

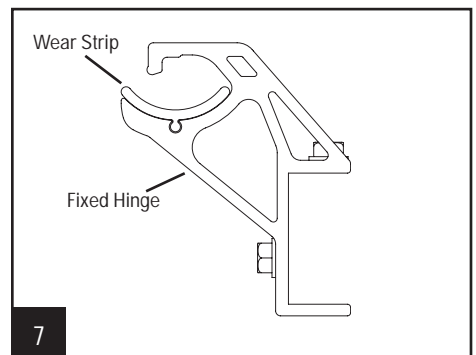
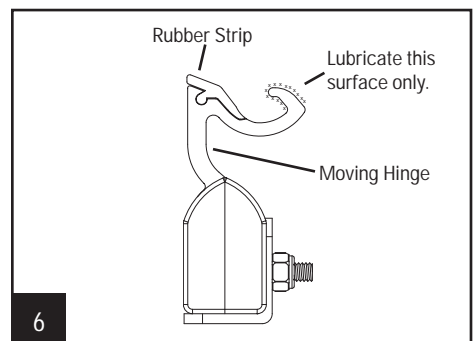
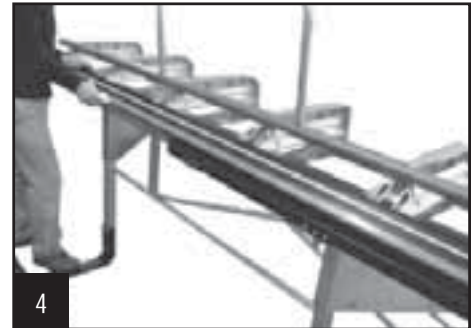
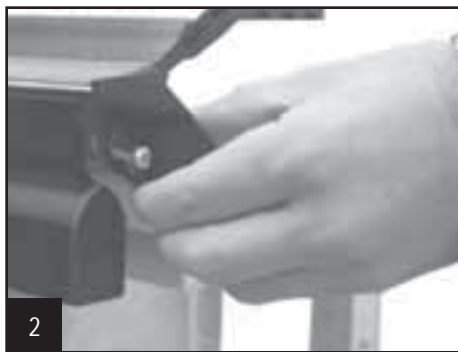
Care and Maintenance

Items Needed

- Clean Cloth
- WD-40® or equivalent
- Phillips Head Screw Driver

Wear Strip and Rubber Strip

- Use a Phillips head screw driver to loosen the screw enough to allow the Endcap to be removed by sliding it off of the screw (see Figure 1 & Figure 2).
- With the Endcap removed, slide the Moving Hinge half way down the length of the Fixed Hinge exposing the Wear Strip and Rubber Strip on the Fixed and Moving Hinges (see Figure 3).
- Use a clean cloth to wipe the portions of the Wear Strip and Rubber Strip that are exposed (see Figures 4-7).
- At this time WD-40® or equivalent should be used on cleaned Moving Hinge surfaces to reduce wear and friction. (see Figure 6)
- Return the Moving Hinge to the working position and repeat steps 1 thru 4, sliding the fixed hinge in the opposite direction.
- Slide Moving Hinge back into working position.
- Reattach Endcaps



Clamping Surfaces

- Clean Clamping Surface each day before using. Use only clean shop towels that are free of dirt, oil and metal chips.
- Do not use your MX Series™ Brake around saw tables as the cuttings may get in between clamping surfaces or hinges and cause excessive wear or material scratching.
- If material is getting scratched, examine the Stainless Bending Edge, Fixed Hinge, or Moving Hinge for roughness or burrs. Remove burrs with emery cloth or replace excessively worn parts.

Transportation

- The MX Series™ Brake should be transported in the unlocked position unless a piece of cardboard or vinyl siding is clamped between the clamping surfaces.