

GABLE VENT KEYSTONE

The Gable Vent Keystone is a decorative accent that fits the following vents:

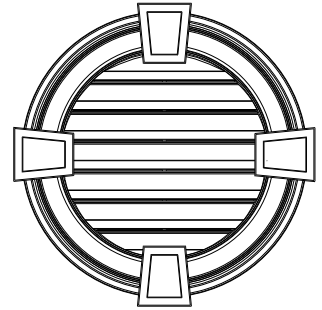
22" Octagon; 22" Round; 22 x 34" Half Round

When trimmed locally the Gable Vent Keystone will also fit the following vents:

18", 27", 32", Octagon; 21 x 27" Oval; 36" Round; 22 x 32" Round Top

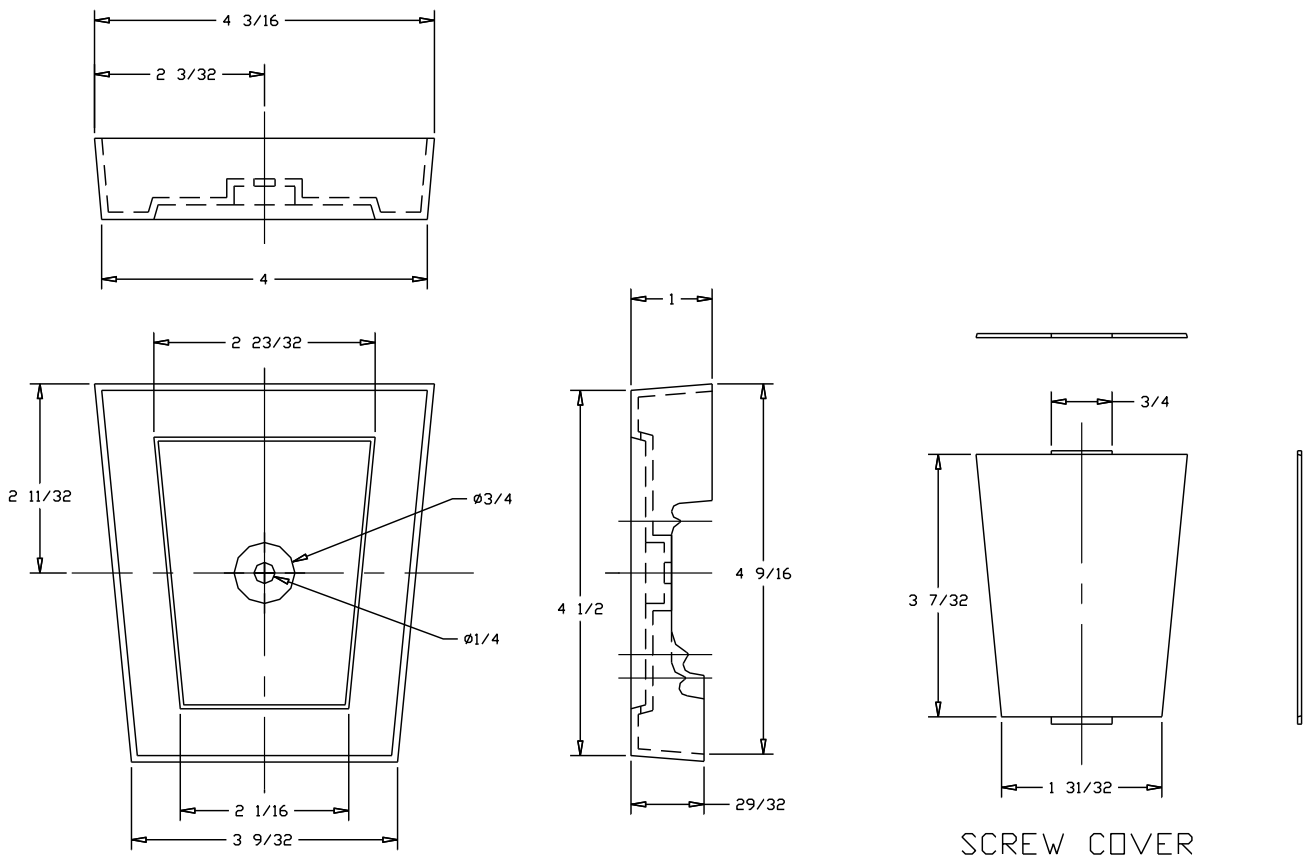
FEATURES:

- Can be trimmed to fit various vent profiles
- Color matched to vent
- Screw cover hides the screw pocket for a finished look
- Paintable version available



SPECIFICATIONS:

- Material: UV stabilized copolymer
 Color molded in
 Brushed woodgrain texture
- Fabrication: Single piece molded construction with screw cover
- Attachment: Single screw into vent housing
- Dimensions: See drawing below



KEYSTONE

SCREW COVER