

### General & Safety Information

- Wear proper personal protective equipment (PPE).
- Operate all tools per manufacturer guidelines.
- Standard woodworking saws and blades can be used for cutting Fypon® polyurethane (PUR) products.
- Fypon PUR parts are NOT load bearing.
- For remodeling applications and alternative facades like stucco, vinyl, etc., please refer to Fypon General Remodeling and Alternate Facade Instructions, which can be found at [fypon.com/install](http://fypon.com/install).
- For best results, finish and allow to dry prior to installation. Refer to Fypon General Finishing Instructions, which can be found at [fypon.com/install](http://fypon.com/install).
- All Fypon products must be installed per the following instructions and finished within 90 days of installation to maintain warranty coverage.

### Tools / Materials

- Pencil
- Tape measure
- Level
- Square
- Hammer or pneumatic nailer
- Nail countersink
- Drill / driver (if using screws)
- Putty knife
- Sandpaper (220-grit recommended)
- Caulk gun
- Exterior-grade polyurethane-compatible sealant and / or filler
- Exterior-grade polyurethane-compatible adhesive (Loctite® PL Premium® recommended)
- Exterior-grade fasteners (trim head screws recommended)

### Installation Instructions

#### 1) Mark installation area.

Hold part in place, make sure it is level and plumb, and mark the desired location (Figure 1A). If the part has a hollow cavity on the back, a mounting block is recommended and should be installed at this time (Figure 1B). Pre-drill any fastener locations if using screws.

Figure 1A

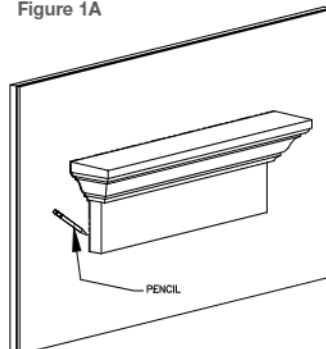
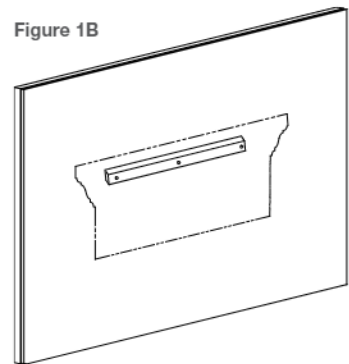


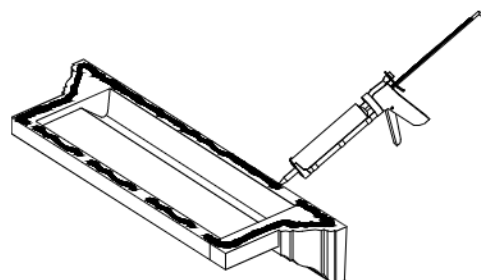
Figure 1B



#### 2) Apply adhesive.

Apply a 1/4" bead of adhesive to the mounting surfaces of the part, leaving gaps at the bottom for water to escape (Figure 2).

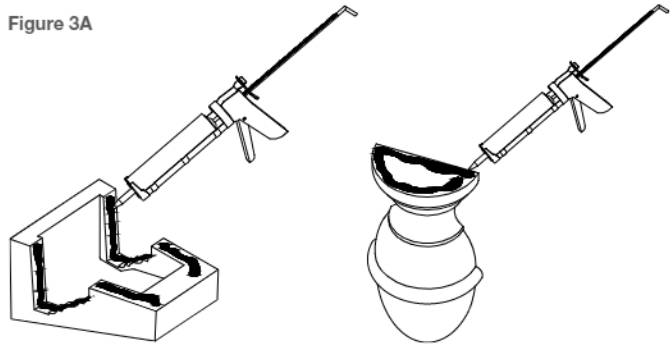
Figure 2



### 3) Attach keystone, acorn or urn (if needed).

Apply adhesive to the keystone, acorn or urn, leaving the bottom open for water to escape (Figure 3A). Place it in the center of the crosshead or pediment and fasten from behind with exterior-grade fasteners (Figure 3B).

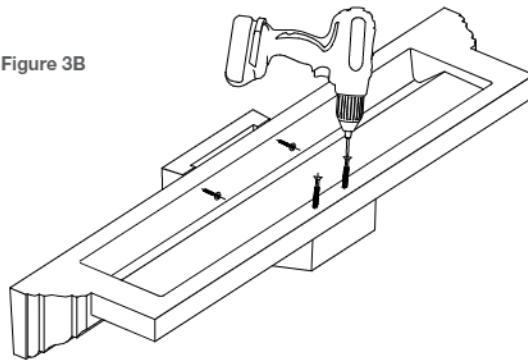
Figure 3A



### 4) Fasten.

Press the part into place and fasten with exterior-grade fasteners (Figure 4), making sure to countersink them below the surface. Fasteners should be no more than 16" apart. Remove any excess adhesive.

Figure 3B



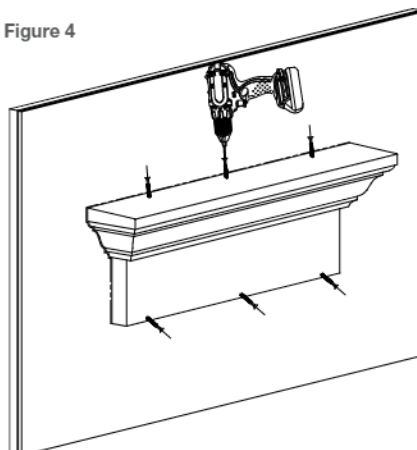
### 5) Fill and sand fastener holes.

Fill fastener holes with filler and sand to match surrounding area, making sure not to remove the primer.

### 6) Touch up or finish.

Refer to Fypon® General Finishing Instructions. If part was finished prior to installation, touch up filled fastener holes with color-matched finish. Caulk around top and sides with sealant, leaving the bottom open for water to escape.

Figure 4



### General & Safety Information

- Wear proper personal protective equipment (PPE).
- Operate all tools per manufacturer guidelines.
- Standard woodworking saws and blades can be used for cutting Fypon® polyurethane (PUR) products. or PVC products.
- Fypon PUR parts are NOT load bearing.
- For best results, finish and allow to dry prior to installation. Refer to Fypon General Finishing Instructions, which can be found at [fypon.com/install](http://fypon.com/install).
- All Fypon products must be installed per the following instructions and finished within 90 days of installation to maintain warranty coverage.

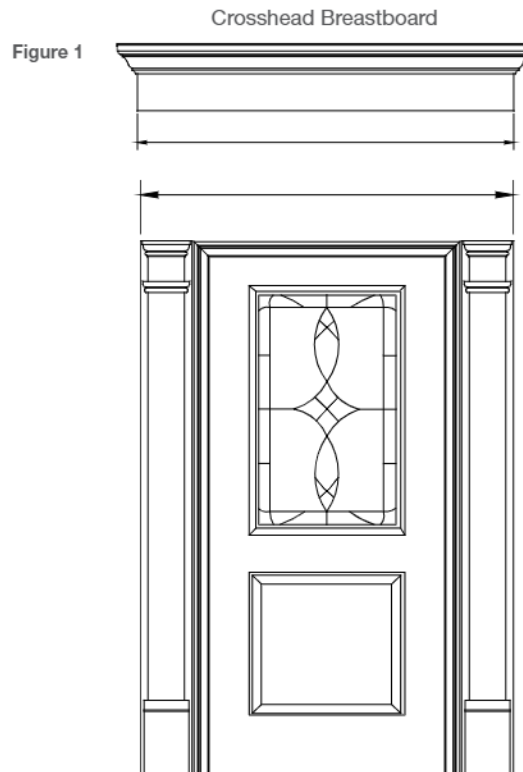
### Tools / Materials

- Pencil
- Tape measure
- Square
- Hammer or pneumatic nailer
- Nail countersink
- Drill / driver (if using screws)
- Putty knife
- Saw
- Sandpaper (220-grit recommended)
- Caulk gun
- Exterior-grade polyurethane-compatible sealant and / or filler
- Exterior-grade polyurethane-compatible adhesive (Loctite PL Premium recommended)
- Exterior-grade fasteners (trim head screws recommended)

### Fabrication Instructions

#### 1) Determine desired crosshead length.

If desired length is not known, measure to the outside of the side trim pieces. For doors, this is typically to the outside of the pilasters. For windows, it is the width of the window, plus any trim. Typically, the final breastboard dimension of the crosshead will be equal to or slightly larger than this dimension (Figure 1).



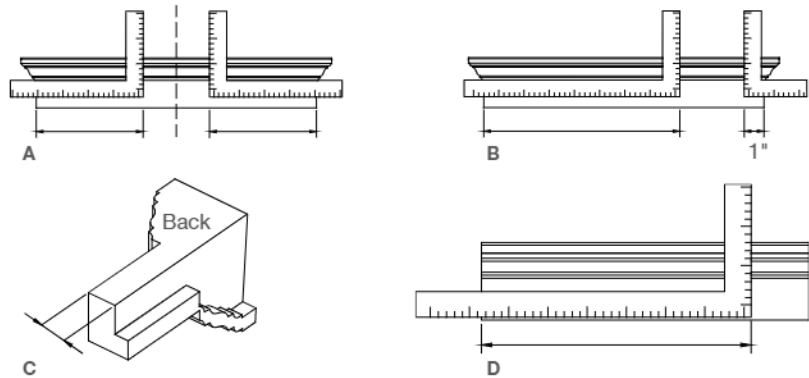
### 2) Cut crosshead.

If a keystone will be attached, divide the measurement in half from Step 1. Use that measurement and measure from the right side of the crosshead's breastboard, mark it using a square, and cut it (Figure 2A). Now do the same from the left side of the crosshead, mark it, and cut it (the section in the middle will be scrap).

If a keystone will not be attached, cut the crosshead so an end piece remains that has a breastboard dimension of 1". Then, measuring from the other end, mark and cut the remaining piece to be 1" less than the measurement from Step 1 (Figure 2B).

If using a trimmable crosshead, measure the back side of each end cap at the breastboard (Figure 2C). Multiply it times 2, subtract that number from the measurement in Step 1 and cut the trimmable crosshead to length (Figure 2D).

Figure 2



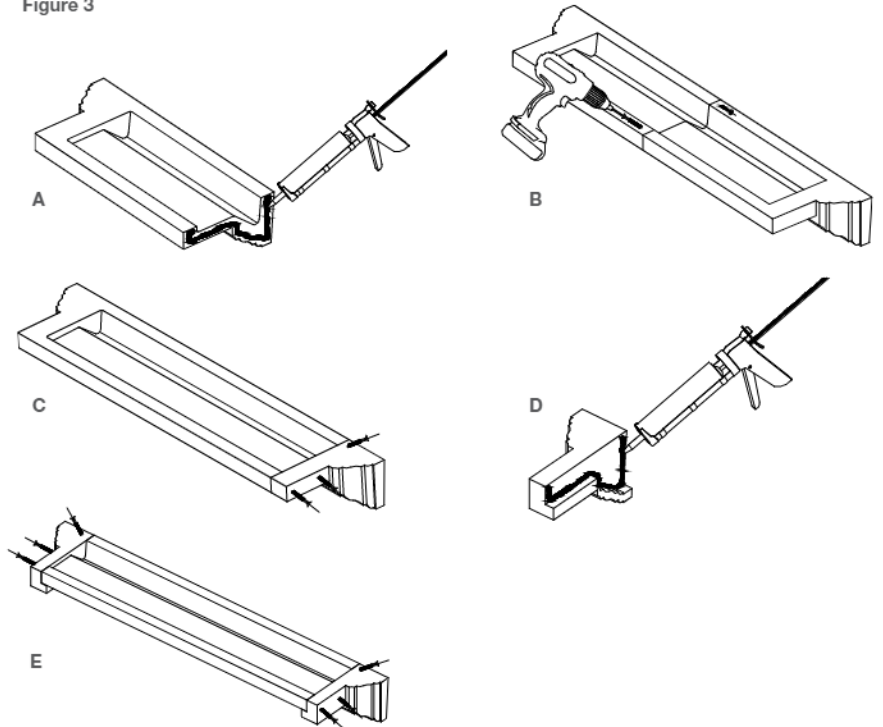
### 3) Assemble crosshead or pediment.

Apply adhesive to the two mating surfaces of the crosshead pieces (Figure 3A). Align the two pieces and press them together and fasten with exterior-grade fasteners (Figure 3B).

If not using a keystone, secure the short piece to the long piece by installing 2" trim screws from the short end (Figure 3C). Remove any excess adhesive. Patch and sand to hide the seam and fasteners.

If using a trimmable crosshead, apply adhesive to the back side of the end caps where they will overlap the trimmable piece (Figure 3D). Fasten with exterior-grade fasteners from the back side (Figure 3E). Remove any excess adhesive. Patch and sand to hide fasteners.

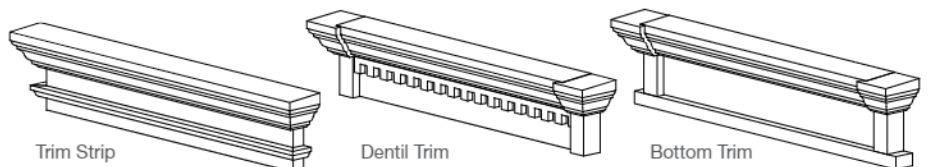
Figure 3



### 4) Attach accessory item (keystone, trim strip, dentil trim, bottom trim).

Cut and fasten accessory item with adhesive and exterior-grade screws. Patch and sand to hide fasteners.

Figure 4



### General & Safety Information

- Wear proper personal protective equipment (PPE).
- Operate all tools per manufacturer guidelines.
- Standard woodworking saws and blades can be used for cutting Fypon® polyurethane (PUR) products.
- Fypon PUR parts are NOT load bearing.
- For remodeling applications and alternative facades like stucco, vinyl, etc., please refer to Fypon General Remodeling and Alternate Facade Instructions, which can be found at [fypon.com/install](http://fypon.com/install).
- For best results, finish and allow to dry prior to installation. Refer to Fypon General Finishing Instructions, which can be found at [fypon.com/install](http://fypon.com/install).
- All Fypon products must be installed per the following instructions and finished within 90 days of installation to maintain warranty coverage.

### Tools / Materials

- |  |   |
|--|---|
| <ul style="list-style-type: none"> <li>• Pencil</li> <li>• Tape Measure</li> <li>• Level</li> <li>• Square</li> <li>• Hammer or pneumatic nailer</li> <li>• Nail countersink</li> <li>• Drill / driver (if using screws)</li> <li>• Putty knife</li> </ul> | <ul style="list-style-type: none"> <li>• Saw</li> <li>• Sandpaper (220-grit recommended)</li> <li>• Caulk gun</li> <li>• Exterior-grade polyurethane-compatible sealant and / or filler</li> <li>• Exterior-grade polyurethane-compatible adhesive (Loctite® PL Premium® recommended)</li> <li>• Exterior-grade fasteners (trim head screws recommended)</li> </ul> |
|--|---|

### Installation Instructions

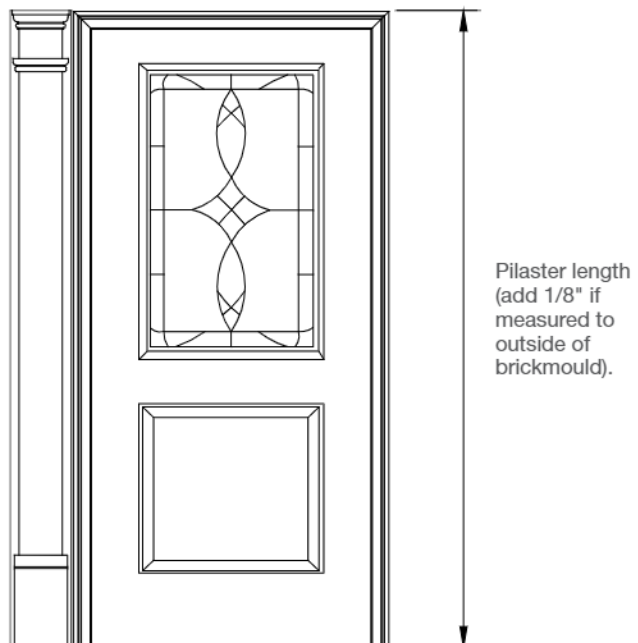
#### 1) Measure and mark pilaster.

To determine the required pilaster length, measure the distance from the landing or porch floor to the top of the door, including brickmould, if applicable (Figure 1). Be sure to also include the height of any transom or over-the-door window. Measure the pilaster from the top and mark the dimension toward the bottom end. If installing around brickmould, mark the pilaster 1/8" longer than the measurement, so it will clear the brickmould and allow water to escape.

#### 2) Cut to length.

Cut the pilaster to length at the bottom end. For concrete floors in colder climates, it is recommended to cut the pilaster slightly shorter to prevent buckling due to frost heave. If cutting down a detached plinth block, also cut it from the bottom.

Figure 1



### 3) Attach plinth block (if detached).

If using a pilaster with a detached plinth block, apply adhesive to the back of the plinth block, position it on the pilaster, and attach it with exterior-grade screws through the back of the pilaster (Figure 3A and Figure 3B).

### 4) Mark installation area.

Hold the pilaster in place, make sure it is level and plumb, and mark the desired location. Pre-drill fastener locations, if required. Spacing between fastener locations should not exceed 16".

### 5) Apply adhesive.

Apply a 1/4" bead of adhesive to the mounting surfaces of the pilaster, leaving the bottom open for water to escape (Figure 5).

### 6) Fasten.

Press the pilaster into place, making sure the tops of the pilasters are level with each other and the top of the door, or 1/8" above the brickmould (Figure 6). Fasten with exterior-grade fasteners, making sure to countersink them below the surface of the pilaster. Spacing between fasteners should not exceed 16". Remove any excess adhesive.

### 7) Fill and sand fastener holes.

Fill fastener holes with filler and sand to match surrounding area, if needed, but be careful not to remove the primer.

### 8) Touch up or finish.

Refer to *Fypon® General Finishing Instructions*. If part was finished prior to installation, touch up filled fastener holes with color-matched finish. Caulk around top and sides (including top of attached plinth block) with sealant, leaving the bottom open for water to escape.

Figure 3A

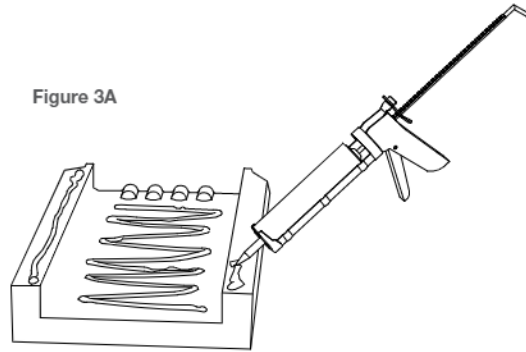


Figure 3B

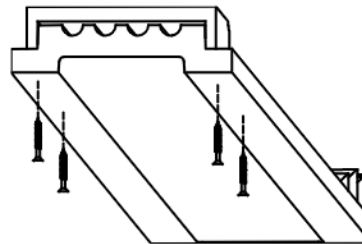


Figure 5

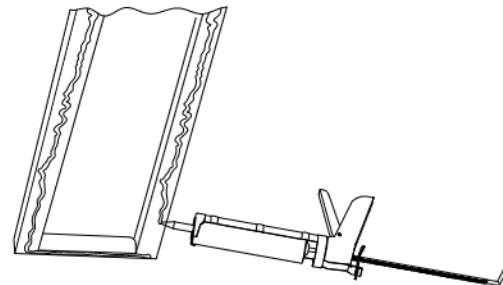


Figure 6

