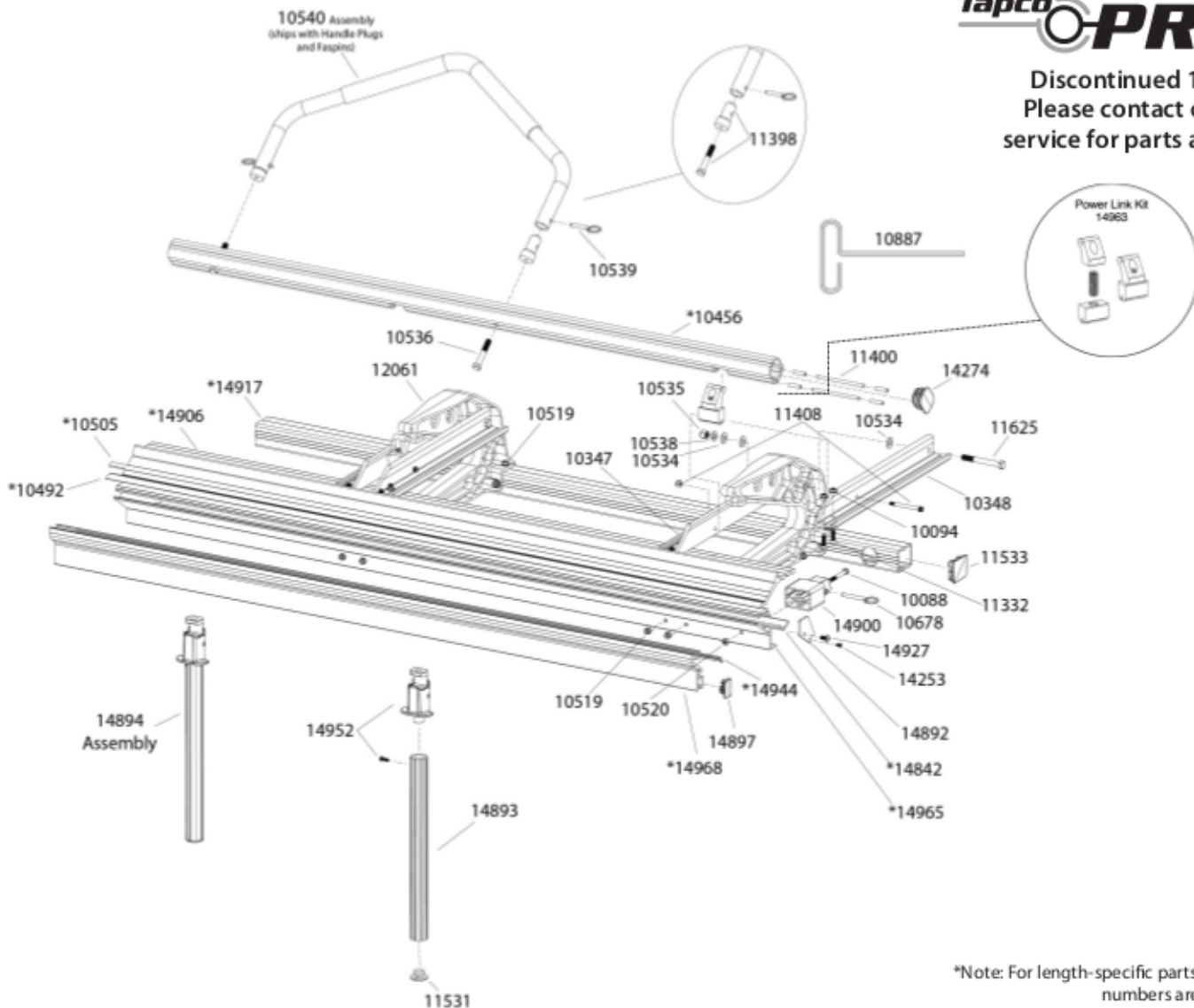


Discontinued 1/1/2014
Please contact customer
service for parts availability.



*Note: For length-specific parts, 10'6" PRO 50 parts numbers are shown in diagram.

Item #	Description
10088	1/4-20 x 2 1/4" Hex Bolt
10094	1/4-20 Hex Flange Nut
10347	Left Pivot Arm
10348	Right Pivot Arm
10491	8'6" Stainless Edge
10492	10'6" Stainless Edge
10493	12'6" Stainless Edge
10504	12'6" Tape Measure
10505	10'6" Tape Measure
10506	8'6" Tape Measure
10519	1/4-20 x 3/4" Hex Wash HD Screw
10534	3/8" Flat Washer
10535	3/8-16 Nylock Hex Nut
10536	3/8-16 X 2 1/4 Hex Bolt
10538	3/8" Lock Washer
10539	1/4" x 1 1/4" Faspin
10540	Hemming Handle Assembly
10678	1/4" x 2" Faspin
10887	T-Handle Hex Key
11332	1/4-20 x 7/8" Flat HD Screw

Item #	Description
11398	Hemming Handle Plug Kit (2) Hemming Handle Plug (2) 3/8-16 x 2 1/4" Bolt
11400	Locking Handle Kit (10) Pin (20) Keeper
11408	Bolt and Nut Kit (5) 1/4-20 x 2 1/2" Bolt (5) 1/4-20 Nylock Hex Nut
11531	Lifting Handle Cap
11533	Back Rail Cap
11625	3/8-16 x 3 1/4" Hex Cap Bolt
12061	C Casting
14253	8-32 x 5/16" Phil Pan HD Screw
14841	Wear Strip 99" MX/Super Max-2 pcs.
14842	Wear Strip 123" MX/Super Max-2 pcs.
14843	Wear Strip 147" MX/Super Max-2 pcs.
10452	8'6" Locking Handle

Item #	Description
10456	10'6" Locking Handle
10460	12'6" Locking Handle
14894	Lifting Handle Assembly
14274	Locking Handle Cap
14900	Lifting Handle Storage
14963	Power Link Kit (6)
14952	Lifting Handle Top
10520	1/4 - 20 Nylock Nut