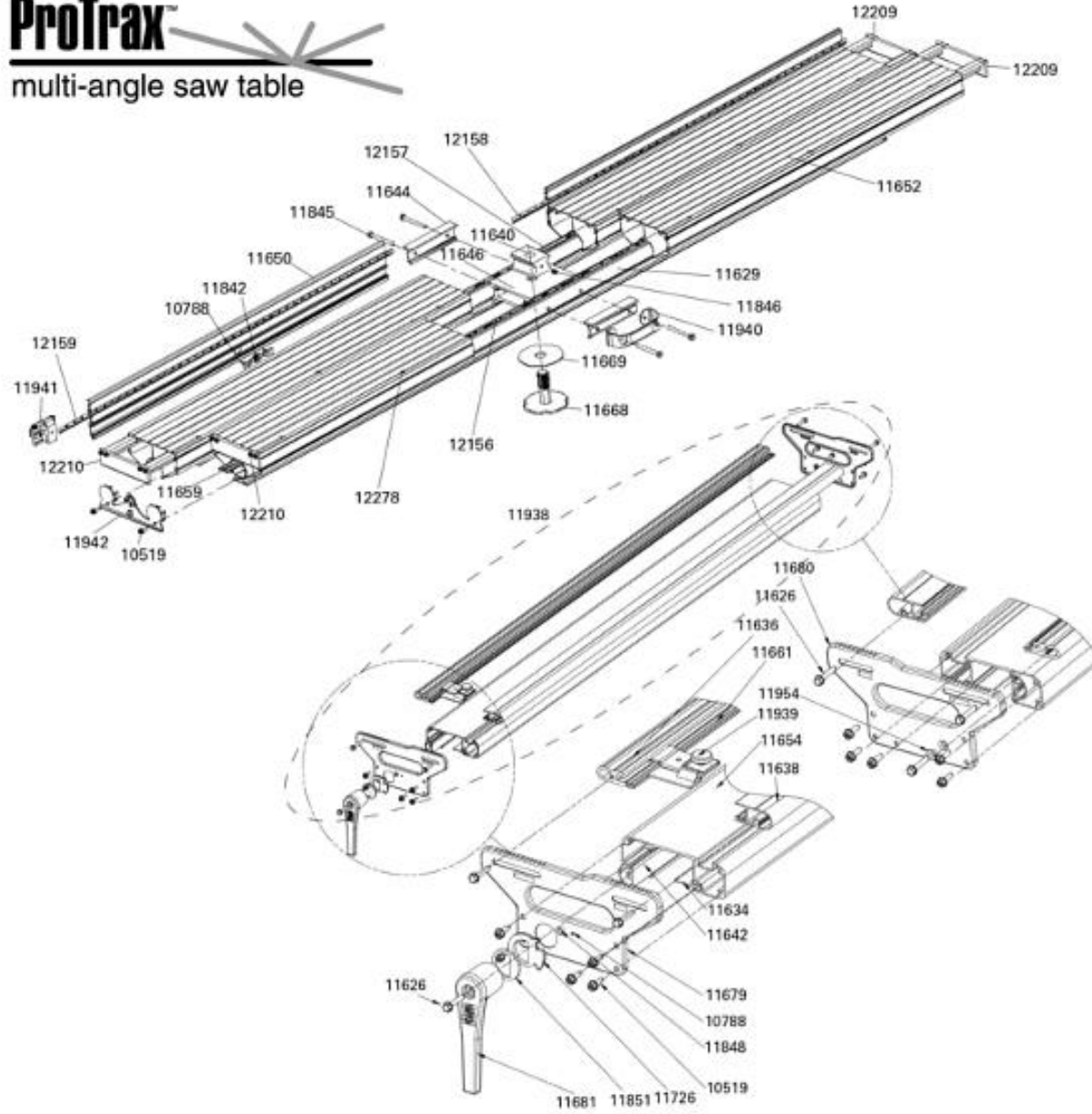


Specifications

ProTrax™
multi-angle saw table



Specifications

Tapco ProTrax Multi-Angle Saw Table Replacement Parts			
Item #	Description	Item #	Description
10519	1/4 -20x3/4" Hex Wash Hd Sc	11726	Boom Handle Collar
10788	1/8" Pop Rivet	11842	Molded Spring Button
11626	1/4 -20 x 1 1/4" Hex HD SC	11845	5/16-18x3" Hex Cap Bolt
11629	Sub Structure	11846	3/8-16x1/2" Set Screw Flat Pnt
11634	Boom Stopper	11848	Spring Button-F152
11636	Saw Track Left	11851	Collar Gasket
11638	Saw Track Right	11855	Boom Labels
11640	Cam Locking Block	11938	ProTrax Saw Boom Assembly
11642	Cam Shaft	11939	Saw Keeper Assembly
11644	Center Mount	11940	Carrying Handle
11646	Center Plate	11941	Material Stop Assembly
11650	Material Fence	11942	Sub Structure End Cap Assembly
11652	Work Surface	11954	ProTrax Bushing
11654	Boom	12156	Long Angle Tape
11659	Sub Structure Wear Strip	12157	Short Angle Tape
11661	Saw Track Wear Strip	12158	Right Fence Tape
11668	Friction Plate Assembly	12159	Left Fence Tape
11669	Rubber Friction Plate	12209	Right Extension Assembly
11679	Boom End Left	12210	Left Extension Assembly
11680	Boom End Right	12278	Spring Plunger
11681	Boom Handle - In Stock Now! Click Here	12279	ProTrax Parts Bag