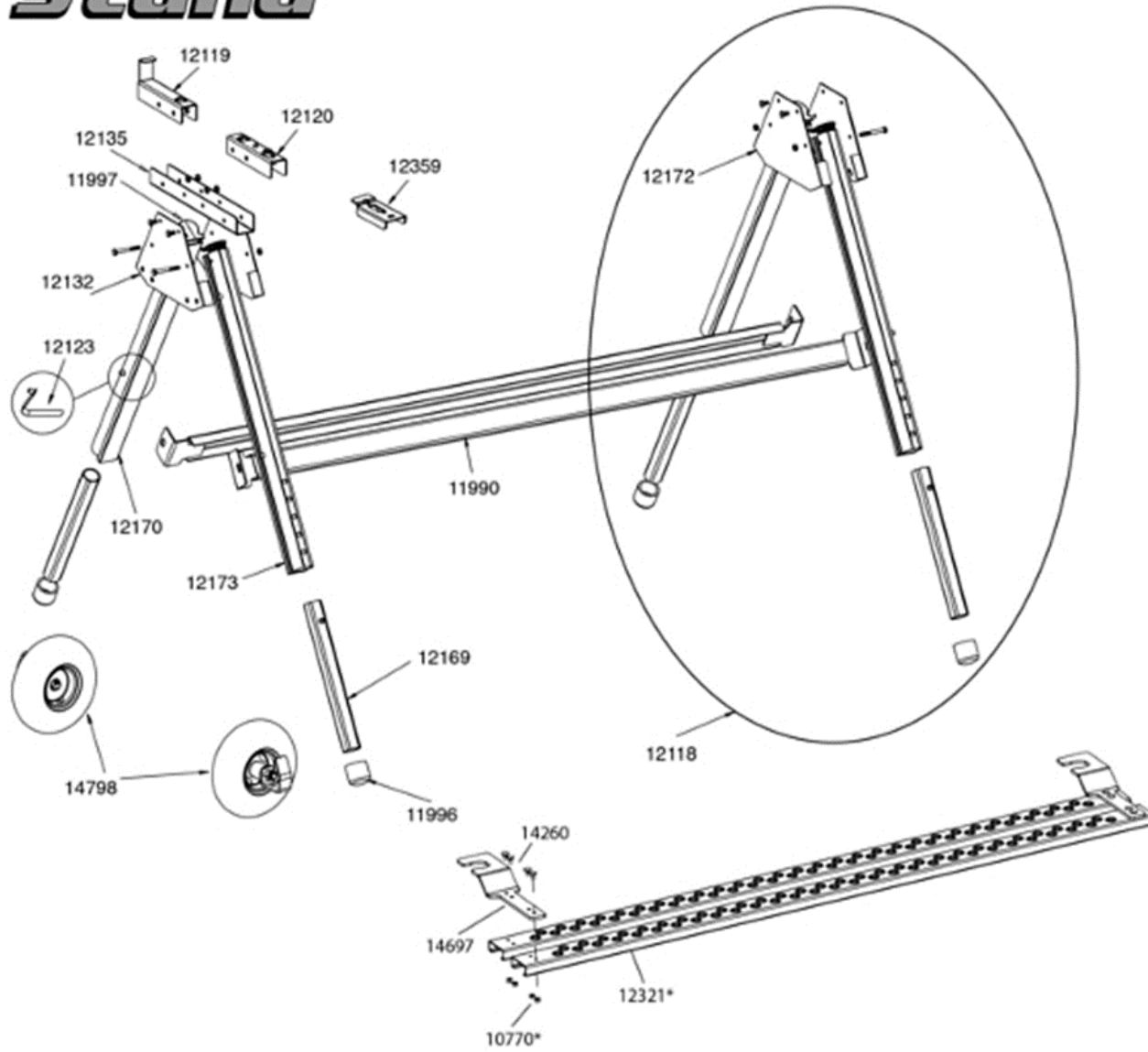


Specifications

Snap Stand

Original Snap Stand
MAX Snap Stand
Port-O-Slitter Snap Stand



Specifications

| Tapco Snap Stand Replacement Parts | | Max Snap Stand Replacement Parts | |
|------------------------------------|----------------------------|--|----------------------------------|
| Item # | Description | Item # | Description |
| 11990 | (1) Cross Brace | 12318 | Max Adaptor Bracket Assembly |
| 11996 | Rubber Leg Cap | 12321 | Counter Balance Step |
| 11997 | Plastic End Cap | 12322 | Max Snap Stand Parts |
| 12111 | Universal Adaptor Kit | 14697 | Counter Balance Step Connector |
| 12118 | Snap Stand Leg Assembly | MAX Slitter Snap Stand Specific Parts | |
| 12119 | Rear Universal Adaptor | Item # | Description |
| 12120 | Front Universal Adaptor | 12210 | Max Slitter Cross Brace Assembly |
| 12123 | Snap Button | 12359 | Max Slitter Snap Stand Adaptor |
| 12132 | Outer Side Plate | Porto-O-Slitter Snap Stand Specific Parts | |
| 12135 | Top Channel | Item # | Description |
| 12169 | Inner Leg Assembly | 12319 | Side Plate Assembly |
| 12170 | Left Outer Leg Assembly | 12344 | 24" POS Cross Brace Assembly |
| 12172 | Inner Side Plate | 12365 | POS Snap Stand Adaptor |
| 12173 | Right Outer Leg Assembly | 12379 | POS Snap Stand Parts Bag |
| 12323 | Snap Stand Parts Bag | | |
| 12404 | Max Snap Stand Upgrade Kit | | |