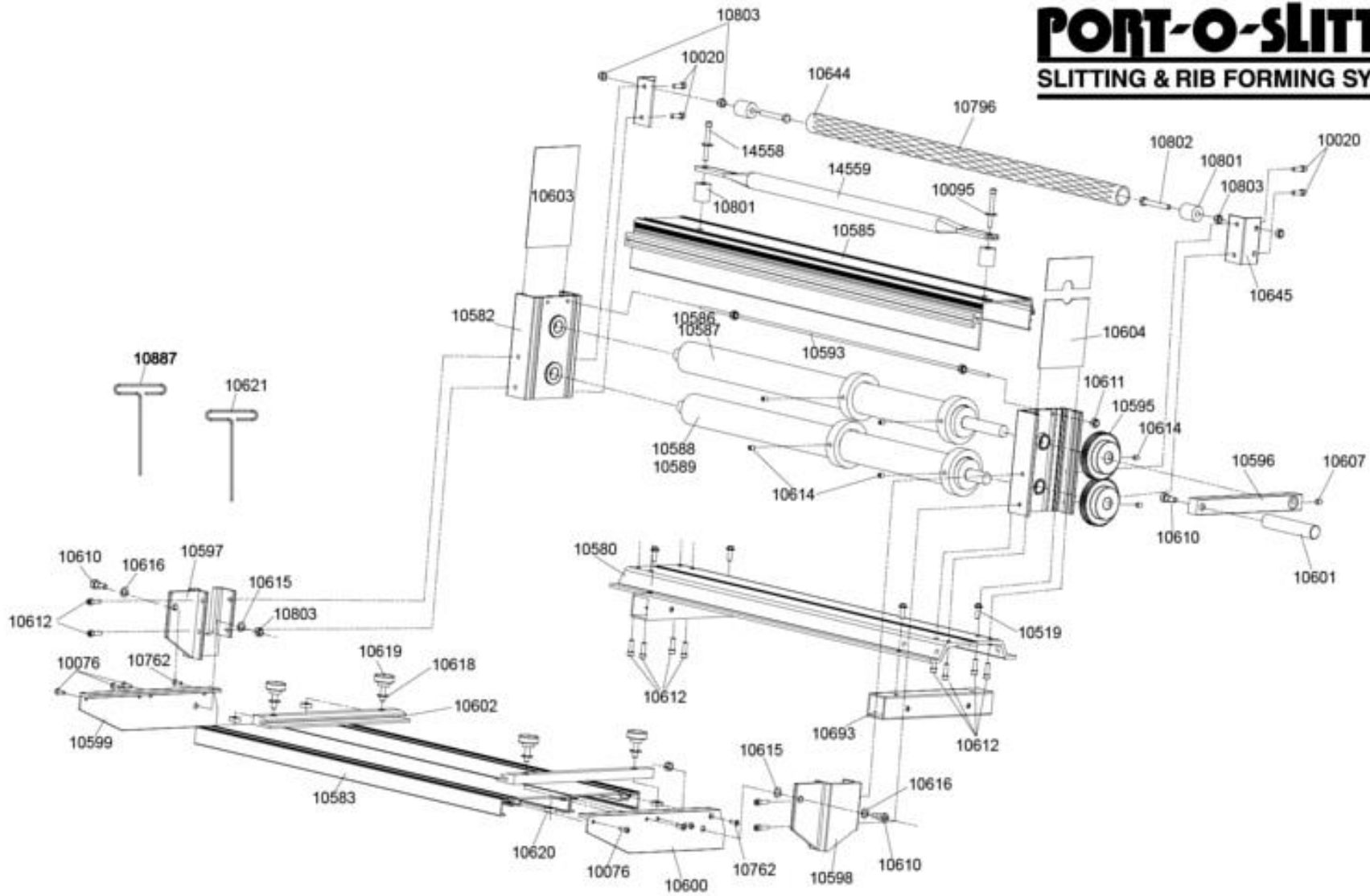


# Specifications

## **PORT-O-SLITTER®** SLITTING & RIB FORMING SYSTEM



## Specifications

Tapco Port-O-Slitter Replacement Parts	
Item #	Description
10020	¼ -20 x 5/8" Hex Button HD
10095	¼" Flat Washer
10519	¼ -20 x ¾" Hex Wash HD
10580	24" Slitter Base
10582	Bearing Support Assembly
10583	24" Coil Table
10585	24" Slitter Top Cover
10587	2" x 24" Upper Shaft
10589	2" x 24" Lower Shaft
10593	24" Tie Bar
10595	Drive Gear
10596	Crank Handle Arm
10597	Pivot Bracket - Left
10598	Pivot Bracket - Right
10599	Table Arm - Left
10600	Table Arm - Right
10601	Crank Handle
10602	Nylon Coil Guide Bar
10603	End Cap - Left
10604	End Cap - Right
10607	5/16 x ½" Sock Set Screw
10610	3/8" Shoulder Bolt
10611	10-24 Hex Nut
10614	5/16-18 x 3/8" Set Screw
10615	3/8 x 1/32" Nylon Washer
10616	3/8 x 1/16" Nylon Washer
10617	5/16-18 x ¾" Hex Cap
10618	5/16 Flat Washer
10619	5/16" Knurled Knob
10620	5/16-18 Square Nut

## Specifications

10621	5/32" Hex T Wrench
10622	Tape Measure 5'6" (not shown)
10623	Cut Off Stop
10624	10-24 x 1/2" Sock Cap Screw
10644	24" Receiver Roller
10645	Receiver Bracket
10693	Base Plate Tube
10762	10-24 x 5/8" Phil Flat HD
10796	Roller Cover
10798	10-24 x 5/8" Phil Pan HD
10801	Roller Tube Insert
10802	5/16-18 x 2-1/4" Hex Bolt
10803	5/16-18 Nylok Hex Nut
10887	3/16 Hex Key Wrench
12046	POS Parts Bag
14558	1/4 -20 x 3/4" Sock Cap
14559	24" Carrying Handle

## Tapco Port-O-Slitter Motor Kit Replacement Parts

Item #	Description
10095	1/4" Flat Washer
10520	1/4 -20 Nylock Hex Nut
10627	Slitter Motor
10628	7/8" Coupling Body
10629	3/4" Coupling Body
10630	Coupling Sleeve
10631	Foot Switch
10632	Foot Guard
10633	Toggle Switch
10634	Slitter motor base
10635	Base Connector
10636	1/4 -20 x 1" Sock Cap
10639	Worm Gear Spacer

# Specifications

10640	Worm Gear Drive
10770	1/4" Lock Washer
10799	1/4 -20 x 1" Hex Wash Hd

**PORT-O-SLITTER®**  
SLITTING & RIB FORMING SYSTEM

