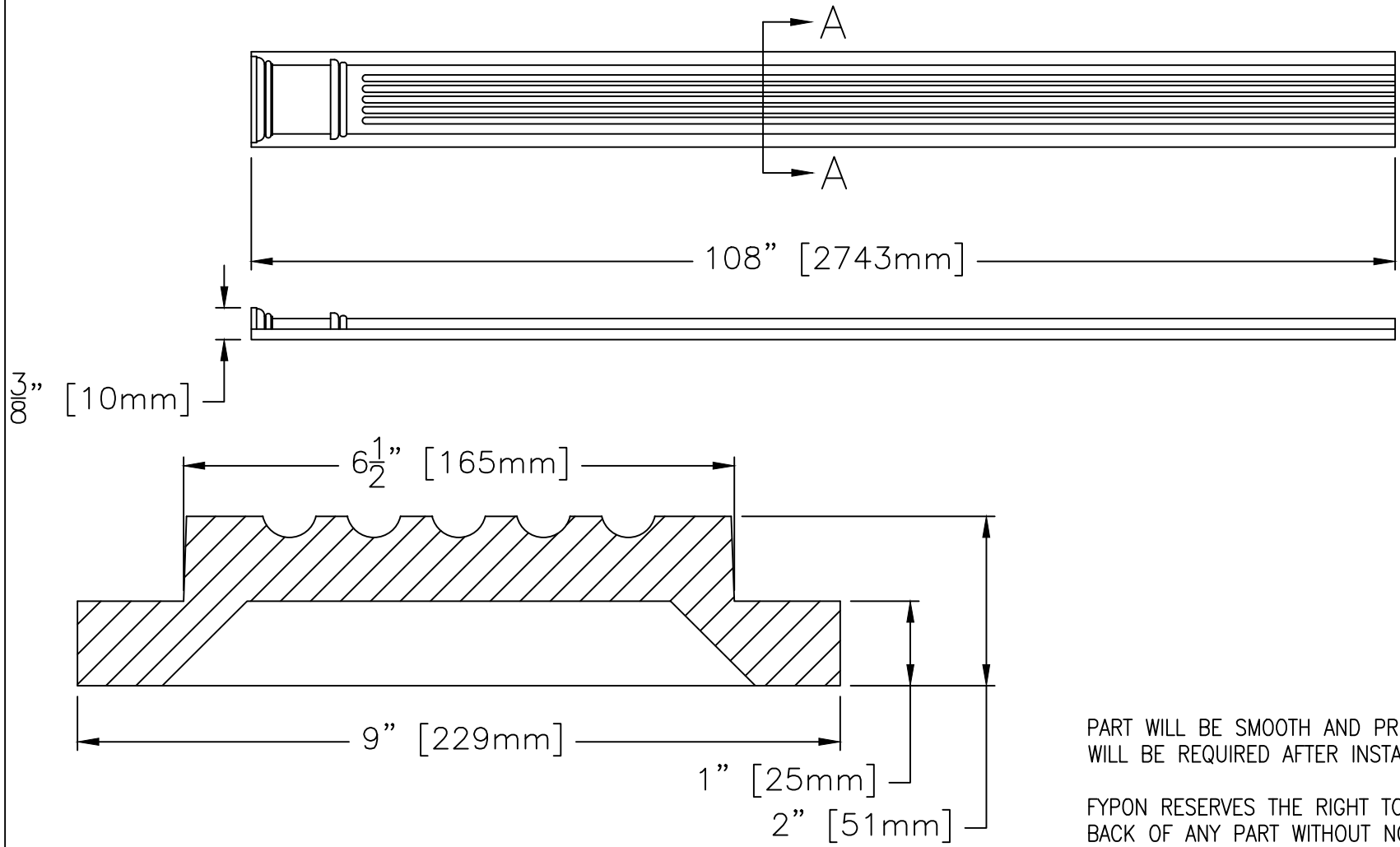


DRAWN BY	REV	DESCRIPTION	DATE	APPROVED BY



PART WILL BE SMOOTH AND PRIMED. FINAL PAINT WILL BE REQUIRED AFTER INSTALLATION.

FYPON RESERVES THE RIGHT TO HOLLOW OUT THE BACK OF ANY PART WITHOUT NOTICE. SOME PRODUCTS MAY BE MADE AS ASSEMBLIES.

PARTNO

TOLERANCES - UNLESS OTHERWISE SPECIFIED				
FEATURE	INCHES		MILLIMETERS	
LENGTH	+ N/A	- N/A	+ N/A	- N/A
WIDTH	+ 1/16"	- 1/16"	+ 2mm	- 2mm
HEIGHT	+ 1/4"	- 1/4"	+ 6mm	- 6mm
PROJECTION	+ 1/16"	- 1/16"	+ 2mm	- 2mm
DIAMETER				
O.D.	+ N/A	- N/A	+ N/A	- N/A
I.D.	+ N/A	- N/A	+ N/A	- N/A

TITLE PIL 9X108 FLUTED PILASTER			
SIZE A	QUOTED ITEM NUMBER	DRWG NO.	REV A
DRAWN BY CDB	CHECKED BY	APPROVED BY	DATE 01/6/92
SCALE NTS	DO NOT SCALE DRAWING		SHEET 1 OF 1
UNLESS OTHERWISE SPECIFIED, ALL DIMENSIONS ARE IN INCHES			