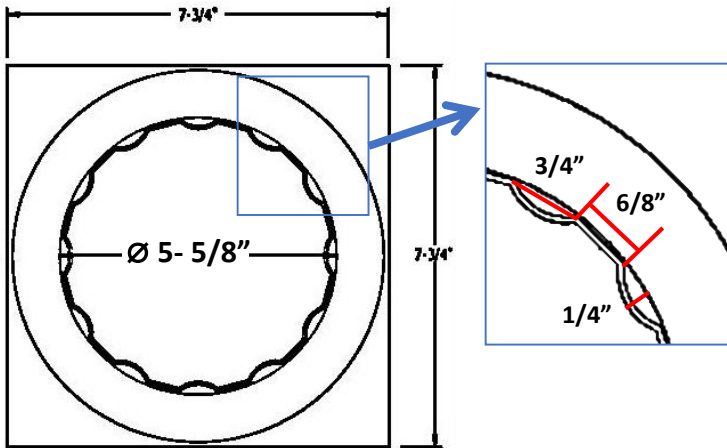


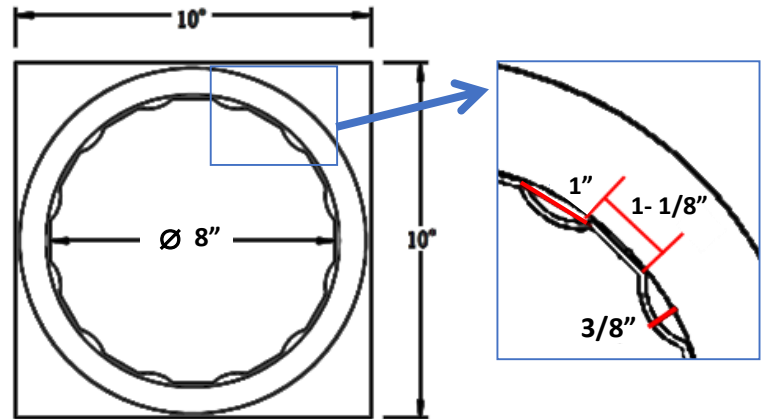
Superior Aluminum round caps and bases are built to fit the corresponding size Superior Round Fluted Column, and may not fit all round columns or objects. The exact dimensions for the flute tabs can be found below. Please consult these sizes before determining if a Superior cap or base is the right fit for your project.

Please Note: The images below depict standard caps and bases. However, all round cap and base options from Superior will feature these same tab dimensions

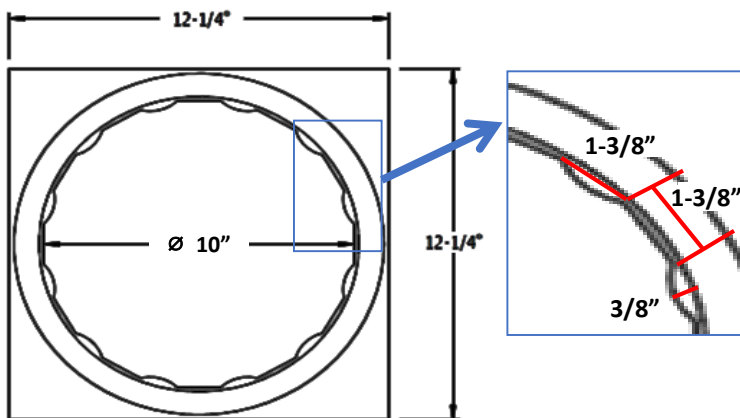
6"



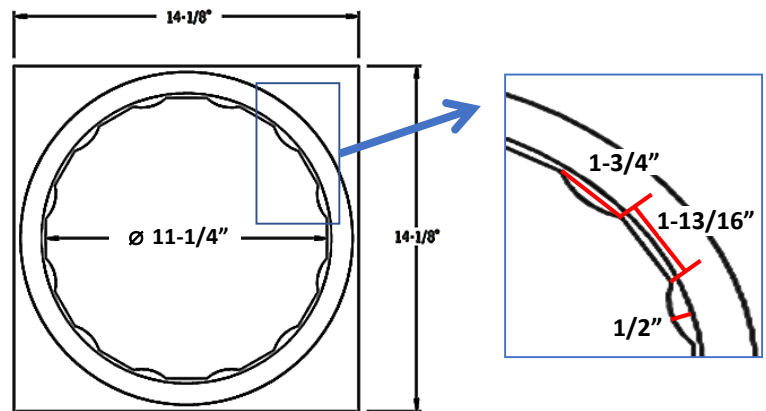
8"



10"



12"



15"

