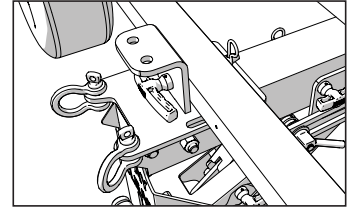




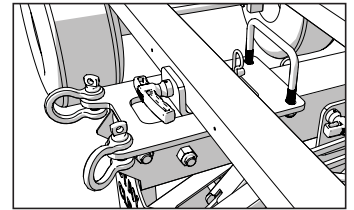
# PENETRATOR

MOBILE FALL PROTECTION

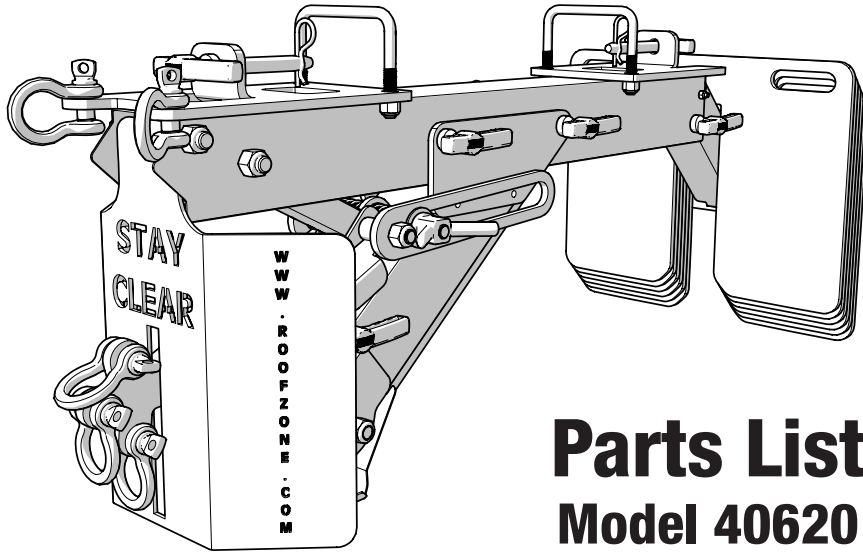
This Parts List Covers Penetrator Models:



**Model 40620-A**  
(Lift handles on the outside)

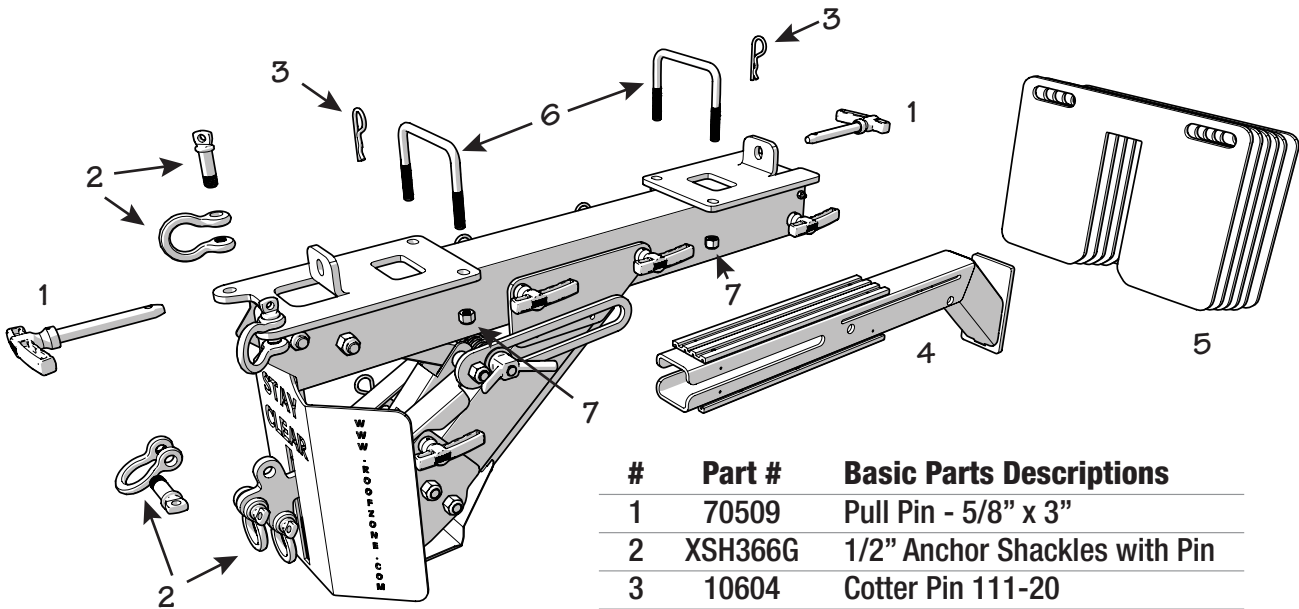


**Model 40620-B**  
(Lift handles on the inside)



## Parts List Model 40620

### Penetrator Basic Components - Parts List



#	Part #	Basic Parts Descriptions
1	70509	Pull Pin - 5/8" x 3"
2	XSH366G	1/2" Anchor Shackles with Pin
3	10604	Cotter Pin 111-20
4	40633	Ballast Slide Assembly
5	40634	Ballast Plates (6 - 24.5 lbs. each) or (5 - 30 lbs. each)
6	84433-1Z	U-bolt
7	10645	Nylock Nut

Instruction #08263 Rev. 3-10-16

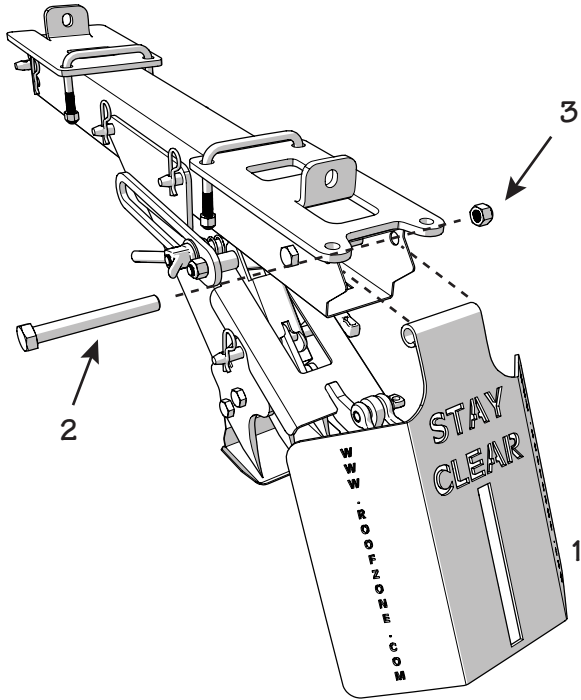
**TIE DOWN ENGINEERING • 255 Villanova Drive SW • Atlanta, GA 30336**  
**www.tiedown.com (404) 344-0000 Fax (404) 349-0401**



031016.E1448

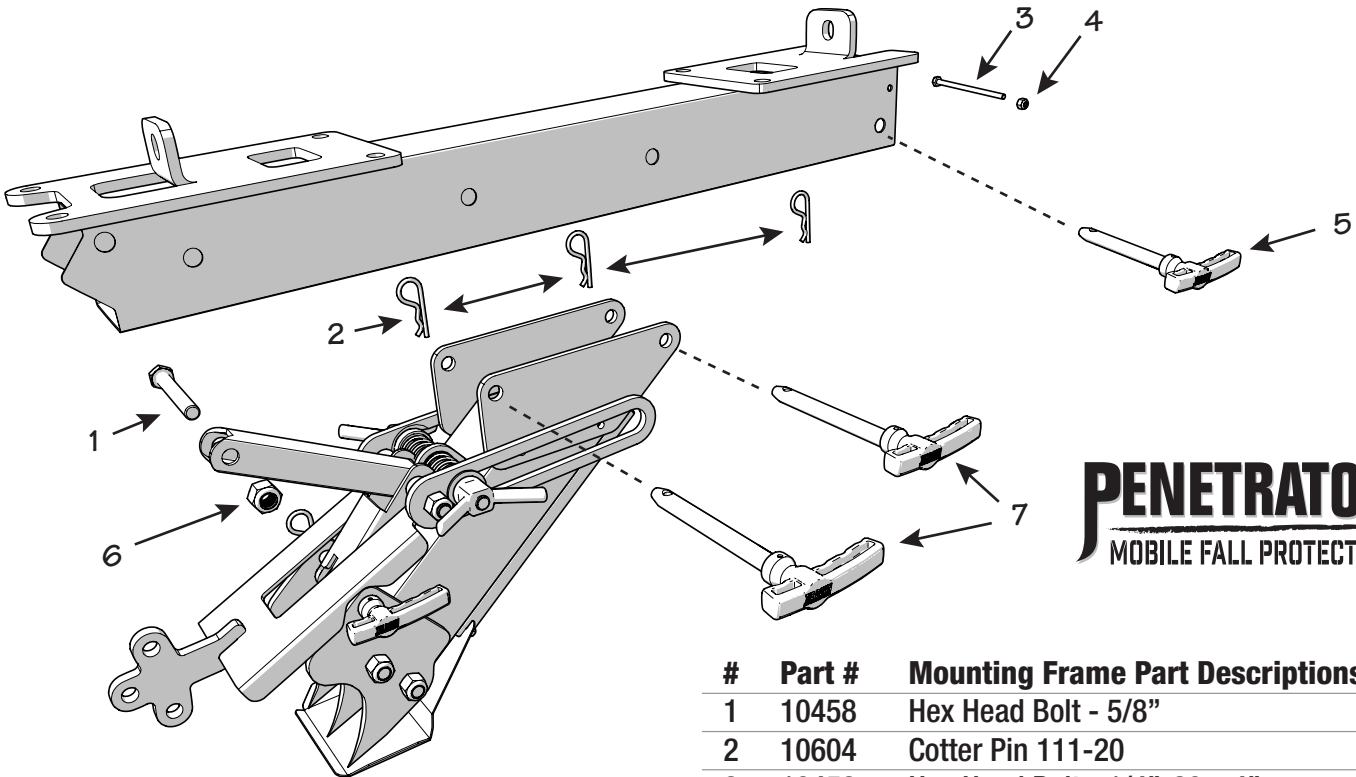
## Face Plate - Parts List

**PENETRATOR**  
MOBILE FALL PROTECTION



#	Part #	Face Plate Part Descriptions
1	40626	Front Guard Plate
2	10458	Hex Head Bolt - 5/8"-11 x 5"
3	10628	Nylock Nut - 5/8"-11

## Mounting Frame Components - Parts List

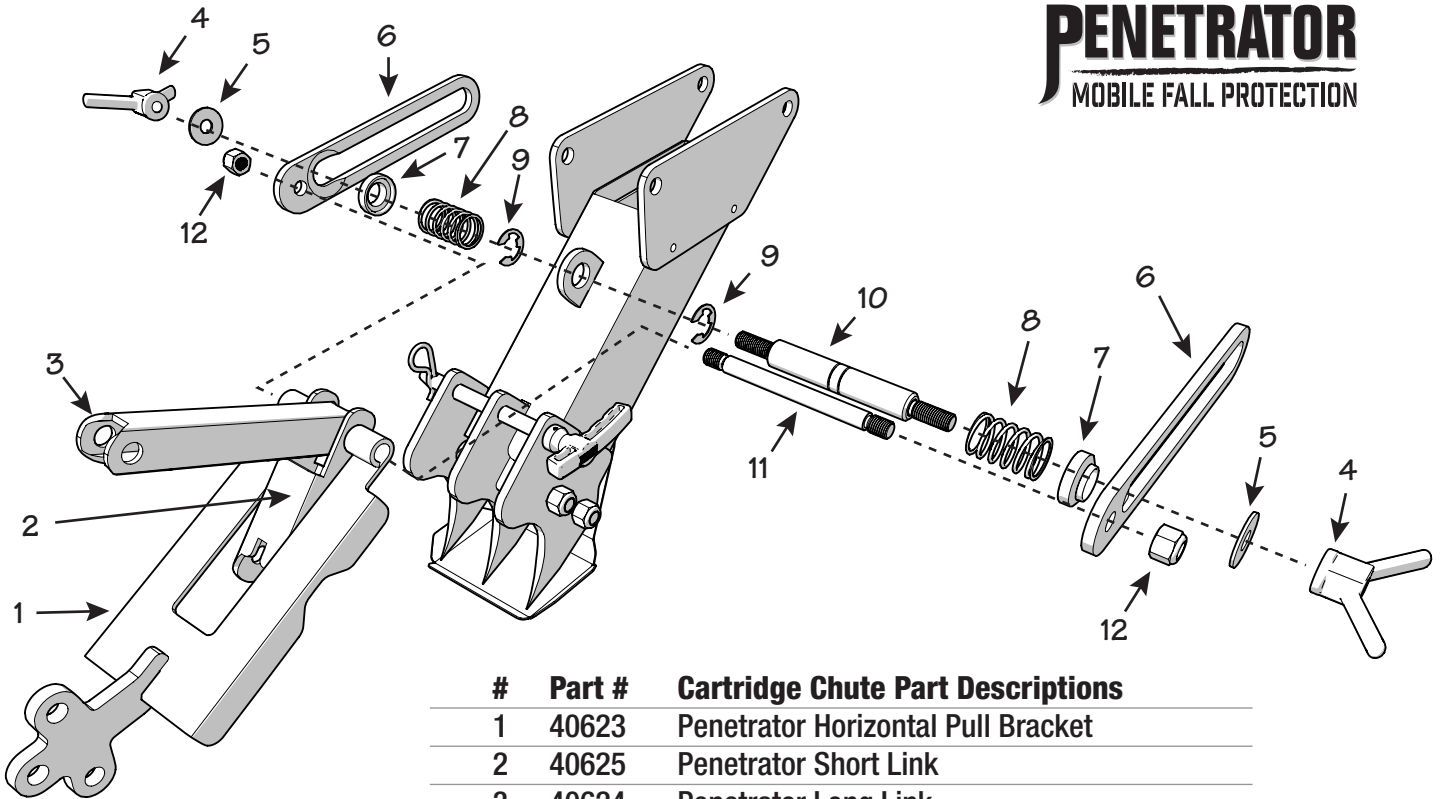


**PENETRATOR**  
MOBILE FALL PROTECTION

#	Part #	Mounting Frame Part Descriptions
1	10458	Hex Head Bolt - 5/8"
2	10604	Cotter Pin 111-20
3	10453	Hex Head Bolt - 1/4"-20 x 4"
4	10027	Nylock Nut - 1/4"-20
5	70509	Pull Pin - 5/8" x 3"
6	10628	Nylock Nut - 5/8"-11
7	70512	Pull Pin - 5/8" x 4"

## Cartridge Chute Components - Parts List

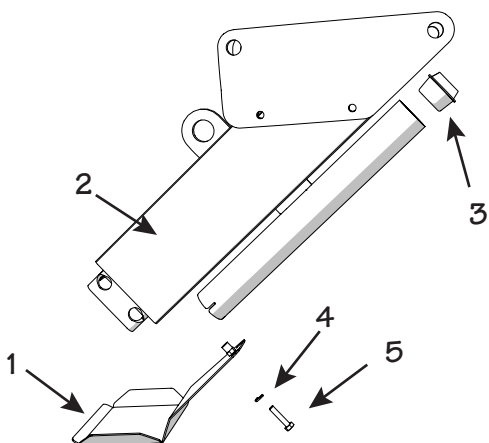
**PENETRATOR**  
MOBILE FALL PROTECTION



#	Part #	Cartridge Chute Part Descriptions
1	40623	Penetrator Horizontal Pull Bracket
2	40625	Penetrator Short Link
3	40624	Penetrator Long Link
4	48683	Wing Nut - 5/8" - 11
5	10513Z	Flat Washer
6	40628	Penetrator Retaining Slide Bar
7	40629	Spring Lock Bushing
8	10132	Compression Spring
9	10800	Snap Clip
10	40630	Dual End Shoulder Bolt 1"
11	40631	Dual End Shoulder Bolt 5/8"
12	10628	Nylock Nut - 5/8" - 11

## Safety Shield Components - Parts List

**PENETRATOR**  
MOBILE FALL PROTECTION

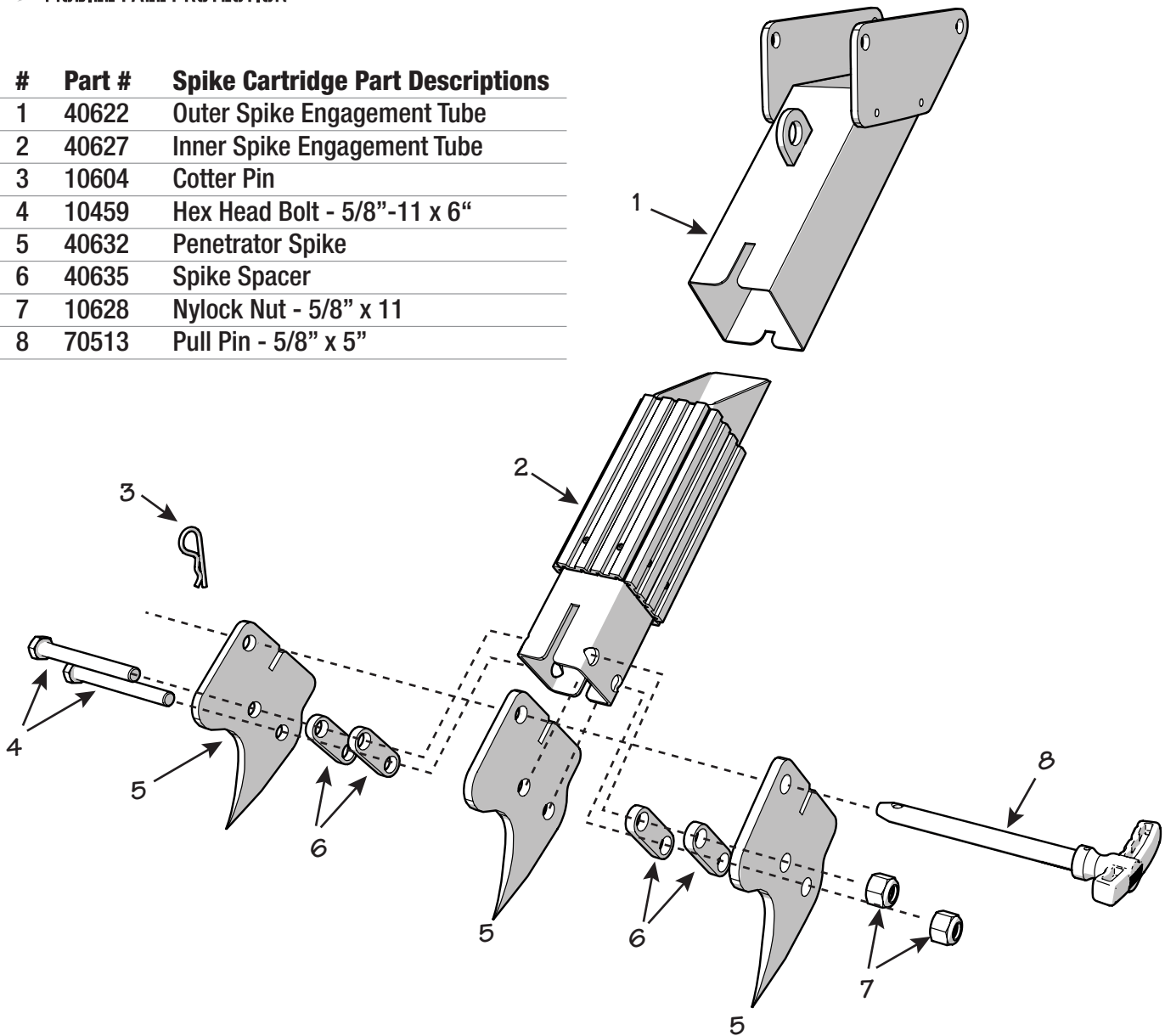


#	Part #	Safety Shield Part Descriptions
1	40636	Spike Safety Guard Shield
2	40622	Outer Spike Engagement Tube
3	17514	Insert Plug
4	12177	Split Washer
5	10814	Hex Head Bolt - M6 x 1" x 30 mm.

## Spike Cartridge Components - Parts List

**PENETRATOR**  
MOBILE FALL PROTECTION

#	Part #	Spike Cartridge Part Descriptions
1	40622	Outer Spike Engagement Tube
2	40627	Inner Spike Engagement Tube
3	10604	Cotter Pin
4	10459	Hex Head Bolt - 5/8"-11 x 6"
5	40632	Penetrator Spike
6	40635	Spike Spacer
7	10628	Nylock Nut - 5/8" x 11
8	70513	Pull Pin - 5/8" x 5"



Roof Zone is a Division of  
**TIE DOWN ENGINEERING**  
 255 Villanova Drive SW • Atlanta, Georgia 30336  
 800-241-1806 • 404-344-0000 • Fax 404-349-0401  
 ISO 9001:2008 Certification  
 Trade, brand names and drawings are the intellectual property of  
 TIE DOWN ENGINEERING. ©2016 TIE DOWN, Inc.  
 Instruction #08263 (E1448 Rev. 3-3-2016)

