

QuickRail® Complete Post Kit

INSTALLATION INSTRUCTIONS



Page 1 of 2

10' and 12' QuickRail Kits should NOT be attached directly to the 4" Complete Post Kit or Post Sleeve. 10' and 12' QuickRail Kits should ONLY be attached directly to the supporting construction (i.e. support column or wall).

Kit Contents:

- (1) 4" x 4" x 38" or 4" x 4" x 44" Post
- (1) Structural Post Mount
- (1) 4" Post Kit Base
- (1) 4" Taper Cap
- (1) 1/2" - 13 x 12" Threaded Rod
- (2) 1/2" Washers
- (1) 1/2" Lock Washer
- (2) 1/2" Hex Nuts
- (16) 2 1/2" Stainless Screws
- (1) 3" x 3" Square Plate with 1/2" hole
- (1) HVU Epoxy Capsule

Materials needed:

- Safety glasses
- Level
- Drill with 1/2" Drill Bit (*Wood application only*)
- Hammer Drill with 5/8" Bit (*Masonry application only*)
- 3/4" Socket (*Masonry application only*)
- Wrench

Wood Deck Application

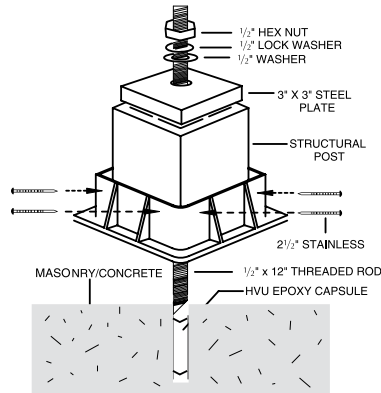
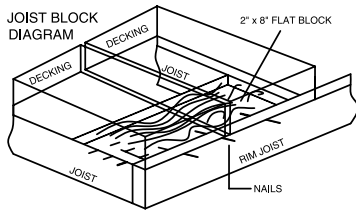
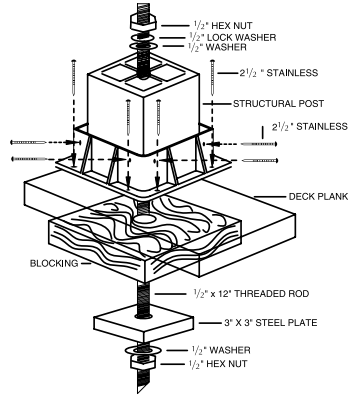
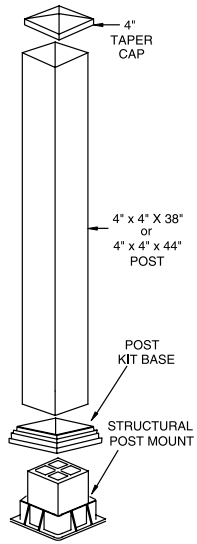
1. Make sure the area under the mounting location has an additional block between the joists directly under the deck surface. (See attached joist block diagram.)
2. Drill a 1/2" hole through wood surface and joist block.
3. Align center hole on post mount with hole in surface. Insert threaded rod with (1) 1/2" washer, (1) 1/2" lock washer and (1) 1/2" hex nut on the top in that order.
4. Slide the 3" square plate flush with the wood blocking (not provided) onto the threaded rod under the mounting surface followed by (1) 1/2" washer and (1) 1/2" hex nut leaving approximately 1" of threaded rod beyond the end of the hex nut. Tighten hex nuts until post mount is secure.
5. Further secure the post mount using (2) of the included 2 1/2" stainless screws on each side of the post mount in the pre-drilled holes.
6. Insert post into post mount and level vertically. Wood shims may be used to stabilize the post in this step. DO NOT SUBSTITUTE ANY POST SLEEVE FOR THE ONE PROVIDED IN THE KIT.
7. Secure post in post mount using (2) of the included 2 1/2" stainless screws on each side of the post mount (do not drill into middle of post mount). Note: Position screws at different heights so that screws do not overlap one another. It may be necessary to drill a 1/8" pilot hole.
8. Slide the post kit base trim collar down the post and over post mount.
9. Attach taper cap to post sleeve with PVC glue (not included). Note: If attaching Grab Rail to post sleeve, secure taper cap after Grab Rail is installed.

Masonry Application

1. Determine the mounting location for the center of the post mount and hammer drill a 5/8" hole 4 1/4" deep for the provided epoxy capsule
Note: 1/2" drill bit can be used, but hole must be reamed out to accommodate 1/2" threaded rod. Clean dust out of hole before inserting epoxy capsule. (Place unopened HVU epoxy capsule into hole – DO NOT OPEN).
2. Thread a nut on the threaded rod. Place a washer on top of the first nut and then thread a second setting nut down on top of the washer. Tighten the two nuts together "locking" the washer between them. The top nut should be flush with the top of the threaded rod. Insert a square drive shaft into the hammer drill and attach the proper drive socket. At the rotary hammer drill setting, engage the top nut of the threaded rod assembly with the socket and drive the threaded rod down through the HVU epoxy capsule. Stop drill rotation immediately when rod stalls. A socket wrench or any adjustable wrench will work as well (threaded rod will mix with epoxy for full set). Remove hex nuts and washer from threaded rod. Curing times: 20 minutes above 68 degrees, 30 minutes above 50 degrees, 1 hour above 32 degrees, 5 hours above 23 degrees (Fahrenheit).
3. Slide the post mount into position on the threaded rod.
4. Place 3" square plate, (1) 1/2" washer, (1) 1/2" lock washer in that order onto the threaded rod and secure the post mount by tightening down with (1) 1/2" hex nut.
5. Follow steps 6-9 of the Wood Deck Application instructions.

Continued on next page

QuickRail Complete Post Kit *Continued*



IMPORTANT:

Please read these installation guidelines thoroughly before beginning installation. Please note that these guidelines are provided only to assist with the installation of Fypon moulding and millwork products. Modified procedures may be required in order to meet specific situations, unique applications and local building codes. The manufacturer does not, under any circumstances, warrant the installation of its products. Be sure to wear appropriate protective clothing, gloves and safety glasses when working with any tools. Installer should check for and relocate all electrical wiring within the proposed installation area, as needed (be sure to disconnect all electric power before working with any electrical wiring and follow all applicable local electrical codes and safety procedures).