

## General Spec Sheet:

### 12" x 18" (305mm x 457mm) Vent

The 12" x 18" (305mm x 457mm) Vent is a functional and decorative vent designed to provide unforced free airflow ventilation of attics or similar spaces when used in conjunction with proper soffit ventilation practices. Local ventilation codes apply when installing this unit.

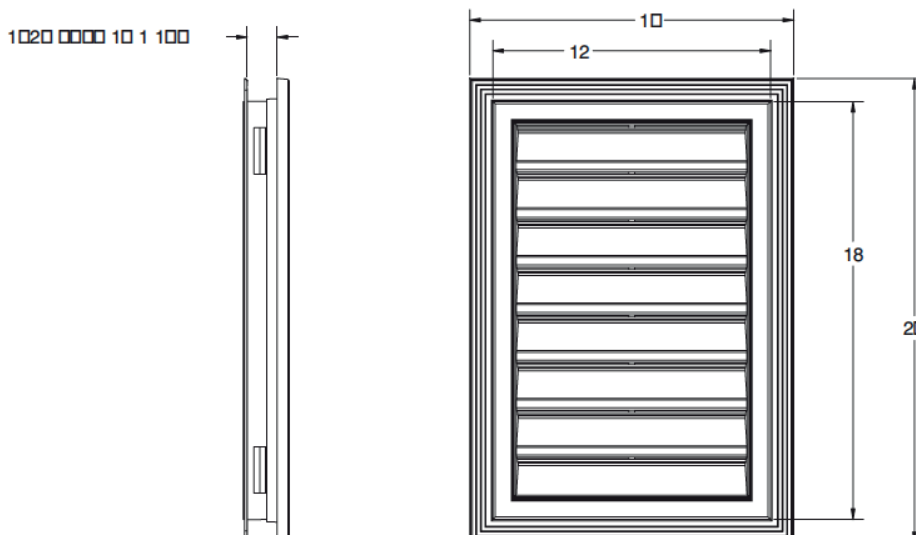
#### FEATURES:

- Easy to install on all types of exteriors
- Single unit body construction of vent housing
- J-Channel eliminated
- Double baffles for increased weather resistance
- Fully screened for complete insect protection
- Finish trim ring adjusts for a range of siding thickness

#### SPECIFICATIONS:

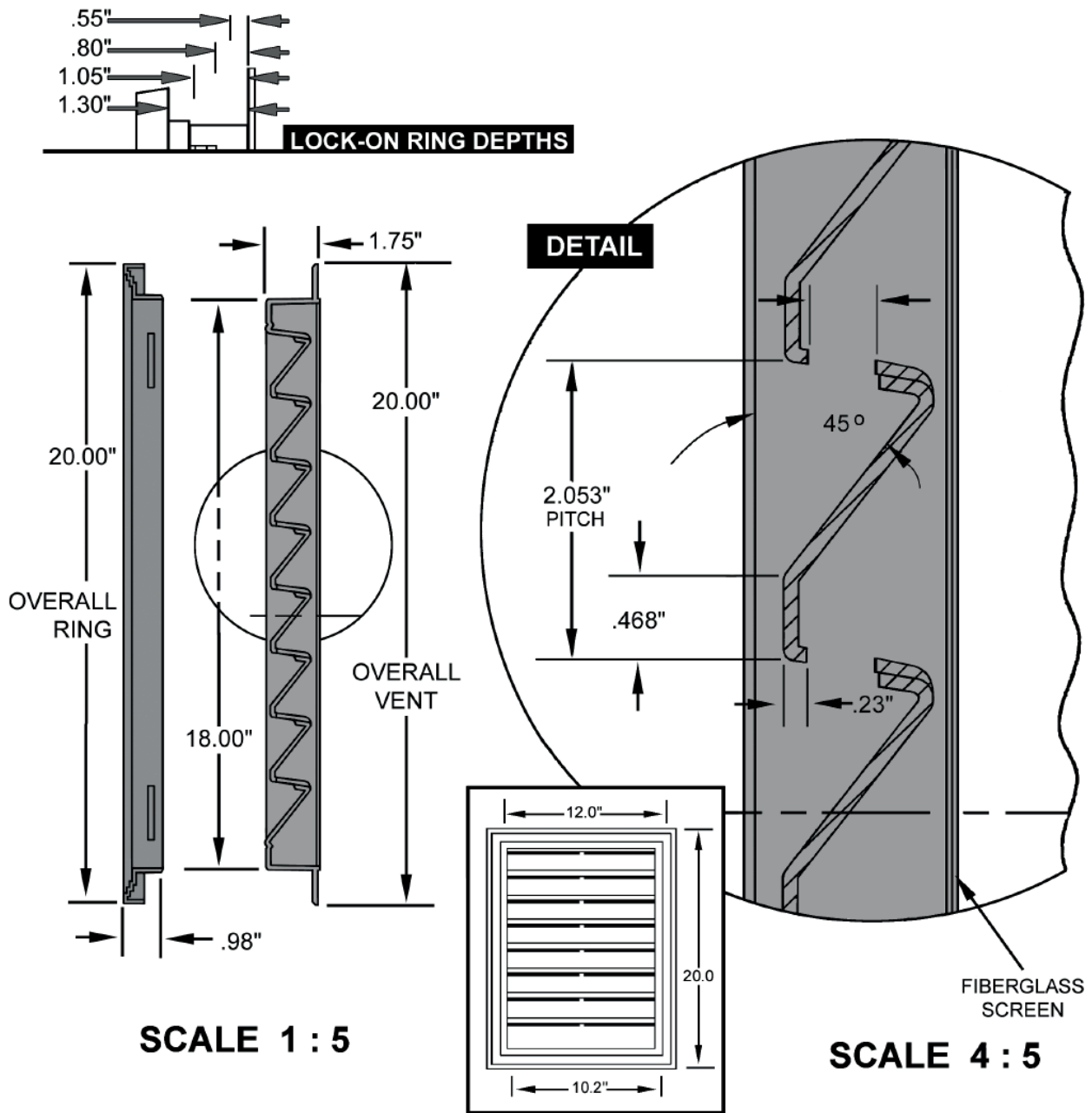
Material:	Vent	UV stabilized copolymer; colour moulded in; .100" (2.54mm) nominal wall
	Ring	UV stabilized copolymer; colour moulded in; .100" (2.54mm) nominal wall
	Baffle	Black PP; .025" (.635mm) wall
	Screen	Fiberglass; 18" x 16" (457mm x 406mm) mesh
		Paintable/Stainable HIPS available
Fabrication:		Single piece molded unit
		Baffle and screen sealed to interior side of unit
		Trim ring single piece molded unit
Attachment:		Screw or nail directly to any surface
Packaging:		1 assembly per box
Vent Free Area:		49 sq. in. (31613 sq. mm)
Rough Opening:		8" x 8" (203mm x 203mm)
U.S. Patent No:		4,875,318; 5,349,799
Can. Patent No:		1,280,024
Dimensions:		

12 X 18 CLASSIC STYLE



# 12" x 18" (305mm x 457mm) Classic Vent

Net Free Area: 49 sq. in. (31613 sq. mm)



## General Spec Sheet:

### 12" x 18" (305mm x 457mm) Replacement Vent

The 12" x 18" (305mm x 457mm) Replacement Vent is a functional and decorative vent designed to provide unforced free airflow ventilation of attics or similar spaces when used in conjunction with proper soffit ventilation practices. Local ventilation codes apply when installing this unit.

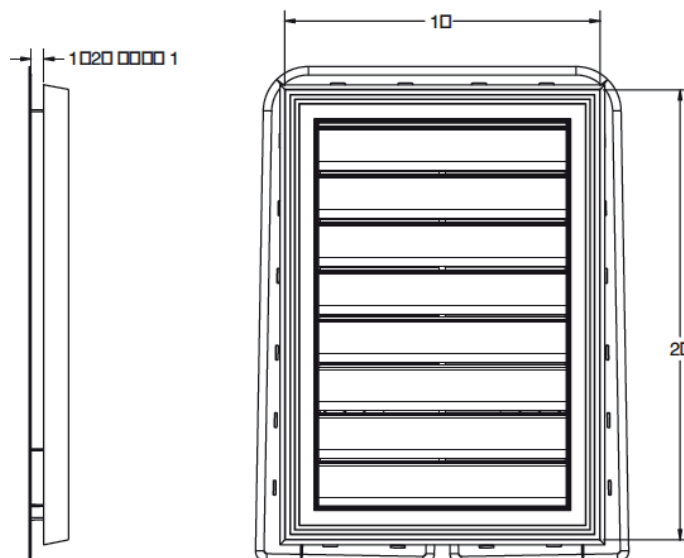
#### FEATURES:

- Easy to install on all types of exteriors
- Single unit body construction of vent housing
- J-Channel eliminated
- Double baffles for increased weather resistance
- Fully screened for complete insect protection
- Finish trim ring adjusts for a range of siding thickness

#### SPECIFICATIONS:

Material:	Vent	UV stabilized copolymer; colour moulded in; .100" (2.54mm) nominal wall
	Ring	UV stabilized copolymer; colour moulded in; .100" (2.54mm) nominal wall
	Baffle	Black PP; .025" (.635mm) wall
	Screen	Fiberglass; 18" x 16" (457mm x 406mm) mesh
		Paintable/Stainable HIPS available
Fabrication:		Single piece moulded unit
		Baffle and screen sealed to interior side of unit
		Trim ring single piece moulded unit
Attachment:		Screw or nail directly to any surface
Packaging:		1 assembly per box
Vent Free Area:		52 sq. in. (33548 sq. mm)
Rough Opening:		8" x 8" (203mm x 203mm)
U.S. Patent No:		4,875,318; 5,349,799
Can. Patent No:		1,280,024
Dimensions:		

12" X 18" Replacement Vent

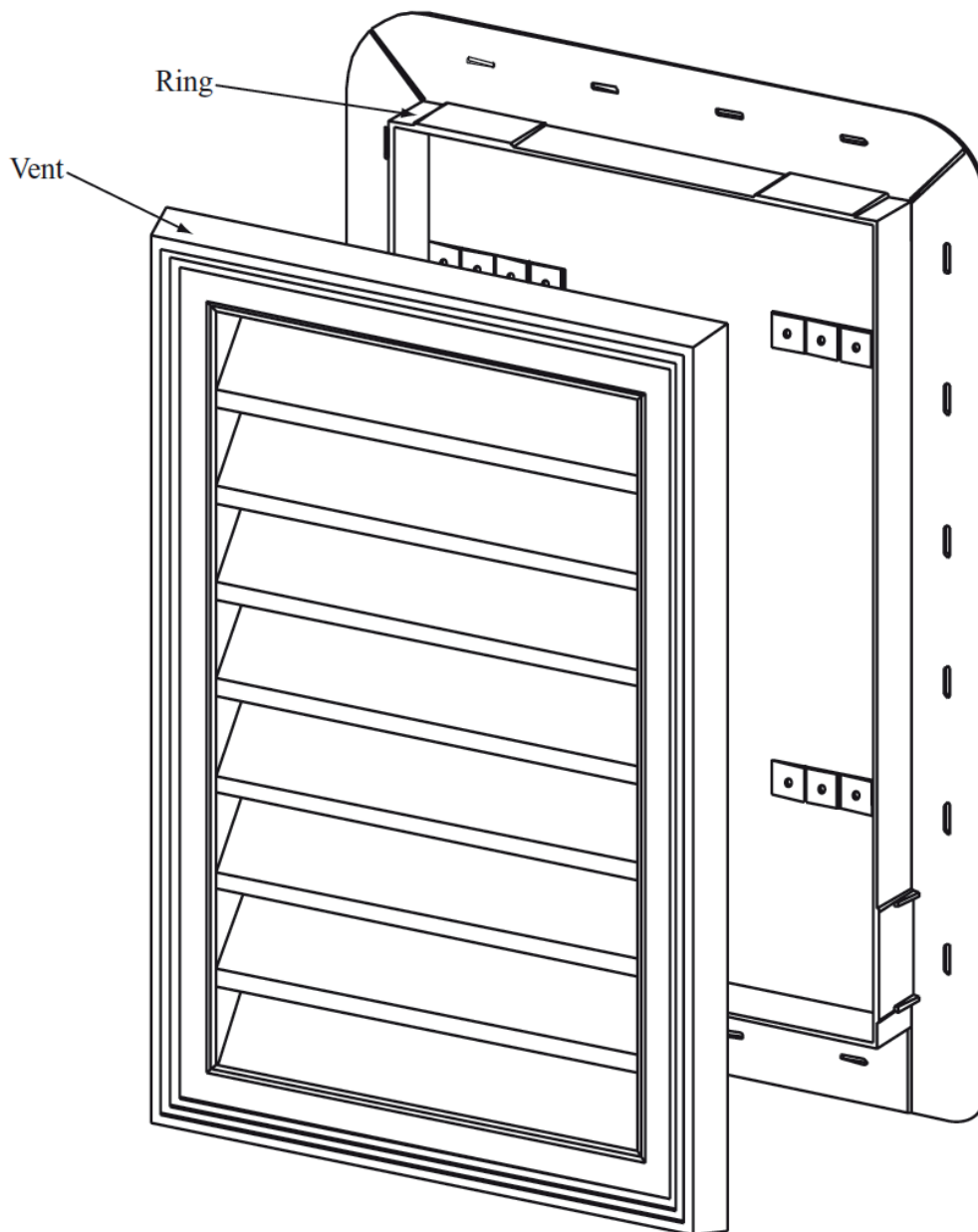


# 12" x 18" (305mm x 457mm) Replacement Vent Installation Instructions

- Allows replacement of old vent without replacing siding

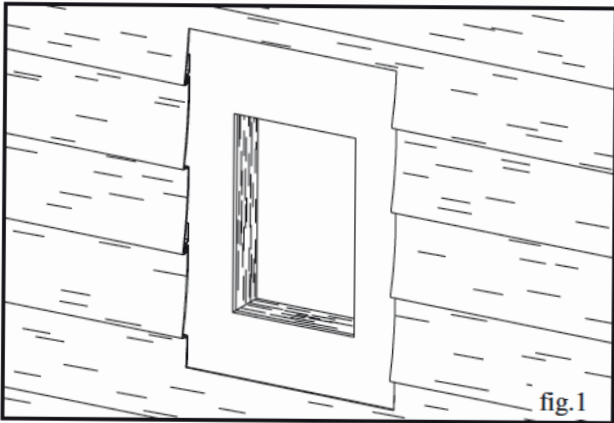
- Available in over 140 colours plus paintable and stainable versions

**NOTE:** Only apply paint to specially labelled "PAINTABLE" versions of this vent. Due to damage that can occur from ultraviolet light, paintable versions of this vent must be painted.



## Step 1: Removing the old vent

When removing the old vent, be sure not to damage the siding around the vent. There must be a hole in



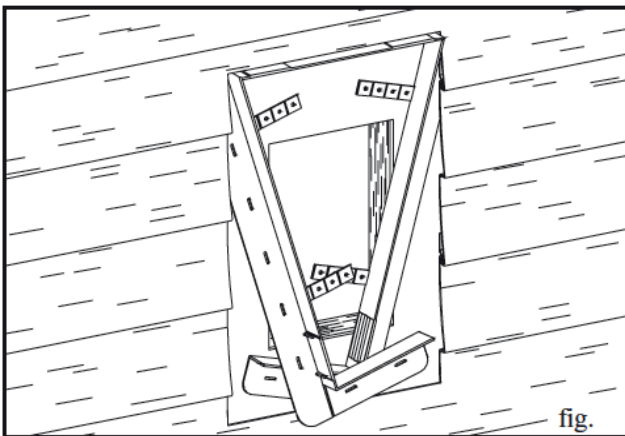
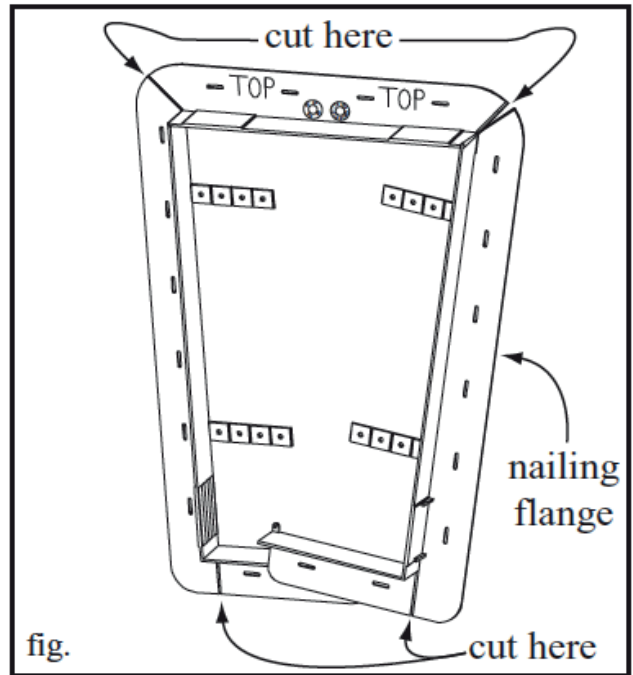
the siding that is 12 inches (305mm) wide and 18 inches (455mm) high. The opening in the sheathing must be at least 7 inches (175mm) wide and 8 inches (205mm) high. See figure 1.

**Step 2: Preparing the ring**

There are four grooves in the ring, one at each corner of the nailing flange. Cut along these grooves to

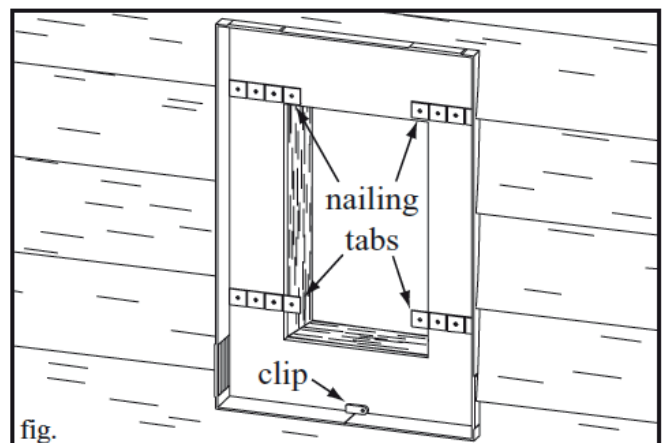
make the ring flexible so that it will slide between the siding and sheathing. Only cut through the nailing flange on the ring. Do not cut through the upright wall on the ring. See figure 2.

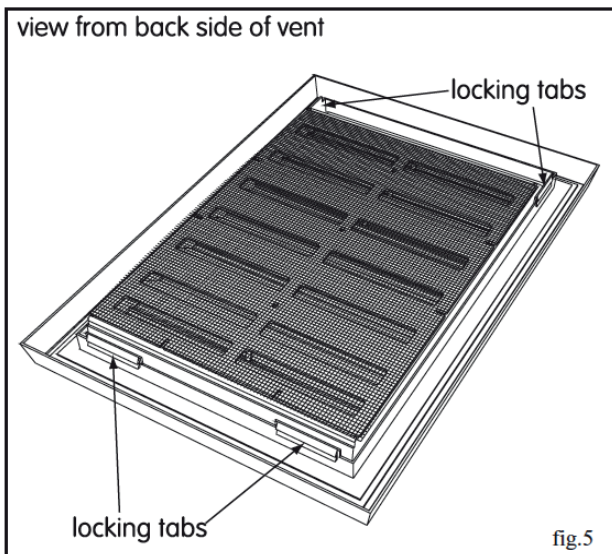
Note: There are several instances when the nailing flange does not need to be cut. If the vent is not being used as a replacement vent, the nailing flange can simply be fastened to the wall before siding.



**Step 3: Slide the ring into place**

Slide the top of the nailing flange between the siding and sheathing by flexing the side walls of the ring. Then, one at a time, slide the sides and bottom corners into place. While sliding the nailing flange into place, it may encounter a nail or screw under the siding. If this occurs, notch the nailing flange so that it will slide around the nail or screw. See figure 3.





#### Step 5: The locking tabs

There are four locking tabs located on the back side of the vent (the side which will face the house). Notice that there is one locking tab located near each corner. These tabs will hold the vent in place inside the ring. See figure 5.

#### Step 6: Fastening the vent to the ring

The locking tabs on the vent will align with the locking tabs on the ring. Slide the bottom of the vent into the ring as shown in figure 6. Then, make sure the vent is properly aligned with the ring. Finally, press the top of the vent into place. Push the vent firmly into position to be sure that all the locking tabs engage.

