

SturdiMount® Installation Guide

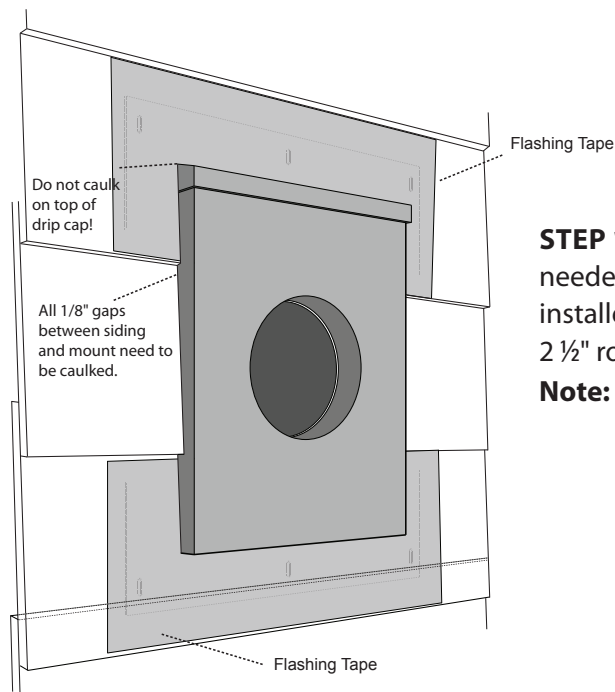
Materials needed:

- 2 1/2" roofing nails
- 2" brad nails
- OSI Quad caulk
- Flashing tape

Penetrations Installation Requirements

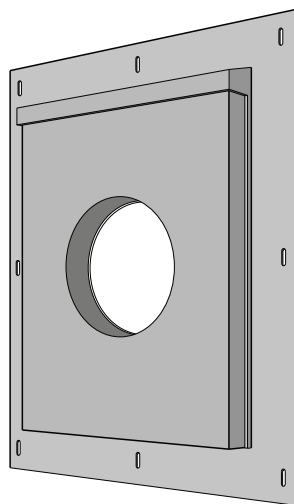
For penetrations in the building envelope such as hose bibs and holes 1 1/2" diameter or larger, such as dryer vents. To install a block around an existing vent pipe, use a SturdiMount Split Block. Weather-cut the trim to fit into place. Install flashing over top of the trim block.

UNIVERSAL, OVERSIZED AND RECEPTACLE MOUNT INSTALLATION



STEP 1 - Place desired mount over the proper application needed. Align and level mount parallel with siding to be installed. Nail block into place using all flange holes with 2 1/2" roofing nails.

Note: Flashing tape is applied over the flange.



STEP 2 - Flash all sides of block covering the nail flange. Install siding and caulk sides and bottom of block.