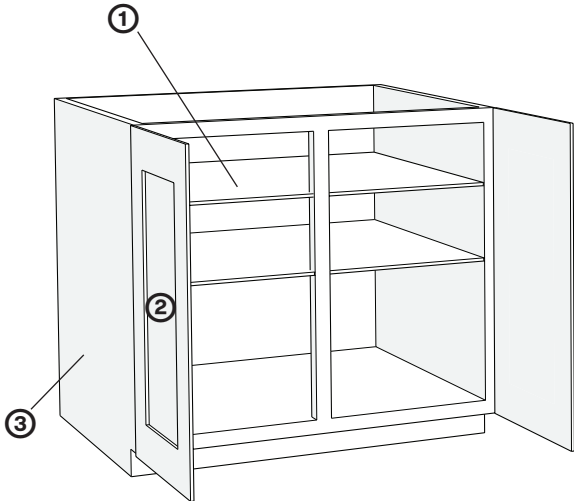


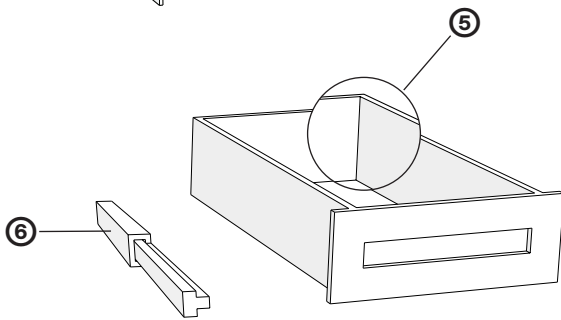
CRAFTLINE

QUALITY • VALUE • STYLE

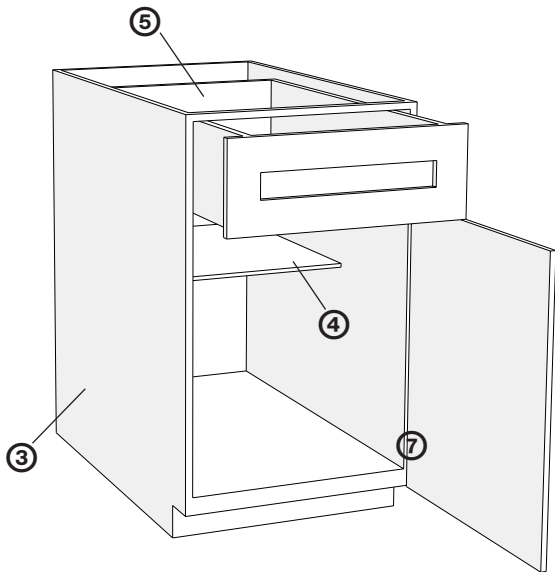
Cabinetry



- ① Face framed construction, full overlay
- ② Door, drawer front both 5 piece Shaker
- ②a Door is MDF
- ③ Box is 1/2" plywood, clear finish interior, matching finish exterior



- ④ Shelf is 3/4" plywood half depth
- ⑤ Drawer box is solid wood dovetailed
- ⑥ Drawer slide is DTC under mount soft close
- ⑦ Hinge is DTC soft close hinge



Special Notes

Pre drill guide holes located on the face frame for metal bracket. L shape metal bracket included for assembly.

Product styles, availability and construction may vary due to material availability and the nature of wood. Since no two trees are alike, cabinets may vary in color, texture and grain. Wood characteristics naturally occurring such as variations in color, grain, mineral streaks, pinholes and knots are not considered defects. Color variations in cabinets are also a natural occurrence due to species, age, character of cabinets, and exposure to UV light and sunlight. Specifications are subject to change without notice.