

General & Safety Information

- Wear proper personal protective equipment (PPE).
- Operate all tools per manufacturer guidelines.
- Standard woodworking saws and blades can be used for cutting Fypon® polyurethane (PUR) products.
- Fypon PUR parts are NOT load bearing. However, Fypon PUR beam mantels have been tested to support a weight load capacity of up to 200 lbs. if properly mounted.
- Always follow applicable code requirements and clearances with fireplaces or other heat sources per manufacturer recommendations. Fypon PUR beam mantels have been tested to ASTM D1929 and shown to be safe from ignition to 300°C (572°F). For comparison, soft woods can ignite at temperatures as low as 180°C (356°F).
- For best results, finish and allow to dry prior to installation. Refer to Fypon General Finishing Instructions, which can be found at fypon.com/install.
- All Fypon products must be installed per the following instructions and finished within 90 days of installation to maintain warranty coverage.

Tools / Materials

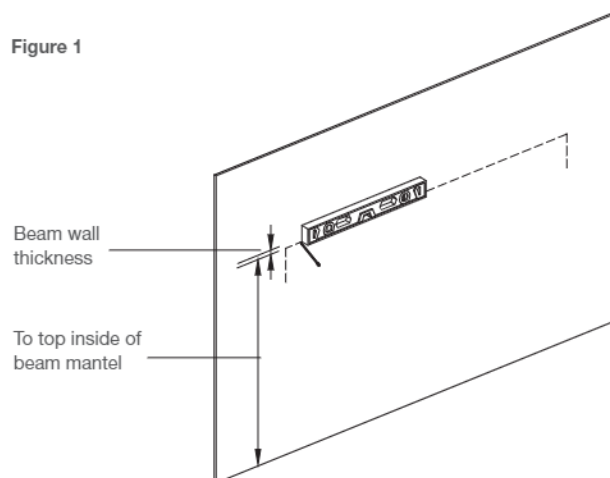
- Pencil
- Tape Measure
- Level
- Square and / or T-bevel
- Stud finder
- Hammer or pneumatic nailer
- Nail countersink
- Drill / driver and appropriate bits
- 2x4 or 2x6 lumber
- Saw (to cut blocking)
- Putty knife
- Sandpaper (220-grit recommended)
- Caulk gun
- Exterior-grade polyurethane-compatible sealant and / or filler
- Exterior-grade polyurethane-compatible adhesive (Loctite® PL Premium® recommended)
- Exterior-grade fasteners (1-½" trim-head screws recommended)
- 3/16" x 4" toggle bolts
- 3" flat-head fasteners (for drywall or wood)
- 1/4" x 2-¾" flat-head concrete anchors (for masonry)

Installation Instructions

1) Mark guideline.

Refer to Figure 1. If installing the beam mantel over a heat source, ensure that the location meets applicable code requirements. Typically, the bottom of the beam mantel must be at least 12" above the heat source, plus 1" for every 1" that the mantel protrudes from the wall. Mark a straight and level guideline to denote the inside top and ends of the beam mantel. The top edge of the beam mantel will sit above this line, by its wall thickness.

Figure 1



2) Fabricate mounting blocks.

From 2x4 or 2x6 lumber, cut mounting blocks that match the inside height of the beam mantel, or cut a single board that is slightly less than the inside length of the beam mantel. Refer to the table on the right for the number of mounting blocks to cut, based on the length of the beam mantel (Figure 2A). Drill three 1/8" holes in each mounting block as shown (Figure 2B), with one in the center of the block and two more that are spaced 3/4" in from the top corners. If using a single board, wait to drill holes until the next step.

Figure 2A

Beam Length	Wood Mounting Block (Qty)
Up to 60"	3
60" to 78"	4
78" to 90"	5

3) Mark mounting block locations and prepare mounting blocks for installation.

Refer to Figure 3. Use a stud finder and mark any stud locations on the guideline. If the stud locations are more than 16" apart or not within 6" of the beam mantel ends, additional mounting locations will be needed, with toggle bolts at the non-stud locations.

For any of the center mounting block holes that will receive toggle bolts, enlarge the 1/8" hole in the block to 1/4" to allow the toggle bolt to pass through. Mark the toggle bolt hole location on the wall and drill a 5/8" hole for the expanding part of the toggle bolt to pass through.

Similarly, if installing on masonry, pre-drill holes as needed for any masonry fasteners.

If using a single board, drill holes in the same pattern as the mounting blocks, to align with the identified mounting locations, and similarly prep any holes for toggle bolts or masonry fasteners.

Figure 2B

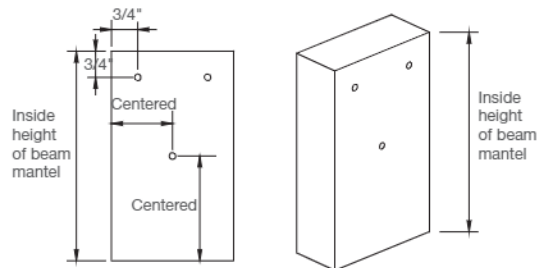
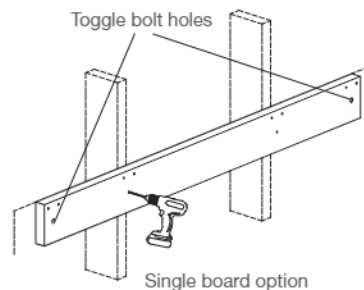
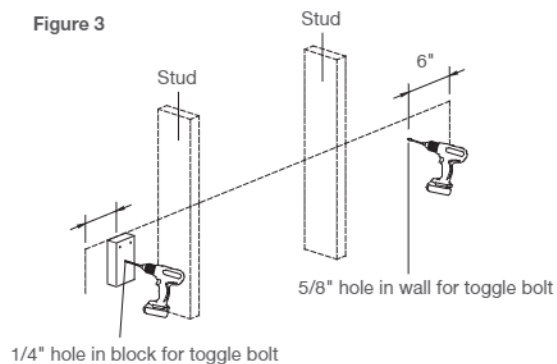


Figure 3

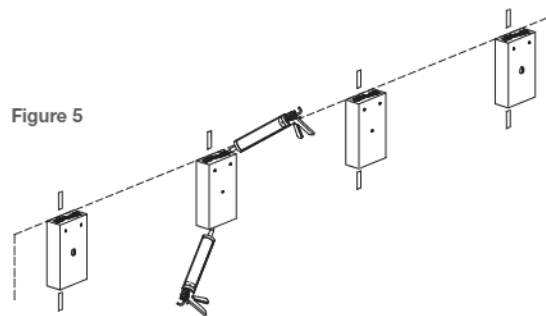
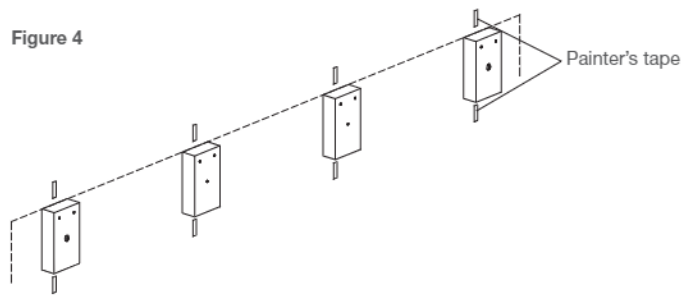


4) Attach mounting block(s).

Refer to Figure 4. Align the tops of the mounting blocks with the guideline at the desired locations and fasten to the wall using the appropriate fasteners. Secure to studs using 3" screws, masonry using masonry fasteners, or non-stud drywall locations using toggle bolts.

If using a single board, fasten in the same manner, using appropriate fasteners.

Use painter's tape to mark the location of each mounting block about 2" above and below the block, to mark where the beam will be fastened.

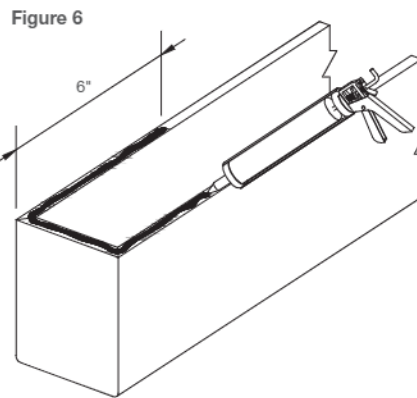


5) Apply adhesive to mounting blocks.

Apply a 1/4" bead of adhesive to the top and bottom of each mounting block (Figure 5).

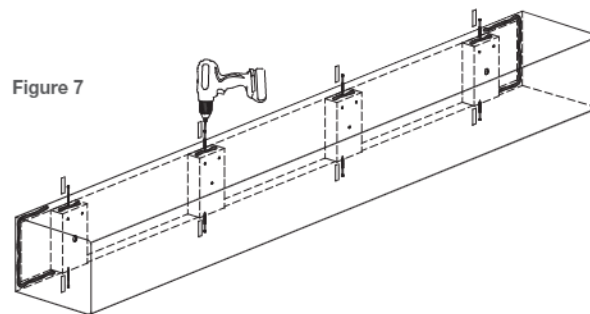
6) Apply adhesive to the beam mantel.

Apply a 1/4" bead of adhesive to the back side of the beam mantel at the ends and about 6" in from the ends (Figure 6).



7) Install beam mantel.

Press the beam mantel over the mounting blocks and against the wall. Fasten at the mounting locations with 1-1/2" trim head screws, about 1" away from the wall, making sure to install them vertically and countersink them below the surface (Figure 7). Remove any excess adhesive and painter's tape.



8) Fill fastener holes.

Fill fastener holes with filler and sand to match surrounding area, if needed, but be careful not to remove the primer.

9) Touch up or finish.

Refer to Fypon® General Finishing Instructions. If part was finished prior to installation, touch up filled fastener holes with color-matched finish.