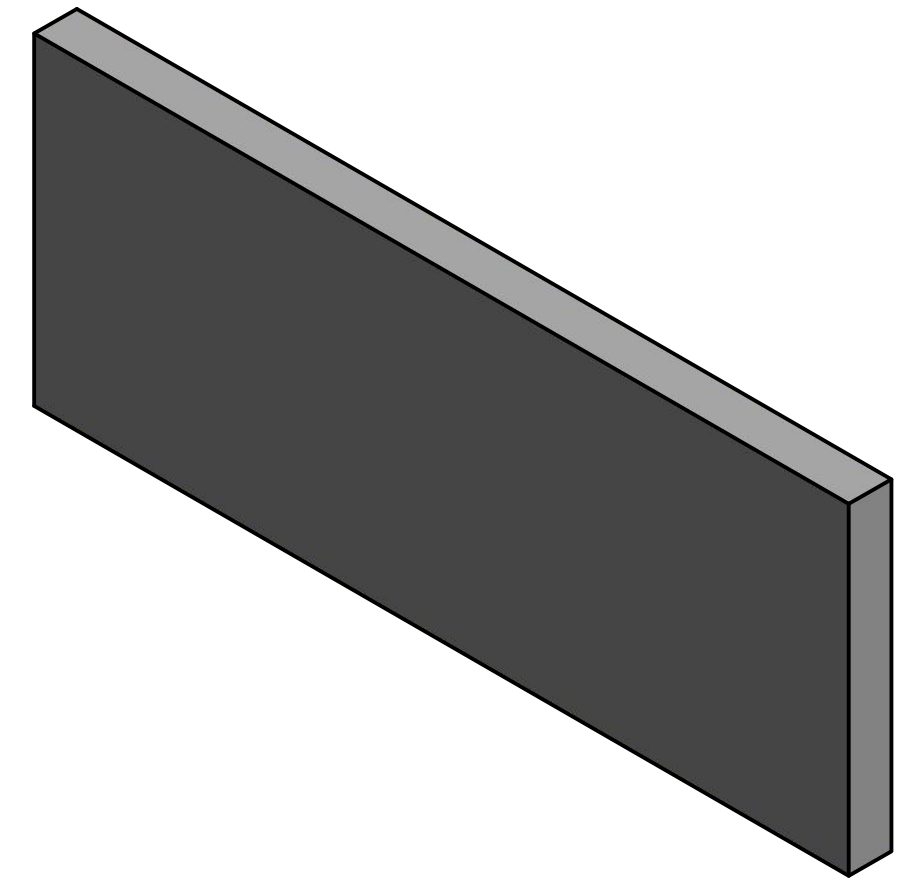
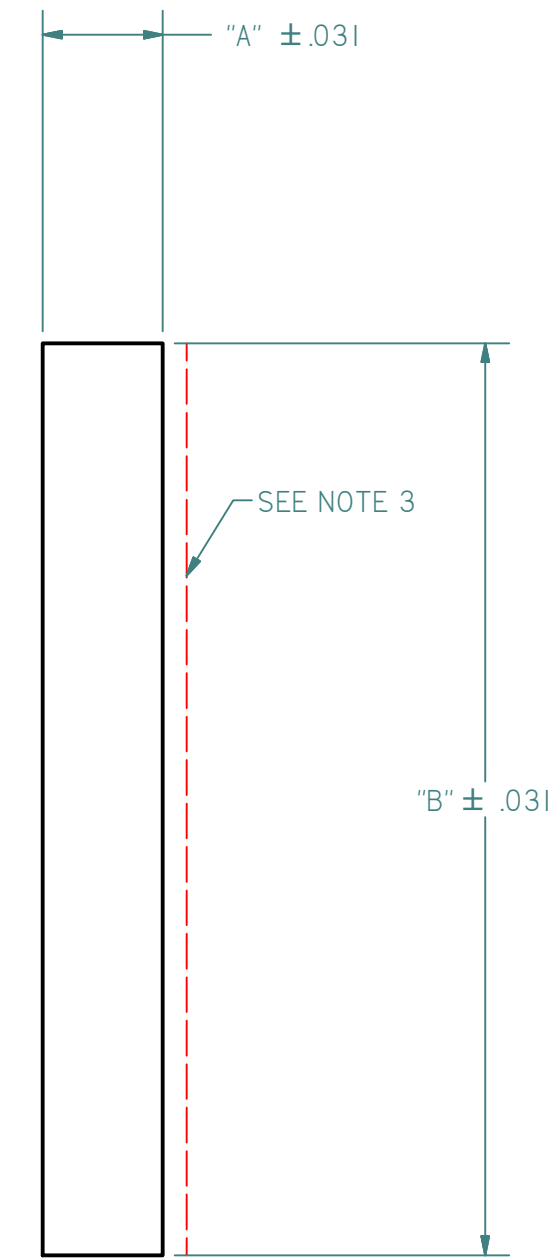
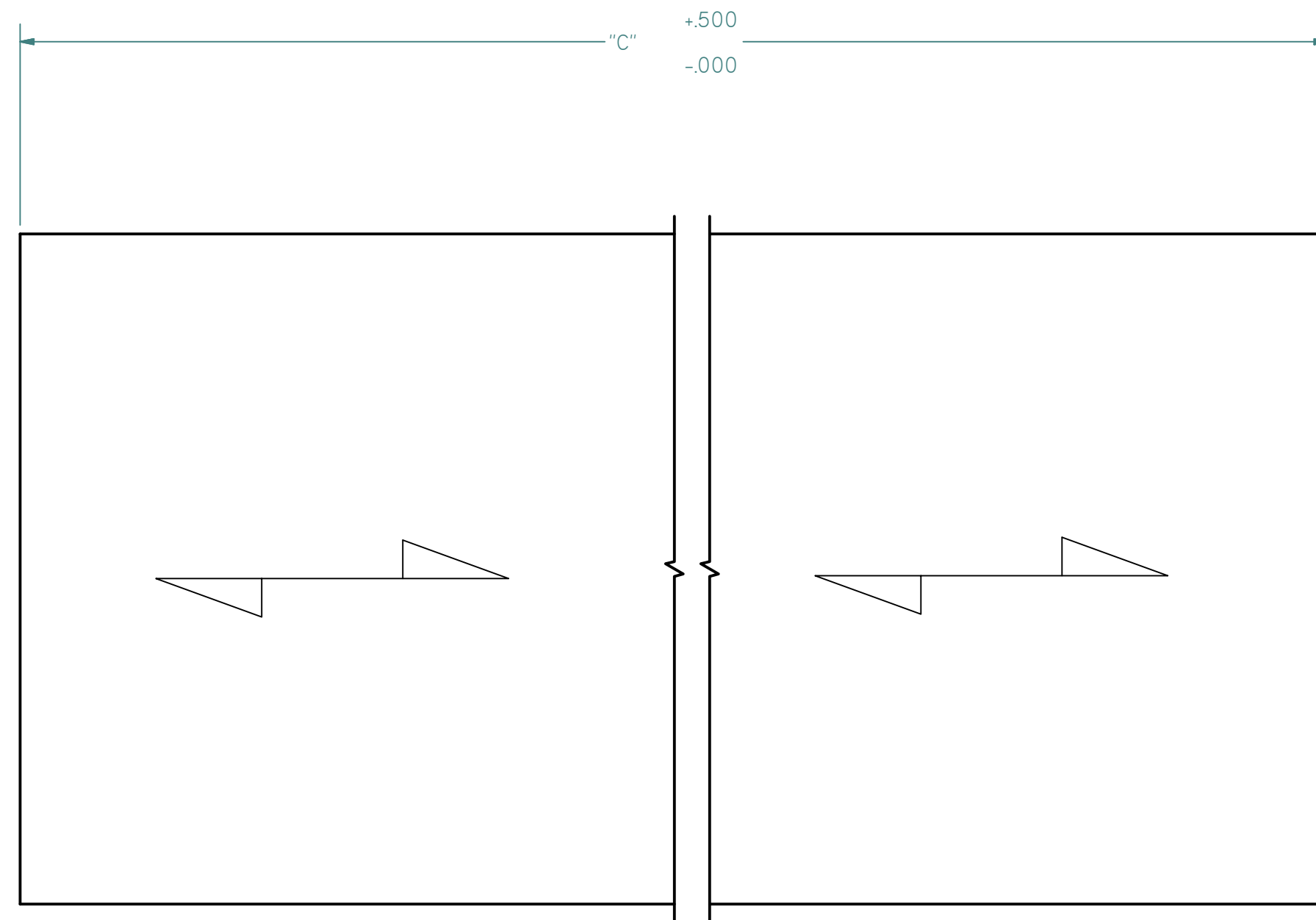


FLAT TRIM

REV	DESCRIPTION	DATE	AUTHOR	ENGINEER
B	ER7869 - RELEASE OF NEW ROUGH SAWN PARTS	10/20/2015	Z.WALK	Z.WALK
C	ER7877 - ADDITION OF FLT4X9-I6RS, WAS ORIGINALLY GIVEN THE BEAM PART NUMBER BMST3X8X216S. PART WAS SUPPOSED TO HAVE BEEN FLAT TRIM AND NEVER GOT UPDATED TO FLAT TRIM.	12/7/2015	Z.WALK	Z.WALK
D	ER7915 - UPDATED NOTE BLOCK TO INCLUDE NEW MS CALLOUT FOR WOODGRAIN TEXTURE	2/15/2016	Z.WALK	Z.WALK



WHITE SMOOTH FLAT TRIM				
PART NUMBER	THICKNESS "A"	WIDTH "B"	LENGTH "C"	TEXTURE
FLT177-8	.500	1.000	96.000	SMOOTH
FLT131-16	.500	3.000	192.000	SMOOTH
FLT178-8	.500	14.000	96.000	SMOOTH
FLT100-12	.625	4.750	144.000	SMOOTH
FLT181-8	.625	24.000	96.000	SMOOTH
FLT101-12	.750	1.500	144.000	SMOOTH
FLT102-8	.750	2.125	96.000	SMOOTH
FLT102-10	.750	2.125	120.000	SMOOTH
FLT103-12	.750	3.000	144.000	SMOOTH
FLT122-16	.750	3.500	192.000	SMOOTH
FLT110-16	.750	5.500	192.000	SMOOTH
FLT109-12	.750	6.000	144.000	SMOOTH
FLT186-16	.750	7.250	192.000	SMOOTH
FLT113-8	.750	8.000	96.000	SMOOTH
FLT118-8	.750	10.000	96.000	SMOOTH
FLT152-8	1.000	3.500	96.000	SMOOTH
FLT152-12	1.000	3.500	144.000	SMOOTH
FLT152-16	1.000	3.500	192.000	SMOOTH
FLT153-12	1.000	4.000	144.000	SMOOTH
FLT159-8	1.000	5.500	96.000	SMOOTH
FLT159-12	1.000	5.500	144.000	SMOOTH
FLT159-16	1.000	5.500	192.000	SMOOTH

WHITE SMOOTH FLAT TRIM				
PART NUMBER	THICKNESS "A"	WIDTH "B"	LENGTH "C"	TEXTURE
FLT162-6	1.000	7.500	72.000	SMOOTH
FLT162-8	1.000	7.500	96.000	SMOOTH
FLT162-14	1.000	7.500	168.000	SMOOTH
FLT170-12	1.000	9.500	144.000	SMOOTH
FLT170-16	1.000	9.500	192.000	SMOOTH
FLT172-16	1.000	11.500	192.000	SMOOTH
FLT175-12	1.000	12.000	144.000	SMOOTH
FLT179-12	1.000	16.000	144.000	SMOOTH
FLT180-12	1.000	24.000	144.000	SMOOTH
FLT119-17	1.000	32.250	203.000	SMOOTH
FLT125-8	1.000	36.000	96.000	SMOOTH
FLT40X96	1.000	40.000	96.000	SMOOTH
FLT184-16	1.500	1.500	192.000	SMOOTH
FLT194-10	1.500	3.500	120.000	SMOOTH
FLT183-12	1.500	5.500	144.000	SMOOTH
FLT163-16	1.500	7.500	192.000	SMOOTH
FLT182-12	1.500	12.250	144.000	SMOOTH
FLT185-12	1.500	16.250	144.000	SMOOTH
FLT190-12	2.000	4.000	144.000	SMOOTH

WOOD GRAIN STAINABLE FLAT TRIM				
PART NUMBER	THICKNESS "A"	WIDTH "B"	LENGTH "C"	TEXTURE
FLT1X4-I2RS	.750	3.500	144.000	ROUGH SAWN
FLT1X6-I2RS	.750	5.500	144.000	ROUGH SAWN
FLT1X8-I2RS	.750	7.500	144.000	ROUGH SAWN
FLT1X12-I2RS	.750	11.500	144.000	ROUGH SAWN
FLT2X4-I2RS	1.500	3.500	144.000	ROUGH SAWN
FLT2X6-I2RS	1.500	5.500	144.000	ROUGH SAWN
FLT2X8-I2RS	1.500	7.500	144.000	ROUGH SAWN
FLT2X12-I2RS	1.500	11.500	144.000	ROUGH SAWN
FLT4X9-I6RS	3.500	8.500	192.000	ROUGH SAWN

- NOTES:
- MATERIAL CLOSED CELL POLYURETHANE PER MS0072
 - FOR SMOOTH/WHITE PARTS PRIME WITH SHERWIN WILLIAMS E60WJ0541-300D3 OR EQUIVALENT, FOR WOOD GRAIN FINISH TAN COLOR PARTS USE SHERWIN WILLIAMS E60NP00101-V03 OR EQUIVALENT.
 - RED DASHED LINES INDICATE SURFACES WHERE PRIMER AND TEXTURE IS NOT REQUIRED.
 - ARROWS INDICATE WOODGRAIN DIRECTION IF APPLICABLE
 - FOR TEXTURED PARTS REFERENCE MS0080.

UNLESS OTHERWISE SPECIFIED DIMENSIONS ARE IN INCHES	DRAWING TITLE:		FLAT TRIM		
	DRAWN BY:	DATE:	CONFIDENTIAL DOCUMENT THIS DOCUMENT IS THE PROPERTY OF THERMA-TRU CORPORATION AND IS NOT TO BE COPIED AND/OR DISCLOSED TO OTHERS WITHOUT PRIOR WRITTEN CONSENT.		
	B. LONG	3/27/2014			
	CHECKED BY:	DATE:	SCALE:	SHEET:	DRAWING NO.:
Z. WALK	7/7/2014	1:1	1 OF 1	B1311	D