



HydroShield

USER INSTRUCTIONS

For

ROOF ANCHOR

Complied with ***ANSI Z359.18-2017***

THIS INSTRUCTION APPLIED TO FOLLOWING MODELS:

14427, 14428 ...

Table of Contents

WARNING	Page 3
1. Limitations for Use	Page 3
2. Connection Compatibility Limitations.....	Page 4
3. Performance.....	Page 5
4. Installation.....	Page 5
5. Loading Direction Limitation.....	Page 6
6. Training.....	Page 7
7. Inspection.....	Page 7
8. Cleaning, Maintenance and Storage.....	Page 7
9. Labeling.....	Page 8
10. Inspection Log.....	Page 8

Warning

- Current User Instructions must always be available to the user.
- Read and understand this instructions before using this equipment.
- This User Instructions is not to be removed except by the user of this equipment.
- User must read and fully understand the limitations and proper use of this equipment.
- Do not alter, relocate or add to this equipment without manufacturer's authorization.
- Misuse or failure to follow warnings, instructions and limitations on the use of this equipment may result in serious personal injury or death.
- Do not use this equipment if you are unable to tolerate the impact of a fall arrest.
- Age and fitness can seriously affect your ability to withstand a fall. Consult with **HydroShield** if in doubt.
- Minors, pregnant women and anyone with a history of back and/or neck problems must not use this equipment.
- Remove any surface contamination that could accelerate cutting or abrading of attached components, such as concrete, stucco, roofing material, etc.
- Do not concerning environments and conditions that may degrade this equipment, such as sharp edges, abrasive surfaces, moving machines, high-temperature applications (like welding), electrical hazards and chemical hazards.
- Inspect Personal Fall Arrest System (PFAS) equipment for wear, damage and other deterioration prior to each use.
- Defective components must be removed from service immediately.
- Never remove product labeling because it include important information for the ANSI standard.

1. Limitations for Use

- This equipment is designed to be used in temperatures ranging from -30°F to +130°F (-34°C to +54°C).
- This equipment is designed for use by one person only, with maximum working load of 310 lbs (140 kg) if used in combination with equipment explicitly certified for such sue (including clothing, tools, etc.,).
- This equipment must only be used on structures capable of supporting static loads applied in all directions permitted by the fall arrest system of at least 5,000 lbs (22.2 kN).
- Thoroughly evaluate and plan all elements of fall protection systems before using this equipment. Make sure that your PFAS is appropriate for your needs and facility. Users must have a rescue plan and the means to implement it. This plan must provide prompt employee rescue or ensure that employees have the ability to rescue themselves in the event of a fall.
- This equipment must be removed from service immediately if a fall is incurred.
- To minimize the potential for accidental disengagement, a Competent Person must ensure system compatibility.
- Repairs must be performed only by manufacturer, or persons or entities authorized in writing by the manufacturer.
- All equipment must be inspected before each use according to the manufacturer's instructions. All equipment should be inspected by a qualified person on a regular basis.
- Never use fall protection equipment for purposes other than those for which it was designed.
- Components must not be used for any other operation other than that which it has been designed and approved.
- Fall Restraint System must be designed by a Qualified Person, and must be installed and used under the supervision of a competent person.
- Do not using combinations of components or sub-systems, or both, which may affect or interfere with the safe function of each other.
- Only use components rated for the same weight capacity or Higher. Not all fall protection components are rated for the same user weight capacity.
- Evaluate space below work area to ensure potential fall path is clear of obstructions. Allow adequate fall clearance below the work surface.
- Do not use or install equipment without proper training from a "Competent Person".
- Store this equipment in a cool, dry, and clean environment that is out of direct sunlight when not in use.

2. Connection Compatibility Limitations

All equipment must be coupled only to compatible connectors that are suitable to your application. Ensure all connections are compatible in size, shape and strength. Ensure all connectors are fully closed and locked. Prohibit the use of snap hooks to engage to objects unless the following requirements are met:

- It must be a locking type snap hook.
- It must be explicitly designed for such a connection. “Designed for” means that the manufacturer of the snap hook specifically created the snap hook to be used to connect to the equipment in question.

Use of a non-locking snap hook can result in rollout*. Snap hooks and carabiners are designed to be used only as specified in each product’s user instructions. See as following shown for inappropriate connections.



Avoid the following type of connections:

- Connection of two (or more) snap hooks/rebar hooks or carabiners to one D-ring.
- Connection of a snap hook/rebar hook back to its integral lanyard.
- Direct connection of a snap hook/rebar hook to horizontal lifeline.
- Connection in a manner that results in a load on the gate.
- False engagement connections, where protruding features of the snap hook/rebar hook or carabiner may catch on the anchor and seem to be fully engaged to the anchor point. Always confirm engagement.
- Connection to snap hooks or carabiners.
- Do not connect a snap hook/rebar hook into a loop or thimble of a wire rope or attach in any way to a slack wire rope.
- Direct connection to webbing lanyard, webbing loop, rope lanyard or tie-back. (Unless the manufacturer’s instructions for both the lanyard and connector specifically allow such a connection.)
- Connection of a snap hook to a D-ring, rebar or other connection point of improper dimensions in relation to the snap hook dimensions or configurations that could cause the snap hook keeper to be depressed by a turning motion of the snap hook, or such that snap hook or carabiner will not fully close and lock, or that roll-out could occur.
- Snap hook/rebar hook must be free to align with applied load as intended.
- Carabiner may be connected to a loop or ring connector already occupied by a choker style connector. This type of connection is prohibited for snap hooks/rebar hooks.

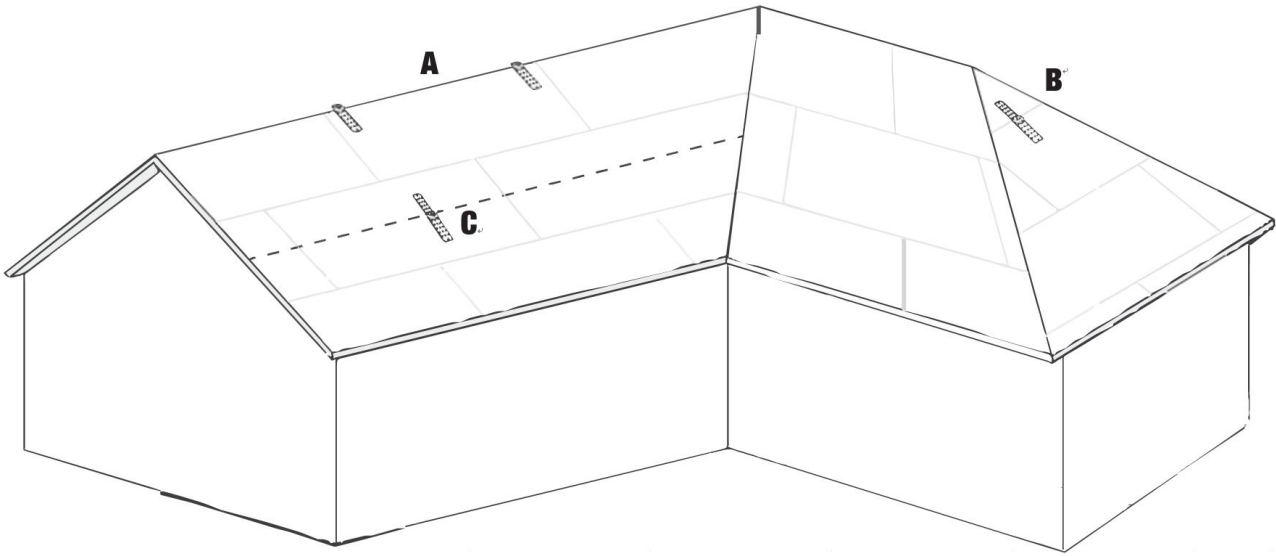
* Rollout: A process by which a snap hook or carabiner unintentionally disengages from another connector or object to which it is coupled.

3. Performance

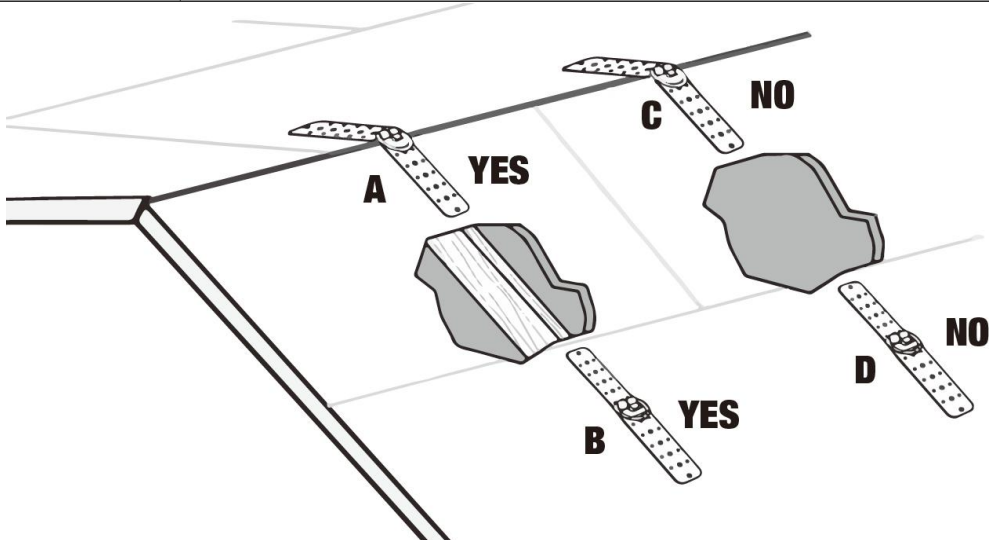
The performance of equipment in accordance with the requirements of the ANSI Z359.18-2017.

Model	Features	Material	Minimum Breaking Strength (MBS)
14427	Reusable	Plate Steel	5000 lbs / 22.2 kN
14428	Disposable	Galvanized Steel	5000 lbs / 22.2 kN

4. Installation



A	Roof Ridge	No more than 8' of spacing between roof anchors installed on Roof Ridges
B	Hip Face	At least one roof anchor on each Hip Face
C	Roof Edge	No less than 6' from an exposed Roof Edge



When multiple roof anchors are installed, the strength (static load) above must be met at each roof anchor's installation point independently.

Anchorage used for attachment of a personal fall arrest system shall be independent of any anchorage being used to support or suspend platforms, and must support at least 5,000 lbs (22.2 kN) per user attached; or be designed, installed, and used as part of a complete personal fall arrest system which maintains a safety factor of at least two, and is supervised by a qualified person.

When installed as an anchor point on a flat surface or on one side of a peaked roof, the connecting fall arrest subsystem must not extend over the peak of the roof to the other side.

When working on the opposing roof surface, installation of an additional Reusable Roof Anchor is required on that side. Anchor must be positioned to apply load in the long axis of the anchor bracket.

After removal of the Reusable Roof Anchor, roof surface may require repairs. It is the responsibility of the installer to make applicable repairs to the roof materials.

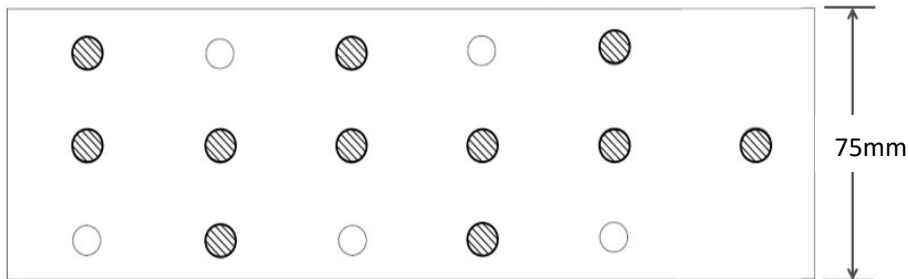
Reusable Roof Anchor can be used on a maximum roof slope of 12/12 pitch.

Attachment:

Center on the ridge of roof framing assembly. Position the anchor on the roof such that the holes along the center of the legs are centered directly over the center of the roof framing member. The roof anchor must be positioned over top of previously secured roof sheathing (do not attach directly to rafter or truss).

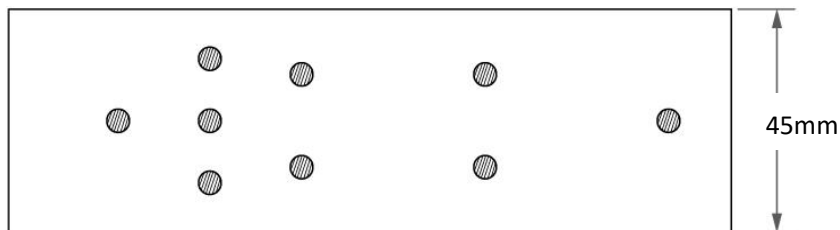
Installation of 14427

The 6 center holes and 1 row of the outer holes on each leg must be used. The 6 center holes must be centered on the framing section and the 5 outer holes must penetrate through substrate. At least 22 nails must be used as shown below. It was fixed using nails measuring 92mm length & 3.8mm diameter.

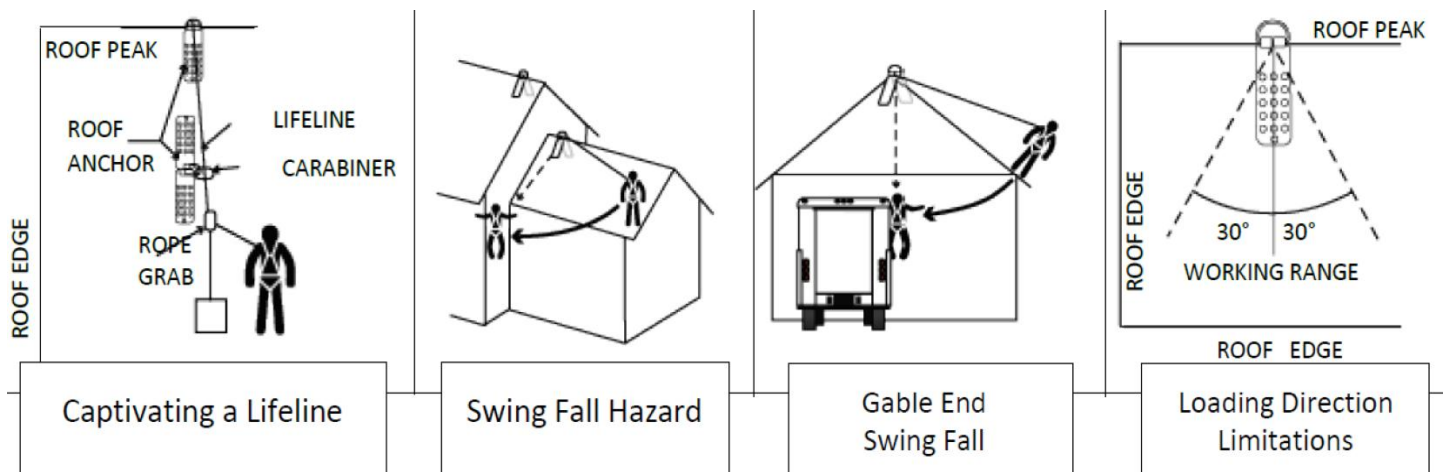


Installation of 14428

All holes on each leg must be used, so 18 nails must be used as shown below. It was fixed using nails measuring 92mm length & 3.8mm diameter.



5. Loading Direction Limitation



6. Training

Employers are responsible for providing training to any employee who may be exposed to fall hazards in order to enable the employee to recognize and reduce fall hazards. Training must be conducted by a Competent or Qualified Person. Trainer and trainees must not be exposed to fall hazards during the training course.

7. Inspection

If inspection reveals any defect, inadequate maintenance, or unsafe condition, remove Reusable Roof Anchor from service immediately.

Any Roof Anchor that has been subjected to the forces of arresting a fall must be removed from service immediately.

The inspection should be carried out according to the following steps:

Step 1: Inspect Roof Anchor for physical damage, e.g. any signs of cracks, dents, or deformity. Check for bending or bowing of roof anchor legs.

Step 2: Inspect Roof Anchor for signs of corrosion.

Step 3: Ensure the condition of the roof anchor is capable of supporting Roof Anchor load. Do not connect any Roof Anchor to rotten or degraded wood; do not use any Roof Anchor connected to rotten or degraded wood.

Step 4: Ensure Roof Anchor remains securely attached. If Roof Anchor is loose, do not use.

Step 5: Inspect each system component or subsystem per associated manufacturer's instructions.

Step 6: Record the inspection date and results in your inspection log.

If inspection reveals any defective condition, remove from service immediately.

Frequency

All equipment must be visually inspected prior to each use according to the manufacturer's instructions included at time of shipment. Inspections must be performed by a Competent Person other than the user a minimum of once per year. Record the results of each formal inspection in your inspection log.

NOTE: Per PFAS must be inspected by a competent person at least six months, in accordance with the manufacturer's recommendations, with inspection dates documented.

8. Cleaning, Maintenance and Storage

Cleaning

The equipment surface should be wiped down with a clean, dry cloth to remove grease or dirt during the use.

Maintenance

Maintenance/Repair of the equipment can be made only by representative or person or entity authorized by PALOMA. Any equipment requiring maintenance must be tagged "unusable" or removed from service.

Storage

- When not in use, equipment should be stored in a cool, dry place out of direct sunlight.
- Do not store in areas where damage from environmental factors such as heat, light, excessive moisture, oil, chemicals and their vapors, or other degrading elements may be present.
- Do not store damaged equipment or equipment in need of maintenance in the same area as product approved for use. Equipment must be cleaned and dried prior to storage.
- Equipment that has been stored for an extended period must be inspected as described in this *User Instructions* prior to use.

9. Labeling

All labeling must be legible and attached to the equipment.

HydroShield

Model No.: 14428
Complied with
ANSI Z359-18-2017_Type A

Serial No.: xxxxxxx
Mfg Date: MM/YYYY

Max Working Load:
310 lbs

Min Breaking Strength:
5000 lbs

Min Service Temperature:
-34°C - 54°C

Read and understand user instructions before each use.

INSPECTION LOG

Y	M	J	F	M	A	M	J	J	A	S	O	N	D
20													
20													
20													
20													

NOTE: Product must be inspected by competent person before each use.

DO NOT REMOVE THIS LABEL.

HydroShield

Product: Roof Anchor
Model: 14427
Material: Galvanized Steel
Date of Manufacture: 06/2021
Batch No.: 1234
Serial No.: 000001
Comply with ANSI Z359-18-2017_Type A

Min Breaking Strength: 5000 lbs

For use by one user only with maximum weight of 310 lbs.

NOTE: Anchor must be centered on the framing section and the 5 outer holes must penetrate framing. 22 nails must be used as shown. It was fixed using twist-tite measuring 3/8 inch length & 0.15 in diameter.

Read and understand user instructions before each use.

For use on Wood/Steel Roofs as Temporary Anchor.

INSPECTION LOG

Y	M	J	F	M	A	M	J	J	A	S	O	N	D
20													
20													
20													
20													

NOTE: Product must be inspected by user/authorized person before each use.

WARNING

Manufacturer's instructions supplied with this product at time of shipment must be followed for proper use, maintenance and inspection. Use only with ANSI approved personal fall arrest or restraint systems. Alteration or misuse of this product or failure to follow instructions may result in serious injury or death. Avoid contact with any sharp edge/abrasive surface. Avoid using in environment where extreme heat, chemical and electrical hazards are evident, as it may affect the functionality.

DO NOT REMOVE THIS LABEL.

10. Inspection Log

If equipment fails inspection **IMMEDIATELY REMOVE FROM SERVICE.**

User must inspect prior to **EACH** use.

Competent Person must do complete formal inspection at least 1 time per 6 month period.

All inspection records must be made visible and available to all users at all times.

INSPECTION LOG				
Product code				
Serial number				
Date of manufacturing				
Date of first use				
Inspection Date	Reason for entry (periodic examination or repair)	Competent person and signature	Comments	Next Due date for periodic examination

Tie Down, Inc. - 605 Stonehill Dr. Sw Atlanta, Georgia 30336, USA
 Tel: (404)-344-0000
 Fax: (404)-346-6814
 Website: www.tiedown.com