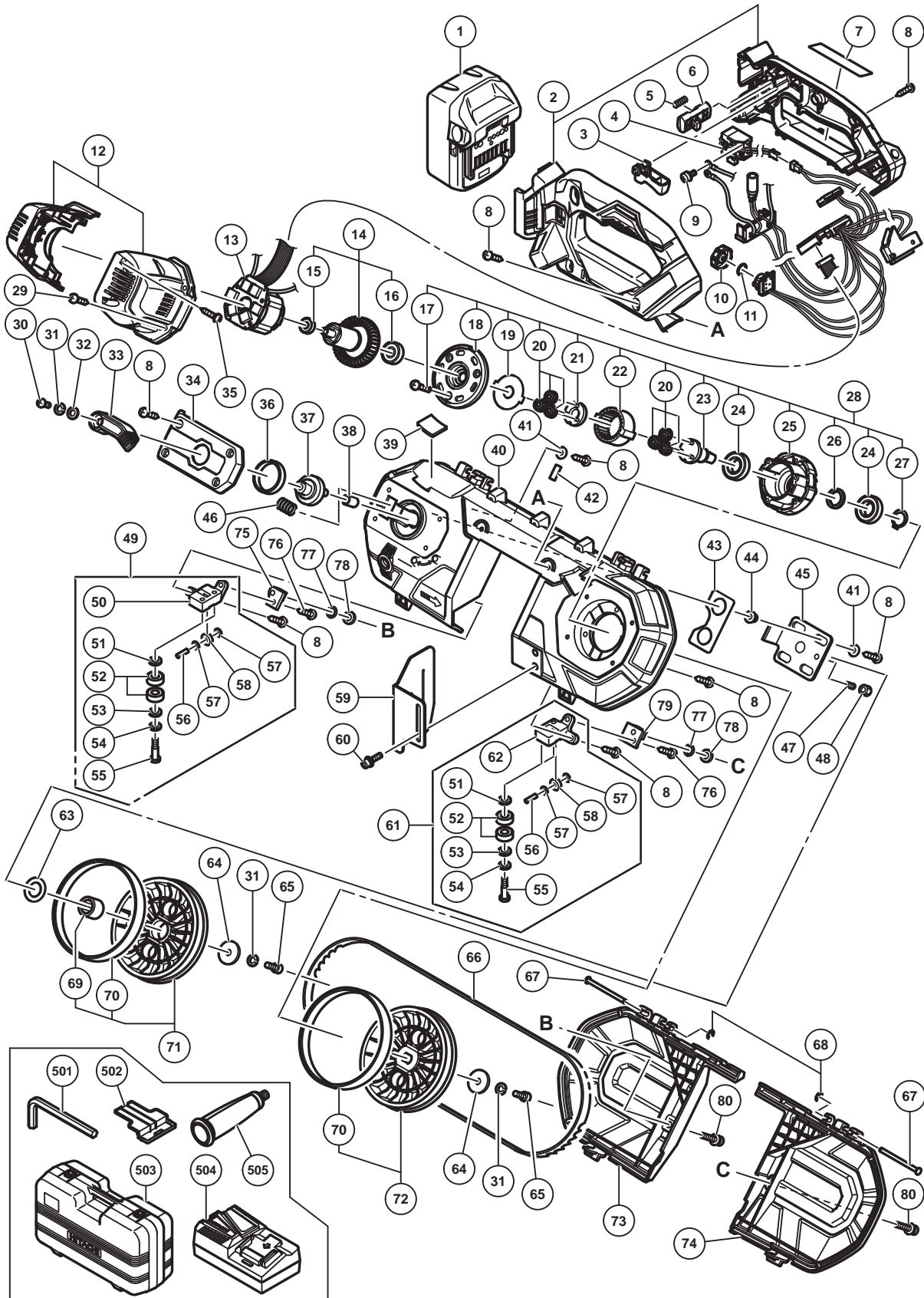


ELECTRIC TOOL PARTS LIST

■ CORDLESS BAND SAW
Model CB 18DBL

2015-7-9
(E1)



PARTS

CB 18DBL

ITEM NO.	CODE NO.	DESCRIPTION	NO. USED	REMARKS
1	336385	BATTERY BSL 1850(EUROPE,AUS,NZL)(2 PCS.)	2	INCLUD.502
2	338953	HANDLE SET	1	
3	338899	TRIGGER	1	
4	338900	SWITCH	1	
5	336650	SPRING	1	
6	339247	KNOB	1	
7		NAME PLATE	1	
8	307811	TAPPING SCREW (W/FLANGE) D4 X 16 (BLACK)	24	
9	307887	MACHINE SCREW (W/WASHER) M3.5 X 6	2	
10	337397	DIAL	1	
11	987105	O-RING (S-10)	1	
12	338951	HOUSING SET	1	
13	340922	STATOR FET PCB	1	
14	361012	ROTOR PINION SET	1	INCLUD.15,16
15	333826	BALL BEARING 625DD	1	
16	333945	BALL BEARING 608VV	1	
17	339251	TAPPING SCREW D4 X 16	3	
18	339128	GEAR CASE COVER	1	
19	339133	LOCK WASHER	1	
20	339249	PLANET GEAR (A) SET (6 PCS.)	6	
21	339132	PINION (B)	1	
22	339131	RING GEAR	1	
23	339129	PULLEY SHAFT (A)	1	
24	6902VV	BALL BEARING 6902VV	2	
25	339127	GEAR CASE	1	
26	339130	RING	1	
27	939544	RETAINING RING FOR D15 SHAFT (10 PCS.)	1	
28	339126	GEAR BOX ASS'Y	1	INCLUD.17-27
29	339250	TAPPING SCREW (W/FLANGE) D4 X 20	4	
30	949256	MACHINE SCREW M6 X 16 (10 PCS.)	1	
31	949455	SPRING WASHER M6 (10 PCS.)	3	
32	949432	BOLT WASHER M6 (10 PCS.)	1	
33	338965	TENSION LEVER	1	
34	338961	TENSION LEVER HOLDER	1	
35	332929	TAPPING SCREW (W/FLANGE) D3 X 20	4	
36	338963	RING	1	
37	338962	LEVER SHAFT	1	
38	338964	SLEEVE	1	
39	339248	RUBBER CUSHION (B)	1	
40	338950	FRAME	1	
41	338971	WASHER (B)	5	
42	338978	BEARING PIN	1	
43	338970	PROTECTION PLATE	1	
44	338968	COLLAR	4	
45	338969	SLIDE PLATE	1	
46	338967	TENSION SPRING	1	
47	334142	SEAL LOCK HEX. SOCKET SET SCREW M5 X 10	1	
48	949566	LOCK NUT M5 (10 PCS.)	1	
49	338974	BEARING HOLDER (B) ASS'Y	1	INCLUD.50-58
50	338976	BEARING HOLDER (B)	1	

