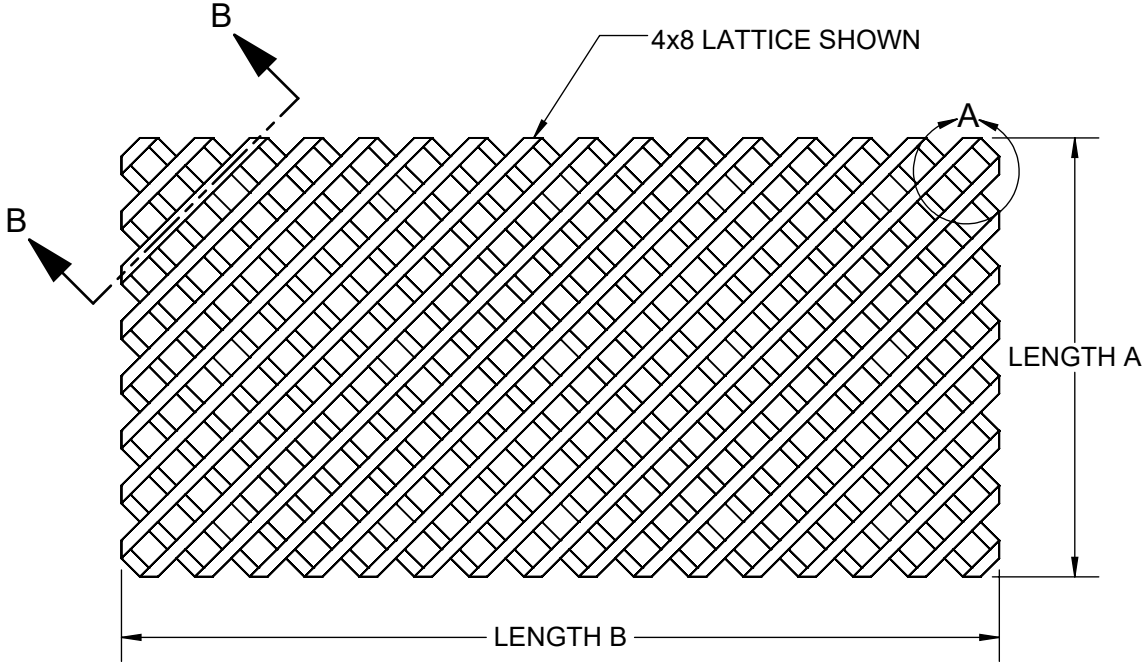
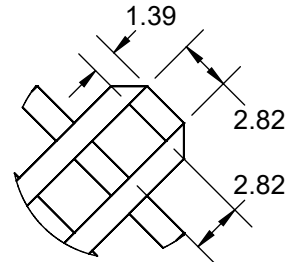


# CLASSIC DIAMOND LATTICE DETAILS



NOTE:  
 (A) = 24", 48"  
 (B) = 96"



DETAIL A  
SCALE 2 : 21

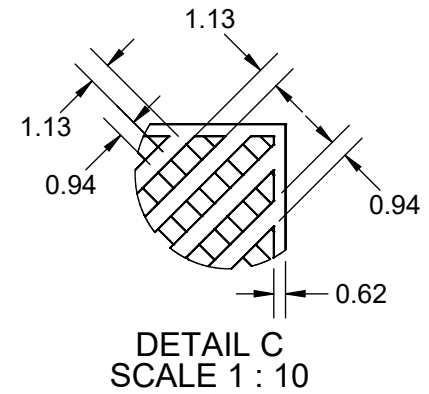
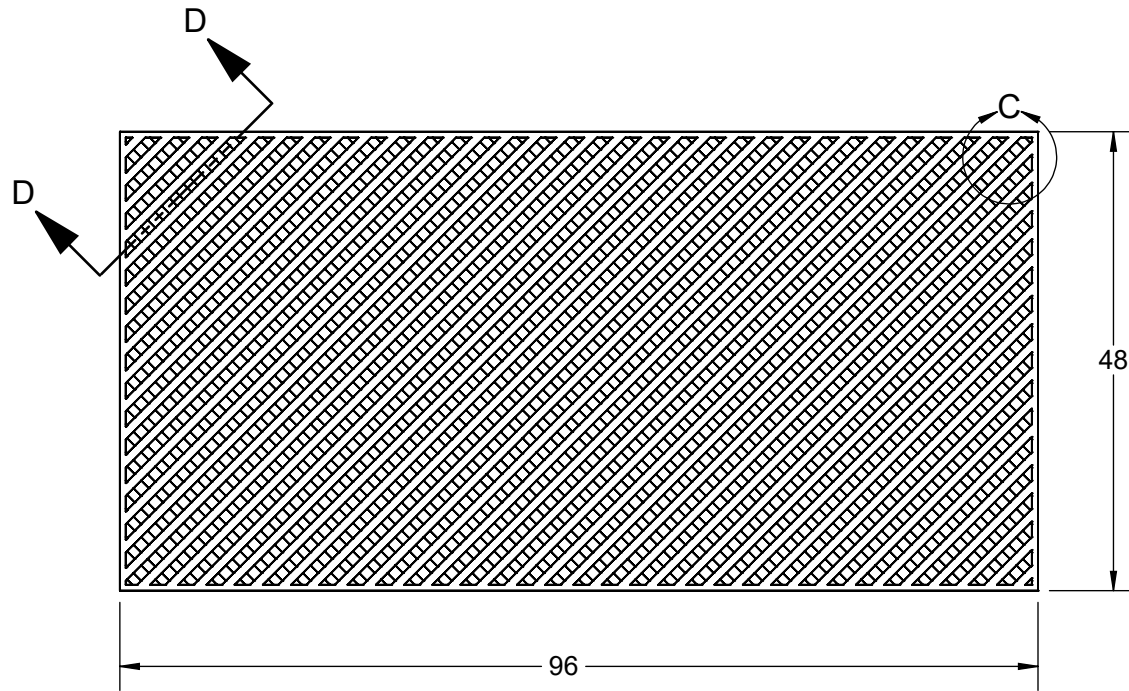


SECTION B-B  
SCALE 1 : 4

THE INFORMATION CONTAINED IN THIS DRAWING IS PROTECTED BY COPYRIGHT AND PATENT LAWS OF THE UNITED STATES AND OTHER COUNTRIES. ANY REPRODUCTION IN PART OR AS A WHOLE WITHOUT WRITTEN PERMISSION IS PROHIBITED.

<b>Barrette</b> OUTDOOR LIVING		
DRAWN: RP	DATE: 06/06/2018	APPROVED:
<b>CLASSIC DIAMOND LATTICE</b>		
SHEET 1 OF 3	REVISION	PART NUMBER
SCALE 1:21		N/A
WEIGHT: N/A		

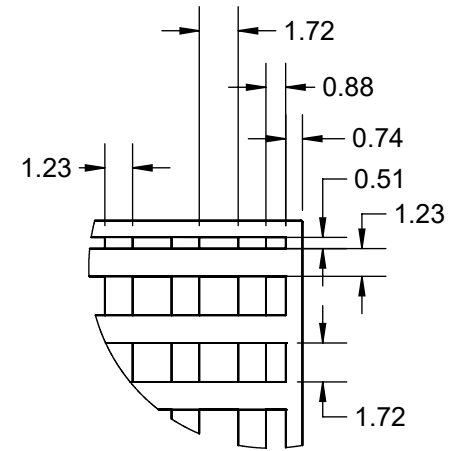
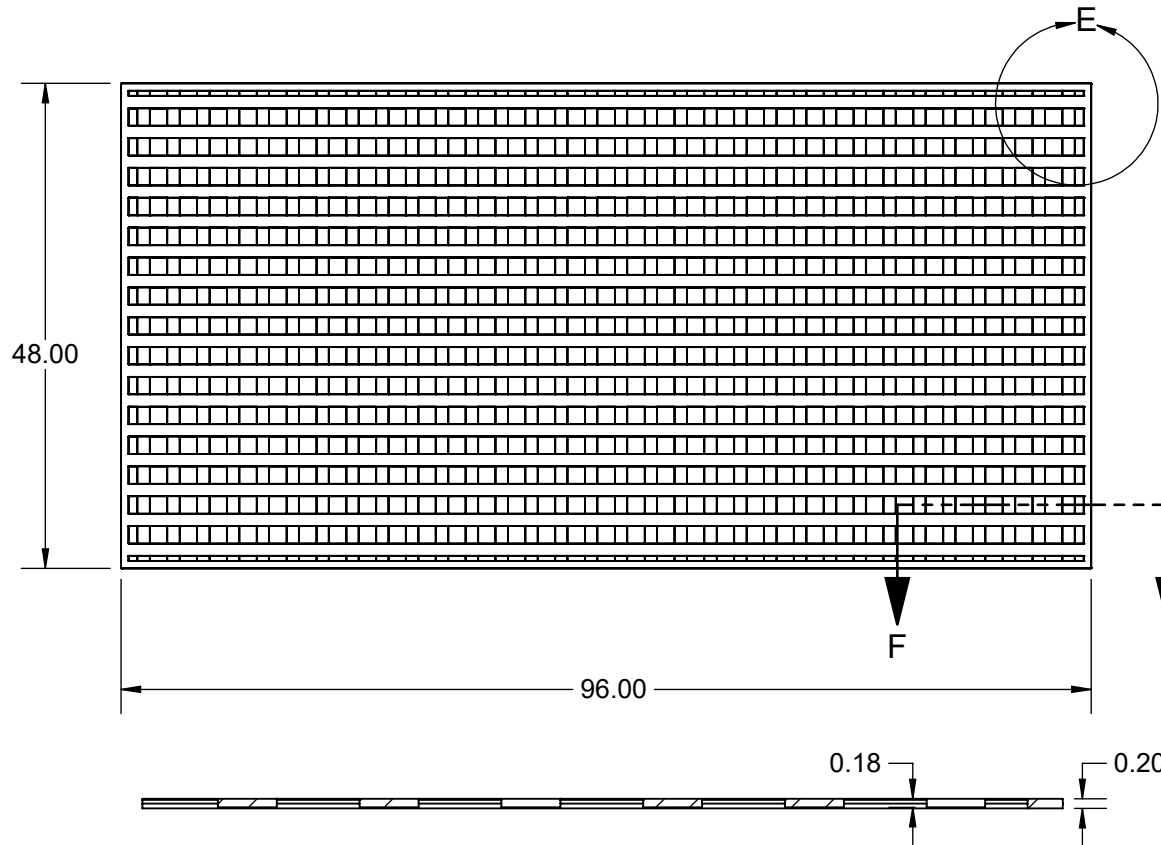
# PRIVACY DIAMOND LATTICE DETAILS



THE INFORMATION CONTAINED IN THIS DRAWING IS PROTECTED BY COPYRIGHT AND PATENT LAWS OF THE UNITED STATES AND OTHER COUNTRIES. ANY REPRODUCTION IN PART OR AS A WHOLE WITHOUT WRITTEN PERMISSION IS PROHIBITED.

<b>Barrette</b> OUTDOOR LIVING		
DRAWN: RP	DATE: 06/06/2018	APPROVED:
DESCRIPTION: <b>PRIVACY DIAMOND LATTICE 4'x8'</b>		
SHEET 2 OF 3	REVISION	PART NUMBER
SCALE 1:20	0	<b>N/A</b>
WEIGHT: N/A		

# PRIVACY SQUARE LATTICE DETAILS



DETAIL E  
SCALE 2 : 17

SECTION F-F  
SCALE 1 : 4

THE INFORMATION CONTAINED IN THIS DRAWING IS PROTECTED BY COPYRIGHT AND PATENT LAWS OF THE UNITED STATES AND OTHER COUNTRIES. ANY REPRODUCTION IN PART OR AS A WHOLE WITHOUT WRITTEN PERMISSION IS PROHIBITED.

<b>Barrette</b> OUTDOOR LIVING		
DRAWN: RP	DATE: 06/06/2018	APPROVED:
DESCRIPTION: <b>PRIVACY SQUARE LATTICE 4'x8'</b>		
SHEET 3 OF 3	REVISION	PART NUMBER
SCALE 1:19	0	<b>N/A</b>
WEIGHT: N/A		