

8 PARTS LISTS

Each item number on the following parts lists can be matched with the item number shown on the corresponding assembly drawing as indicated below.

200lb. PLATFORM HOIST

Refer to Figure 8-1.

Item Number	Part Number	Quantity	Description
1	0401110	1	TOP SHEAVE BRACKET
2	0400575	2	SPRING, BOLT, & NUT – TOP SHEAVE
3	0401424	1	TOP SHEAVE BRACKET MTG HDWR KIT consisting of: 4ea carriage bolt & wing nut
4	0420405		CROSS TIE BRACE*
5	0404804	6	GUIDE ROLLER WHEEL KIT*
6	0404302	1	PIVOT BRACKET
7	0401214	8	TROLLEY WHEEL KIT*
8	0401260	1	MAIN FRAME
9	7300653	1	SNAP SAFETY HOOK
	5805910	1	U-BOLT
	5806367	2	LOCKNUT
	5806401	2	WASHER
10	7806008	1	BUMPER
11	0420401	2	TRACK SWIVEL SHOE MTG BRKT*
12	0420402	2	TRACK SWIVEL SHOE*
13	0420404	2	CROSS TIE STIFFENER
14	0403205	2	PLATFORM SUPPORT BRACE
	0403210	1	SUPPORT BRACE Bag of Bolts
15	0404303	1	PLATFORM FRAME
16	0404811	12	2" DIAMETER WHEEL KIT*
	0403215	1	2" DIAMETER WHEEL BAG (12PC SET)*
17	0400828		TRACK SPLICE PLATE
18	7303600	1	SHEAVE
	5806326	1	CARRIAGE BOLT
	5806370	1	LOCKNUT
	5800831		TRACK SPLICE PLATE NUT & BOLT 1ea.
	0482800		TRACK SPLICE PLATE KIT consisting of: 2 splice plates, 8 ea. nut & bolt
	0401498		TRACK SWIVEL SHOE CONVERSION KIT* consisting of: 2 shoes & 2 mounting brackets

* **HARDWARE INCLUDED**

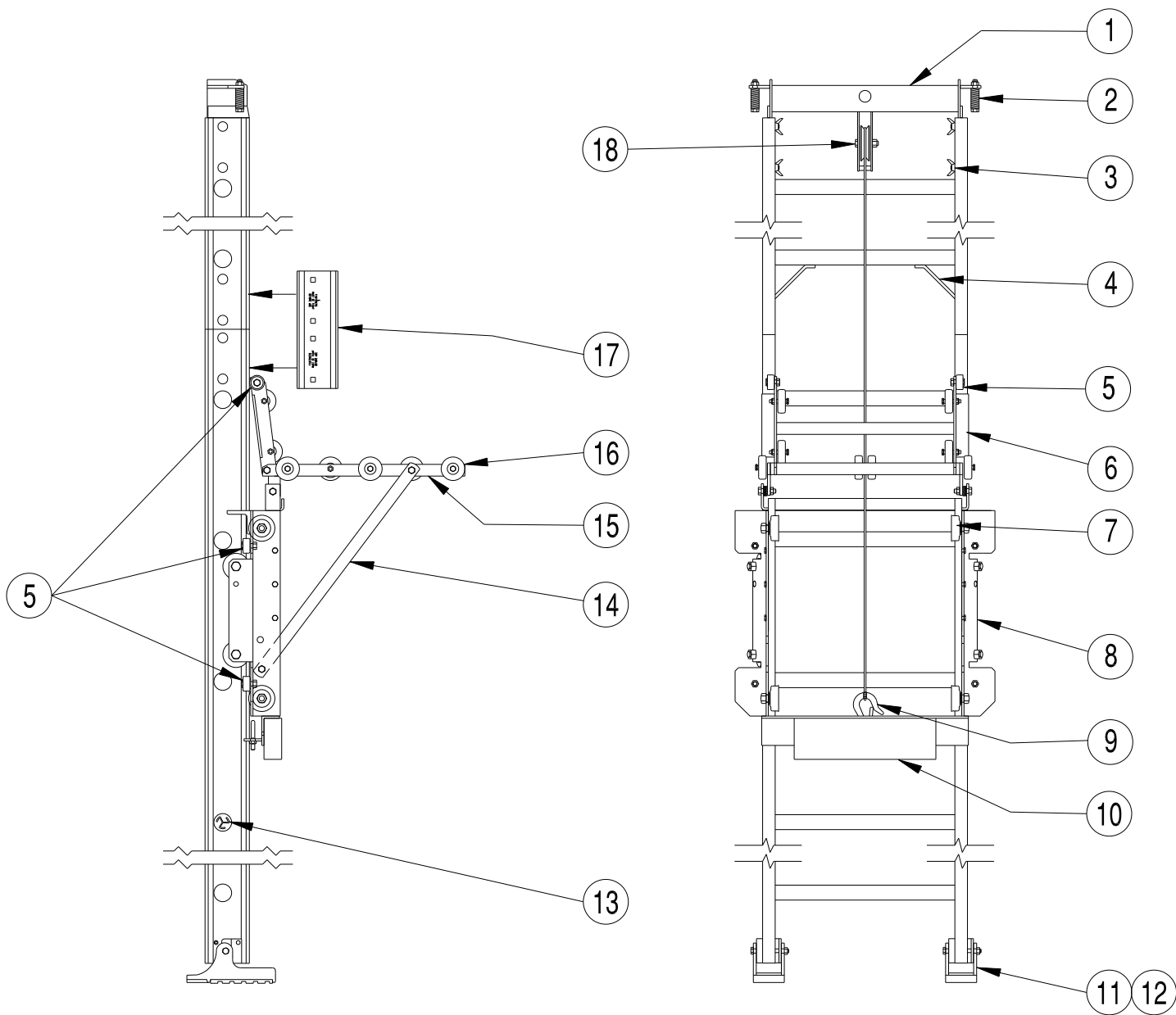


Figure 8-1.
200lb. Platform Hoist Assembly Drawing