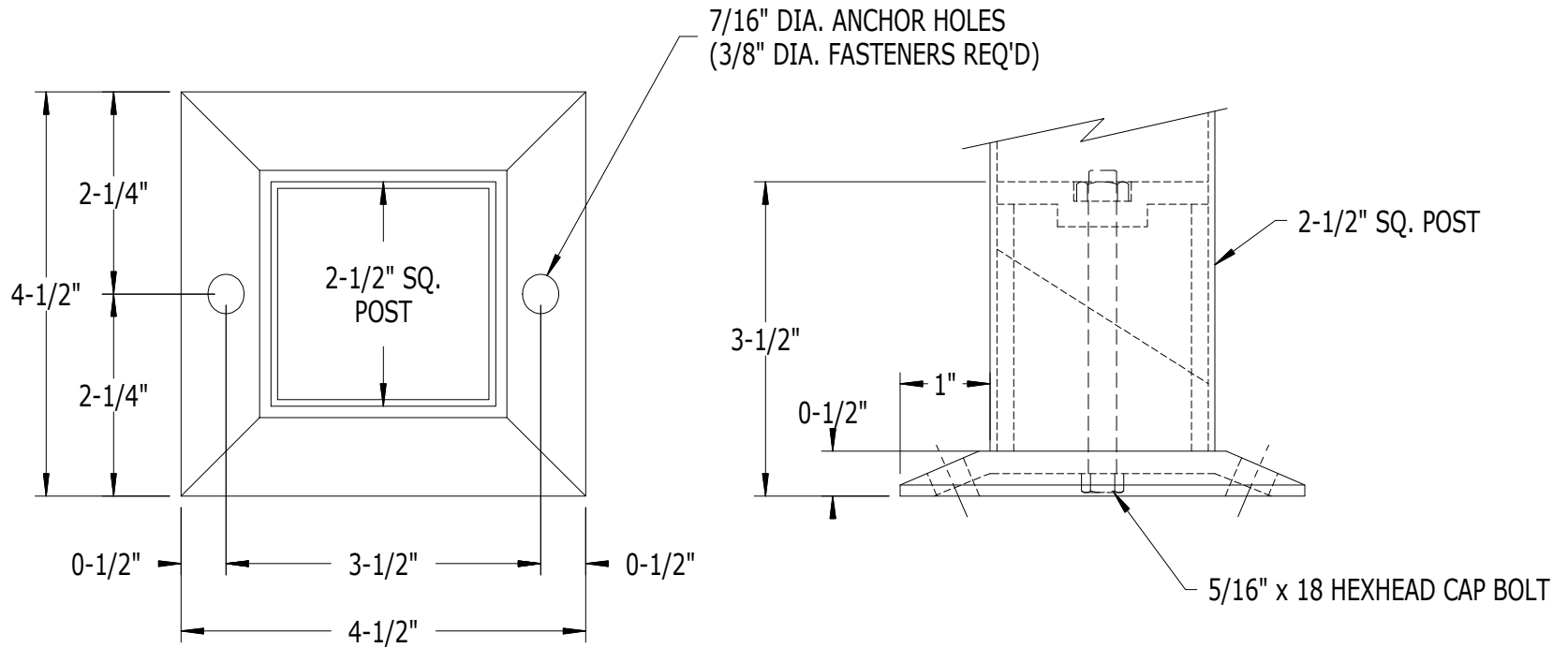


SCALE: 1/2



PART NO.

DESCRIPTION

957

WEDGE BASE
FOR 2-1/2" SQ. POST

SUPERIOR
ALUMINUM PRODUCTS