

Parapet Ladder Safety-Dock Instruction Manual

2-Piece Commercial Ladder Safety-Dock
3-Piece Parapet Ladder Safety-Dock

Part ID: 71069
Part ID: 71070

Keep these instructions for future reference. Read and understand these instructions before using this product.

The Parapet Ladder Safety-Dock is OSHA Compliant and can be installed on both parapet and flat roofs. If installing on flat roofs, see installation for Commercial Ladder Safety-Dock. Scan QR code for flat roof installation.



Tools Required

- Drill
- 14" drill bit for metal or masonry
- Socket bits
- Wrench set
- Reciprocating saw and metal blade

2 - Piece Commercial Ladder Safety-Dock

Part ID: 71069 - Box Contents:

- Parapet Ladder Safety-Dock with chains
- "L" bracket and 2 carriage bolts, washers & nuts
- Safety-Handles and mounting hardware
- 3 - 17" threaded rods with 6 nuts & washers and 3 fender washers, Brace and fasteners

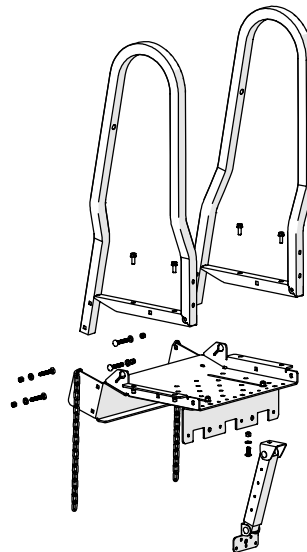
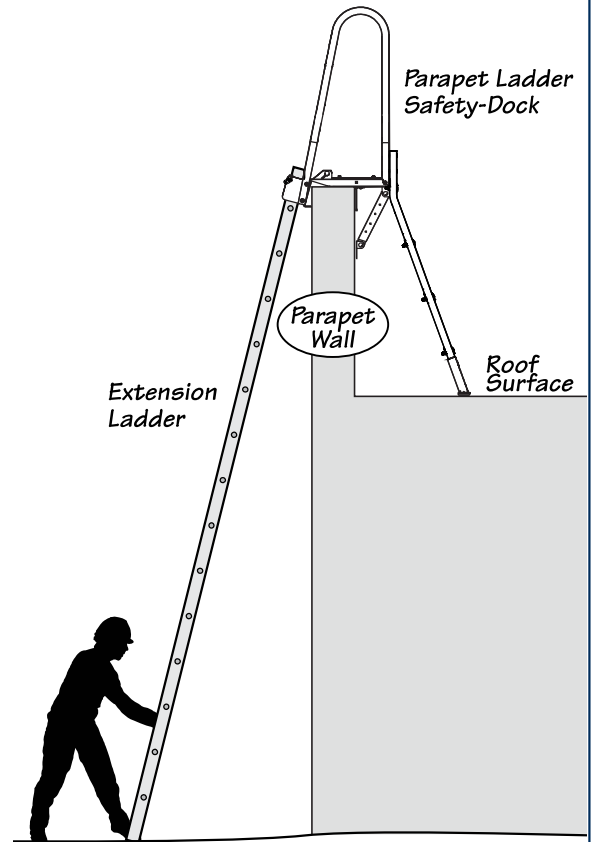
3 - Piece Parapet Ladder

Part ID-71070 - Box 1 & 2 Contents:

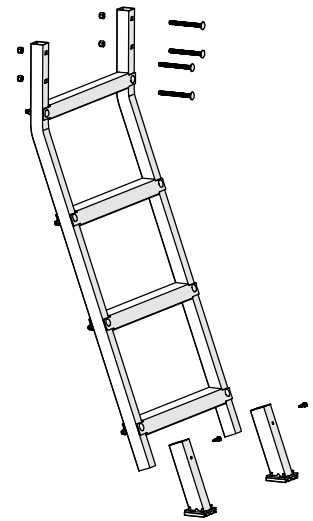
- Parapet Ladder Safety-Dock with chains
- "L" bracket and 2 carriage bolts
- Safety-Handles and mounting hardware
- 3 - 17" threaded rods with 6 nuts & washers and 3 fender washers, Brace and fasteners
- Parapet Safety-Ladder and 4 mounting bolts & nuts
- 2 Ladder feet and 2 self-tapping screws

NOTE:

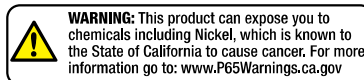
The 2-Piece Ladder Safety-Dock is designed for a 6" to 13" wide parapet. By flipping the "L" Bracket, it can work on up to a 15" wide parapet. However, the 3-Piece Ladder Safety-Dock (with ladder) only works on parapets 6" to 13" wide. Please call office for additional information.



Box 1
2-Piece Commercial Ladder Safety-Dock

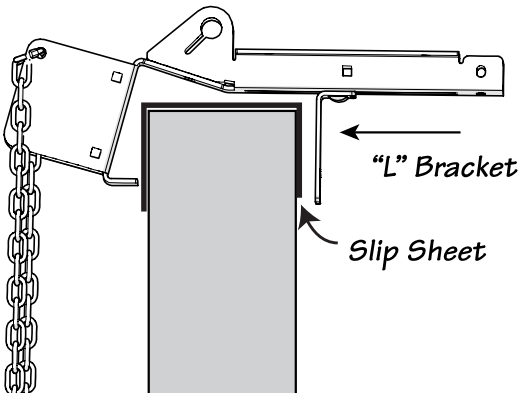


Box 2
3-Piece Parapet Ladder Safety-Dock.



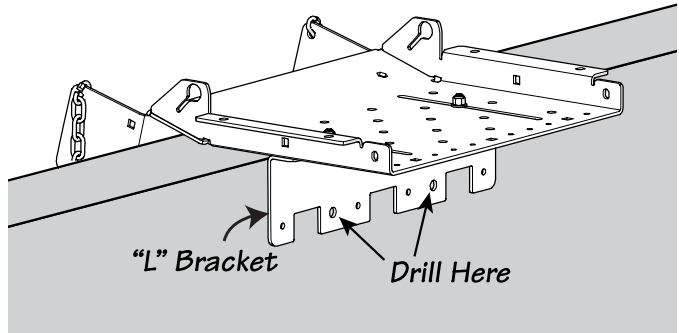
Instruction Sheet #08378
E1837, Rev. 5/25/21

Parapet Ladder Safety Dock



Step 1

Install slip sheet on top of parapet.

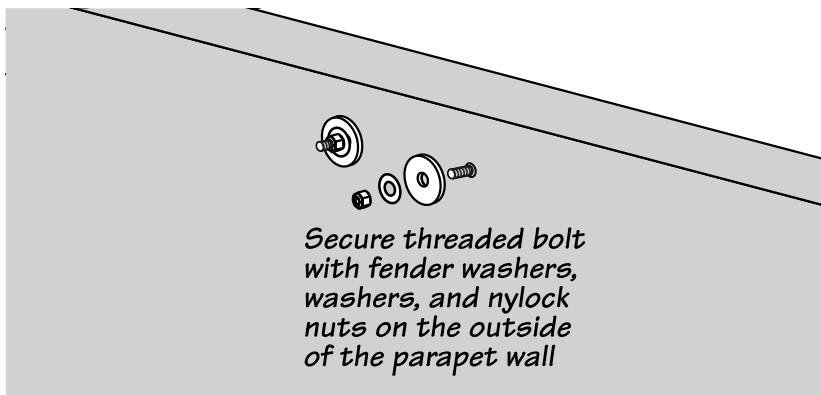


Step 2

Attach "L" Bracket to the dock using two 3/8"x 1" carriage bolts, washer, and nylock nut. Orient "L" Bracket as shown to left.

NOTE:

The 2-Piece Ladder Safety-Dock is designed for a 6" to 13" wide parapet. By flipping the "L" Bracket, it can work on up to a 15" wide parapet. However, the 3-Piece Ladder Safety-Dock (with ladder) only works on parapets 6" to 13" wide. Please call 877-723-3766 for additional information.

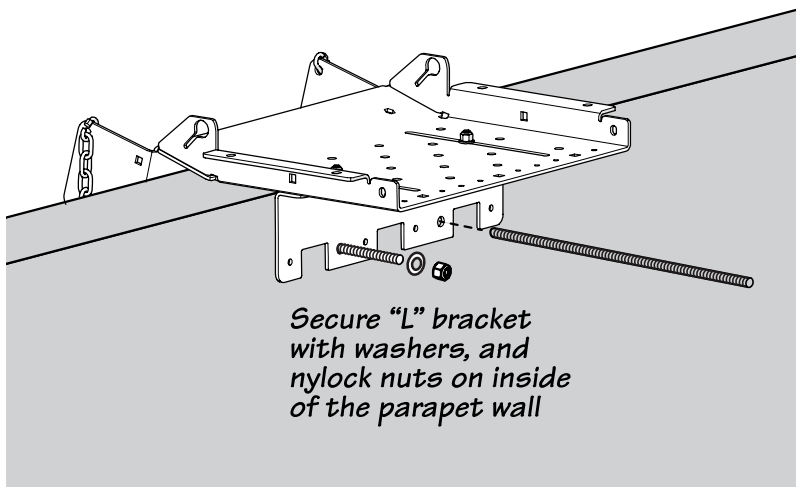


Secure threaded bolt with fender washers, washers, and nylock nuts on the outside of the parapet wall

Step 3

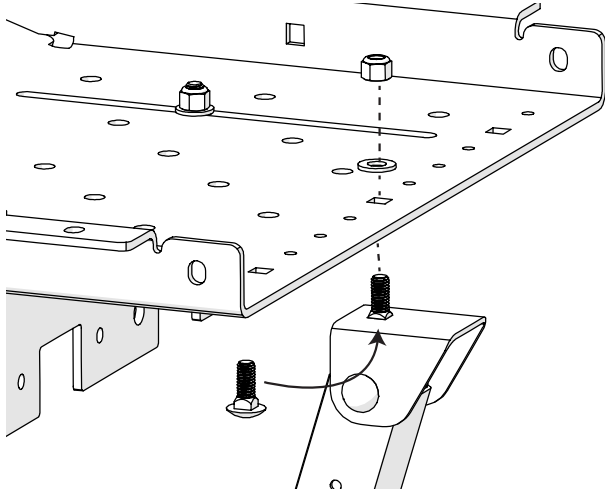
To fasten Ladder Safety-Dock to parapet, drill 2 holes thru parapet at location shown in Step 2. Insert 17" threaded rods thru parapet. Fasten with fender washers, washers, and nylock nuts on outside of parapet and washers and Nylock Nuts on inside of parapet.

IMPORTANT: Cut excess bolts length off to the nut to eliminate snag points. Coat end of bolt with sealant or rust inhibiting paint.

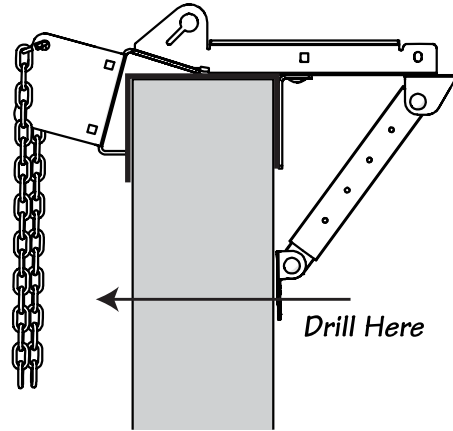


Secure "L" bracket with washers, and nylock nuts on inside of the parapet wall

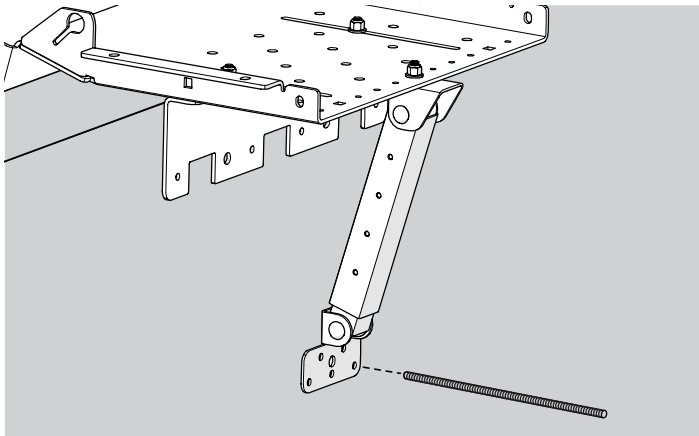
Parapet Ladder Safety Dock



Step 4
Install Brace. Fasten top of Brace to the Dock using a 3/8" x 1" carriage bolt, bolt head down and nut up.

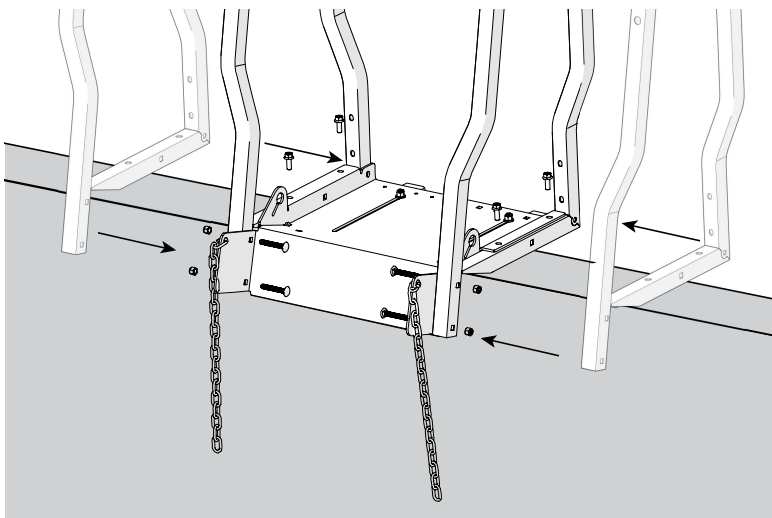


Step 5
Adjust the Brace against the parapet wall. Mark wall and drill thru parapet.



Step 6
Fasten bottom of brace with fender washers, washers, and nylock nuts on outside of parapet and washers and nylock nuts on inside of parapet

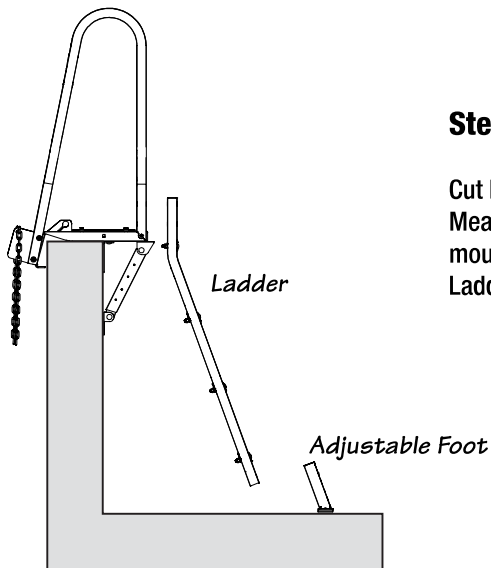
IMPORTANT: Cut excess bolts length off to the nut to eliminate snag points. Coat end of bolt with sealant or rust inhibiting paint.



Step 7

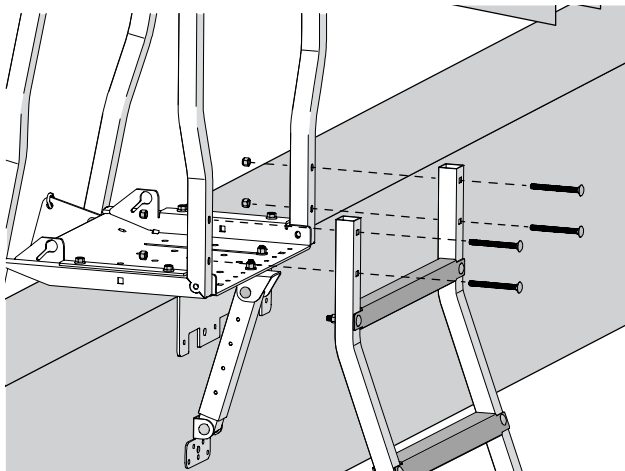
Install Handles. Slide handles between Safety-Dock and parapet as shown left. From the top of the Safety-Dock, fasten handles using two 3/8" x 1" hex head screws each handle. From the side of the Safety-Dock, fasten handles using two 3/8" x 2-1/2" carriage bolts, washers and nylock nuts each handle.

Parapet Ladder Safety Dock



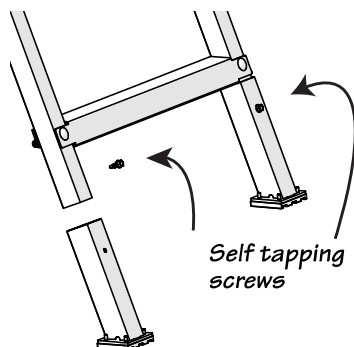
Step 8

Cut Ladder to size. Place ladder on roof and rest against Ladder-Dock. Measure excess ladder from top mounting hole in ladder to top mounting hole on Handle. Cut excess ladder length from the bottom of Ladder. Slide adjustable feet onto bottom of ladder.



Step 9

Attach Safety-Ladder to the Safety-Dock with (4) 3/8" x 4" carriage bolts and 3/8" washers and nylock nuts.



Step 10

Extend the ladder feet down making sure they are touching roof surface, fasten to the ladder using 1/4" x 3/4" self-tapping screws.