

Order Early For "Quick Delivery"  
Call Toll-Free 1-800 Van Mark • Fax-Free 1-888 Van Mark

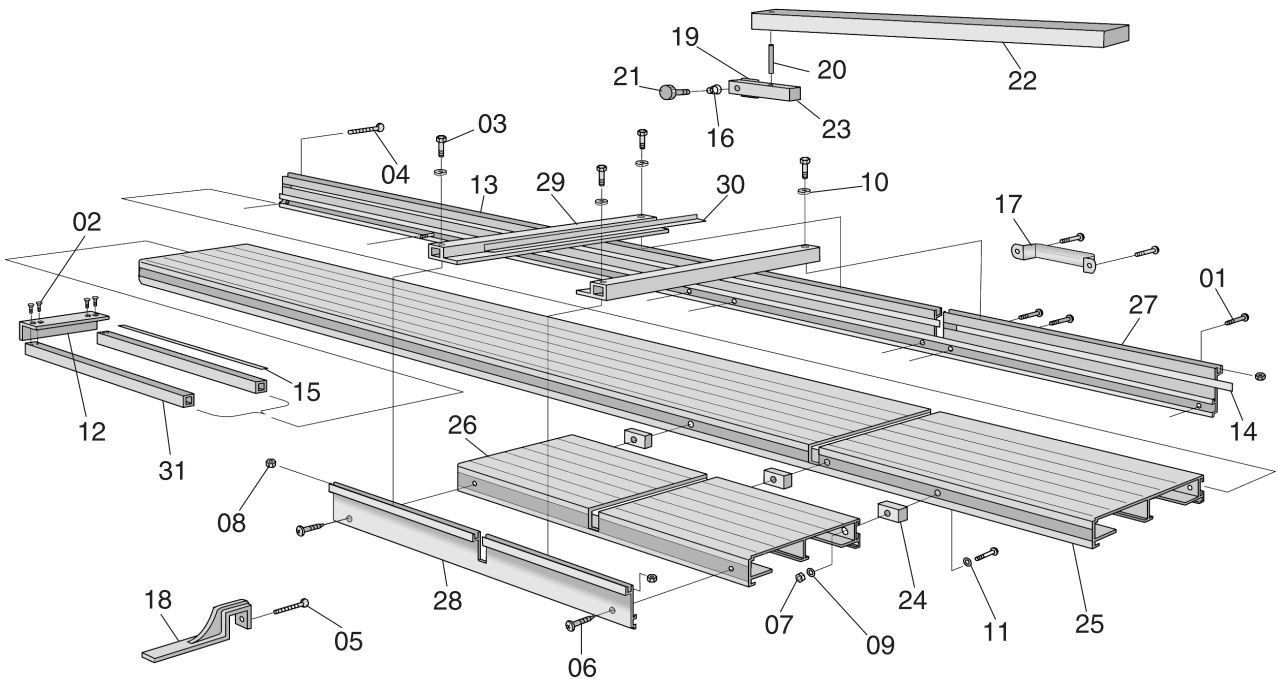
| Ref # | Description            | P/N  |
|-------|------------------------|------|
| 01    | 1/4-20x1" Phil Pan Hd  | 2001 |
| 02    | 10-24x1/2" Phil Ft F   | 2004 |
| 03    | 5/16-18x11/4" HD Cap   | 2011 |
| 04    | 5/16-18x3/4 Shld Thumb | 2024 |
| 05    | 5/16-18x2 Thumbscrew   | 2025 |
| 06    | 1/4-20x1 1/4 RDHD      | 2030 |
| 07    | 1/4-20 Hex Nut         | 2300 |
| 08    | 5/16-18 Hex Nut        | 2304 |
| 09    | 1/4 Washer, Lock       | 2500 |
| 10    | 5/16 Washer, Lock      | 2504 |
| 11    | 1/4 Washer, Flat       | 2510 |
| 12    | Ext. Cross-Bar         | 7007 |
| 13    | Tape Rule, Left        | 7011 |
| 14    | Tape Rule, Right       | 7012 |
| 15    | Tape Rule, Left Ext.   | 7013 |
| 16    | Spring, Screw Retain.  | 7021 |

| Ref # | Description         | P/N             |
|-------|---------------------|-----------------|
| 17    | Handle              | 7022            |
| 18    | Buttstop Casting    | 7024            |
| 19    | Retain. Bracket Nut | 7026            |
| 20    | Spring Pin          | Included w/7031 |
| 21    | Plastic Knob        | 2015            |
| 22    | Miter Bar           | 7030            |
| 23    | Miter Bar Block     | 7031            |
| 24    | Splice Block        | 7038            |
| 25    | Main Top            | 7039            |
| 26    | Apron Top           | 7040            |
| 27    | Main Fence          | 7041            |
| 28    | Apron Fence         | 7042            |
| 29    | Saw Track           | 7043            |
| 30    | Vinyl Strip         | 7044            |
| 31    | Ext. Tube           | 7045            |

Steel Folding Legs  
Part No. 3020  
Fits SureCut SCT90



UniStand Adjustable Part No.  
USA1 Fits SureCut & Other  
Popular Van Mark Tools



VAN MARK PRODUCTS CORPORATION

24145 Industrial Park Drive, Farmington Hills, MI 48335-2864 Michigan 1-248-478-1200

Call Free 1-800-VAN-MARK (1-800-826-6275) Fax Free! 1-888-VAN-MARK (1-888-826-6275)

Web Site: <http://www.van-mark.com>

E-mail: [sales@van-mark.com](mailto:sales@van-mark.com)

Note: Price subject to change without notice. Call for current prices before quoting.

SureCut 90™

Orders must include model and serial no in order to guarantee correct parts are shipped.

\$25.00 minimum order. F.O.B. Farmington Hills, MI.

Payable in U.S. funds only.