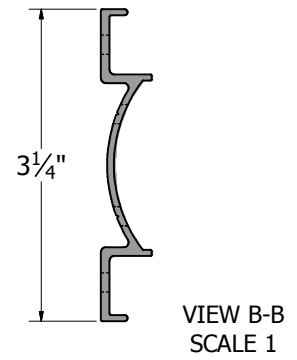
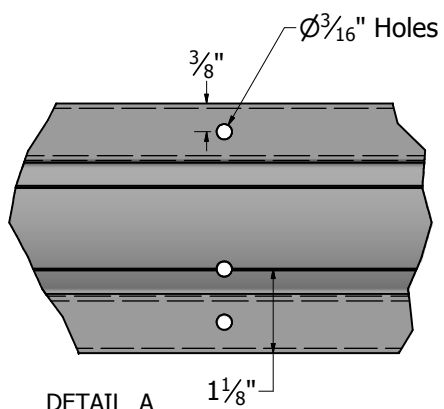
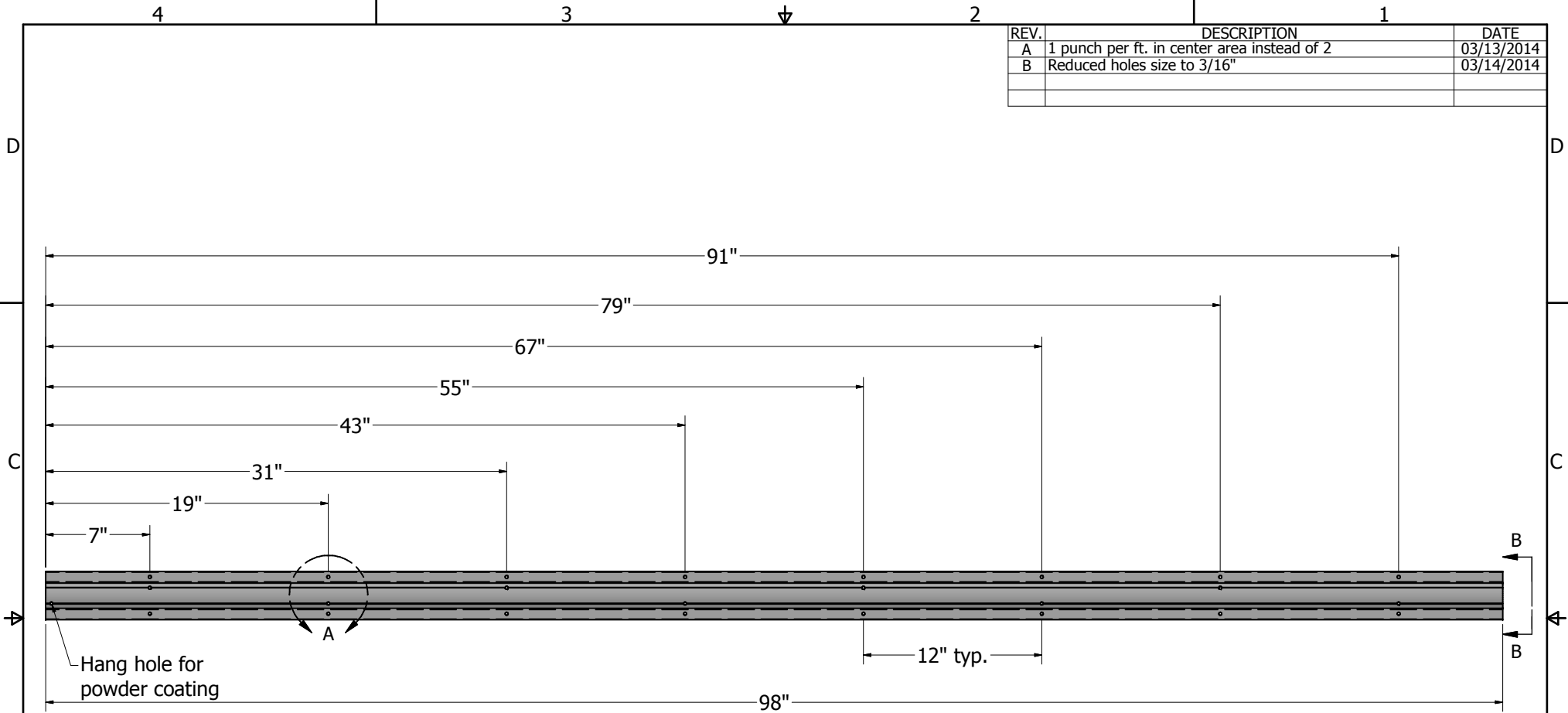



REV.	DESCRIPTION	DATE
A	1 punch per ft. in center area instead of 2	03/13/2014
B	Reduced holes size to 3/16"	03/14/2014



 DSI Digger Specialties Inc. 3446 US 6 EAST BREMEN, IN 46506 www.diggerspecialties.com	WEIGHT: 3.504 lb/pcs	DRAWN BY: fsb	MATERIAL:		
	STANDARD TOLERANCE: .00 .01 .000 .005 ANG. .5~	DATE DRAWN: 3/10/2014	Aluminum		
	FRACTIONS: ± 1/16"	DRAFT NO. 20140310-2F	PART NAME: Drinkrail Adapt 98.idw		
	FILE LOC: Z:\Projects\Projects 2013\Drink Rail\Drinkrail Adapt 98.idw		PART NUMBER: 73280	REV. B	