

6" & 9" Window Headers with Keystone

Installation & Cutting Instructions for 6" and 9" Headers with Keystone

Combines a basic header installation with keystone and cutting.

HEADER BOX INCLUDES:

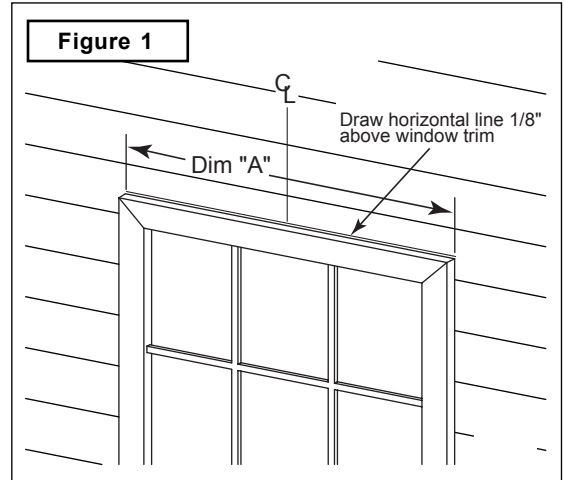
(1) Flat panel or dentil header, (1) header base, (3) fastener packs.

REQUIRED FOR INSTALLATION:

Electric drill, saw, measuring tape, 1/4" drill bit and utility knife.

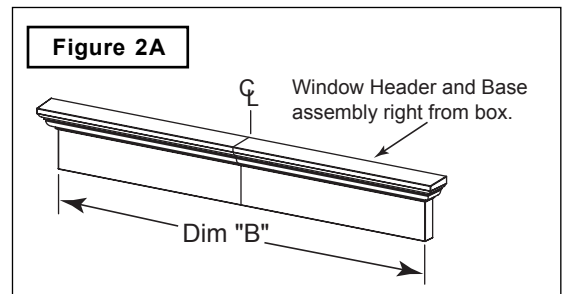
STEP 1

Measure width of window across longest measurement to create Dim (Dimension) A. Draw a horizontal line 1/8" above window trim, to be used to ensure appropriate space between window header and window trim. See Figure 1. If header is too long for window, proceed to Step 2A. If not, proceed to Step 4.



STEP 2A

If window header doesn't match the precise size of your window, you will have to cut the window header. After assembling the window header and window header base, mark the center on the assembly. See Figure 2A.



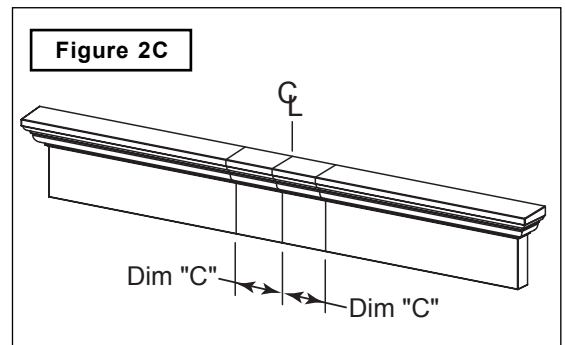
STEP 2B

Subtract Dim. A from Dim. B and divide the measurement in half. The result will be Dim. C. See Figure 2B.

$$\frac{\text{Dim. "B"} - \text{Dim. "A"}}{2} = \text{Dim. "C"}$$

STEP 2C

Transfer Dim. C to the window header assembly twice, once on each side of the centerline. See Figure 2C.



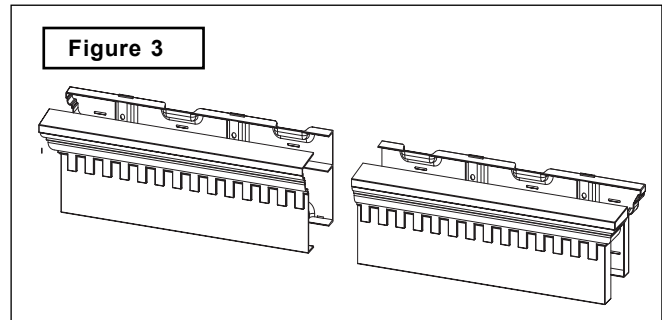
STEP 3

Cut window header and window header base.

6" & 9" Window Header with Keystone, Continued

STEP 4

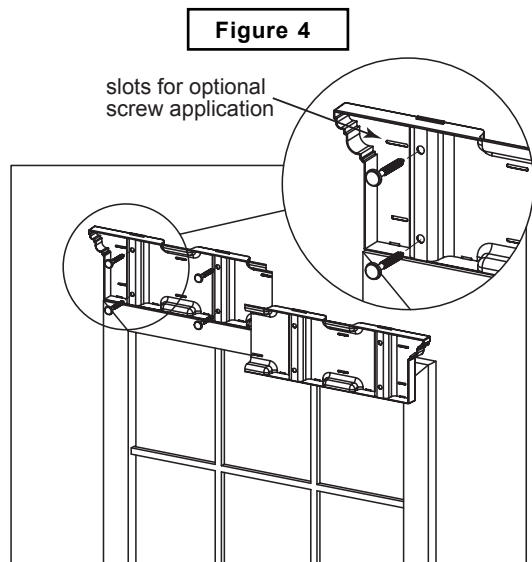
After cutting window header to correct length, disengage the locking tabs and remove the window header from the window header base. Release locks by starting at the open end of the cut header assembly and pull the header wall from the header base. Continue these steps to the end of the cut window header assembly. See Figure 3.



STEP 5

Using the elongated slots in header base, secure the base to the cladding, using the screws provided. An alternative method would be to use Shutter-Loks®. Raised portions of the header base featuring the round holes receive the Shutter-Loks. Attach Shutter-Loks by drilling 1/4" holes into the wall. To allow for expansion and contraction, do not fasten screws or Shutter-Loks too tightly. See Figure 4A.

The window header may rock on the high point of the siding. To overcome this issue, insert screws or Shutter-Loks into wall evenly. See Figures 4A and 4B.



STEP 6

Once window header base is secured to wall, attach the window header by snapping into place. See Figure 5.

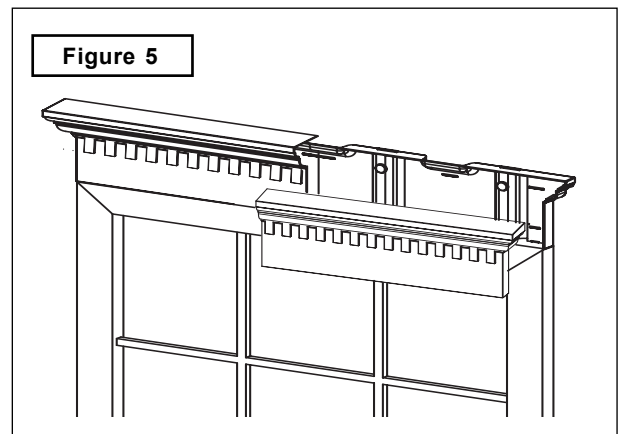


Figure 4A

CORRECT

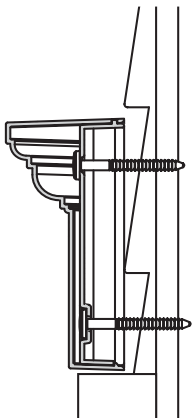


Figure 4B

INCORRECT

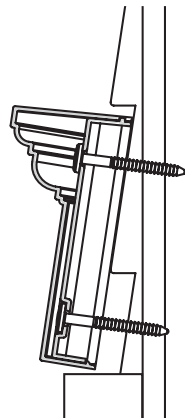


Figure 5

6" & 9" Window Header with Keystone, Continued

STEP 7

Center keystone base over window header assembly. To aid installation, use the tab at the bottom of the keystone base, ensuring the bottom of the tab and bottom of the window header are flush. Screw keystone base into place using enclosed screws. Note that Shutter-Loks can be used to secure the keystone base to the window header. Drill two 1/4" holes through the window header and tray to accept Shutter-Loks. See Figure 6

STEP 8

If the dentil teeth land on the sides of the keystone, it will not properly snap in place unless trimmed. Trim thinned areas on keystone cover with utility knife as shown. See Figure 7.

STEP 9

Snap keystone over keystone base, making sure the locking tabs engage. See Figure 8.

Figure 6

