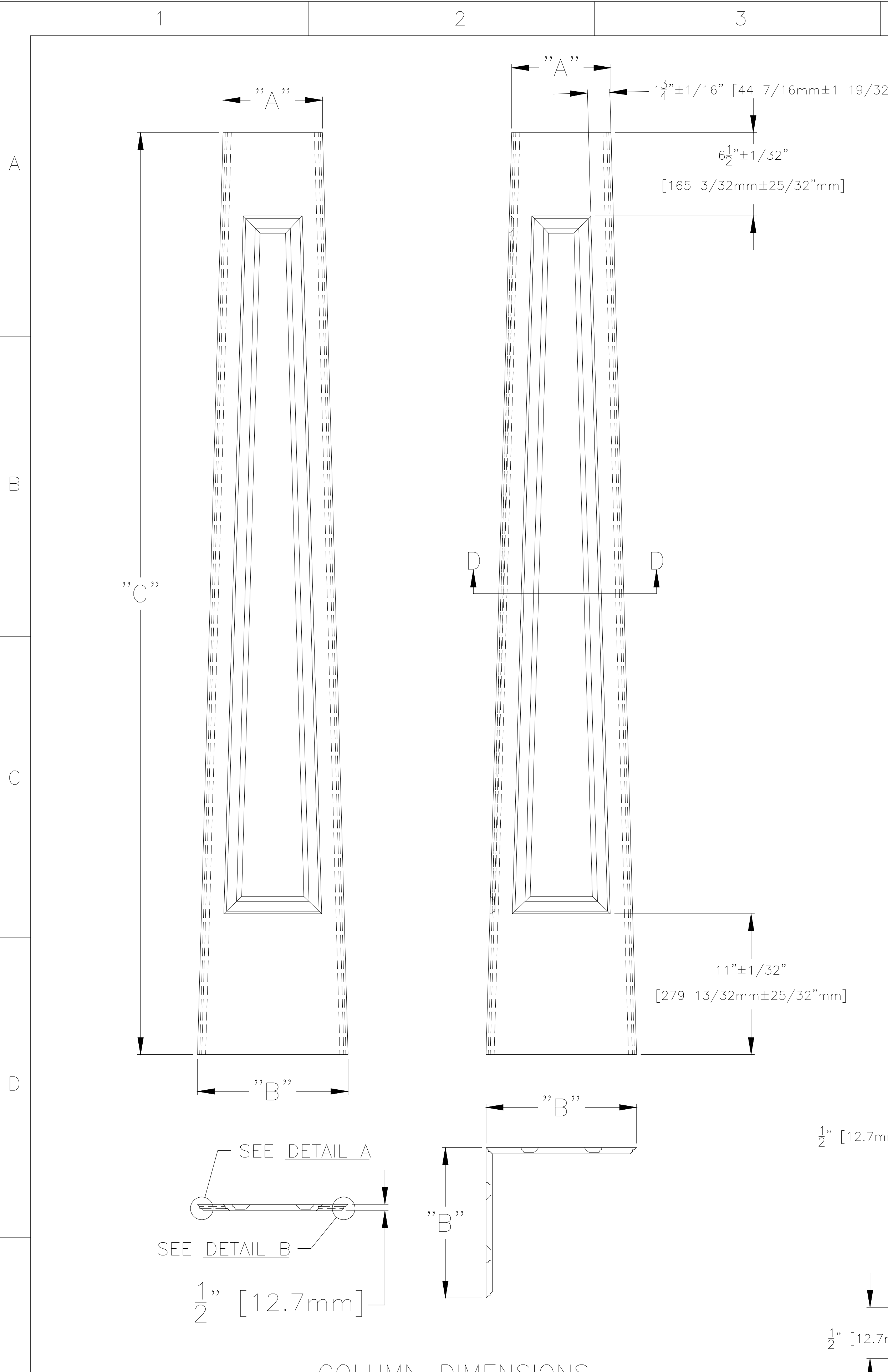


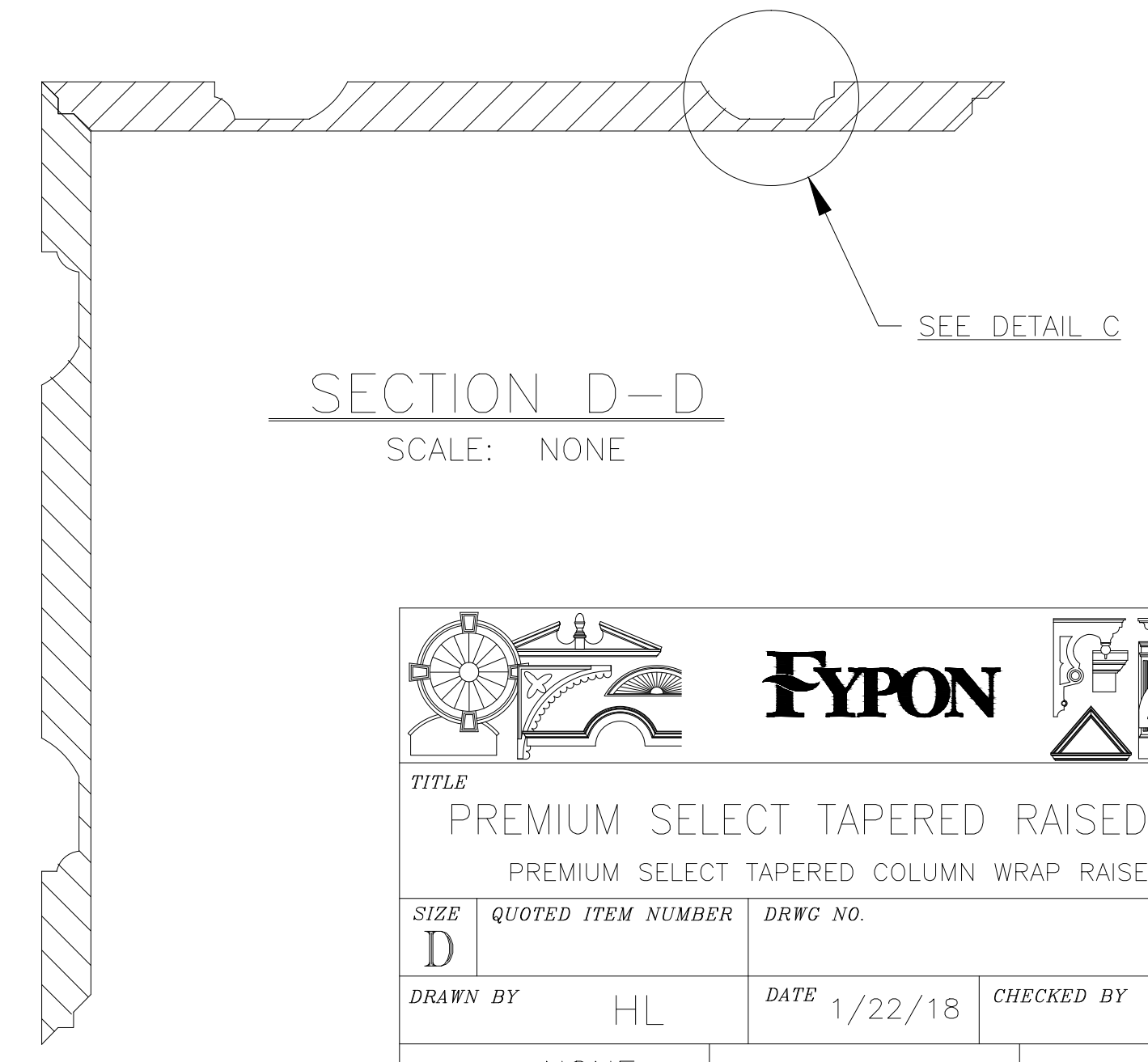
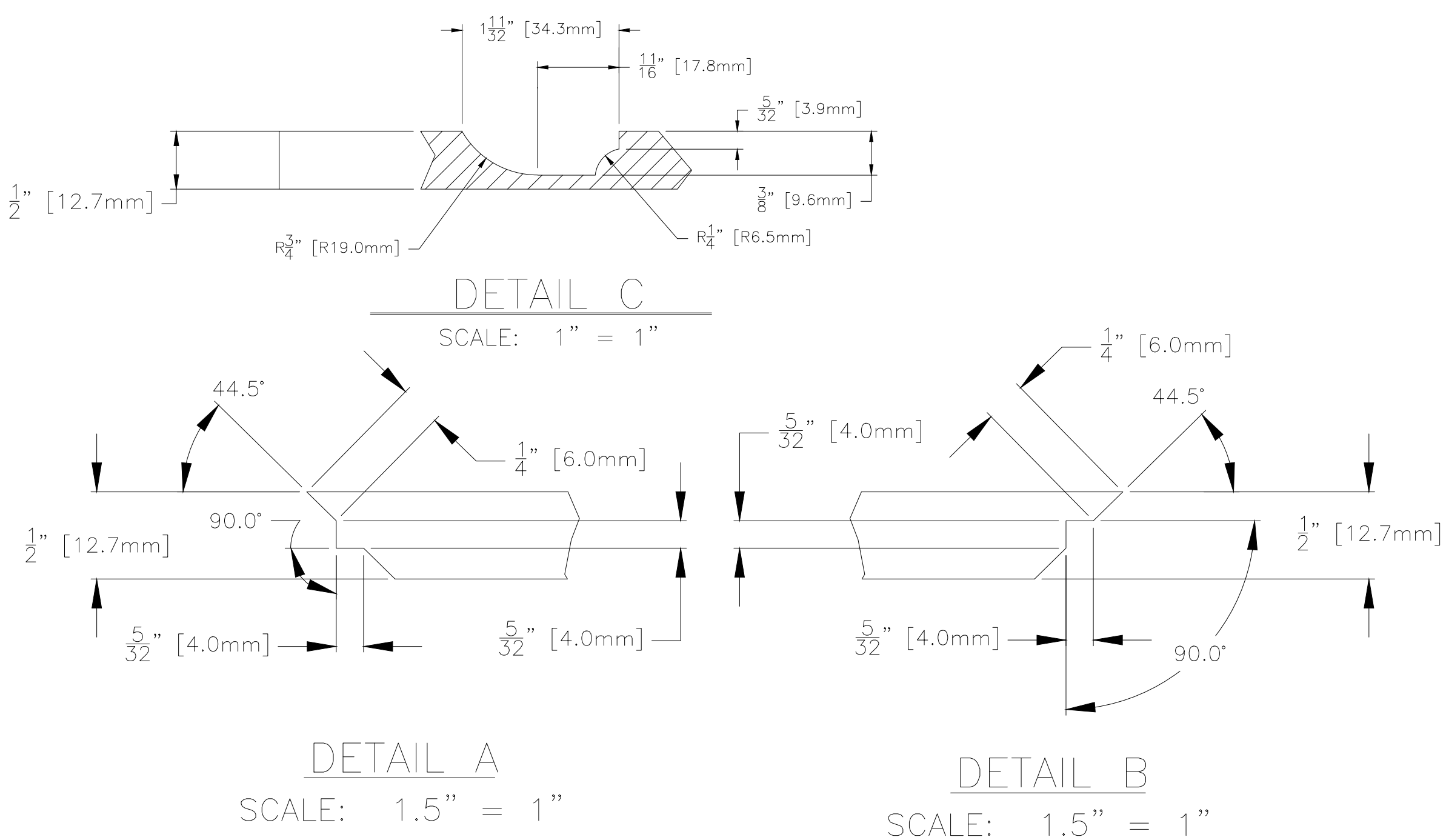
ECO NUMBER	ZONE	REV	DESCRIPTION	DATE	APPROVED



PART NUMBER (Part Number)	1/2" THICK COLUMN (-SA Part Number)	Nominal "A"	Actual "A"	"A" Tolerance	Nominal "B"	Actual "B"	"B" Tolerance	Nominal/Actual "C"	"C" Tolerance
CWPM8X12X48TRS	CW4TRP8X12X48-SA	8"	7 3/4" [196.9mm]	+0" [0mm] -1/16" [1.6mm]	12"	11 3/4" [298.5mm]	+0" [0mm] -1/16" [1.6mm]	48" [1219.2mm]	+1/4" [6.4mm] -0" [0mm]
CWPM8X12X54TRS	CW4TRP8X12X54-SA	8"	7 3/4" [196.9mm]	+0" [0mm] -1/16" [1.6mm]	12"	11 3/4" [298.5mm]	+0" [0mm] -1/16" [1.6mm]	54" [1371.6mm]	+1/4" [6.4mm] -0" [0mm]
CWPM8X12X60TRS	CW4TRP8X12X60-SA	8"	7 3/4" [196.9mm]	+0" [0mm] -1/16" [1.6mm]	12"	11 3/4" [298.5mm]	+0" [0mm] -1/16" [1.6mm]	60" [1524.0mm]	+1/4" [6.4mm] -0" [0mm]
CWPM8X12X66TRS	CW4TRP8X12X66-SA	8"	7 3/4" [196.9mm]	+0" [0mm] -1/16" [1.6mm]	12"	11 3/4" [298.5mm]	+0" [0mm] -1/16" [1.6mm]	66" [1676.4mm]	+1/4" [6.4mm] -0" [0mm]
CWPM8X12X72TRS	CW4TRP8X12X72-SA	8"	7 3/4" [196.9mm]	+0" [0mm] -1/16" [1.6mm]	12"	11 3/4" [298.5mm]	+0" [0mm] -1/16" [1.6mm]	72" [1828.8mm]	+1/4" [6.4mm] -0" [0mm]
CWPM8X12X96TRS	CW4TRP8X12X96-SA	8"	7 3/4" [196.9mm]	+0" [0mm] -1/16" [1.6mm]	12"	11 3/4" [298.5mm]	+0" [0mm] -1/16" [1.6mm]	96" [2438.4mm]	+1/4" [6.4mm] -0" [0mm]
CWPM11X16X48TRS	CW4TRP11X16X48-SA	11"	10 3/4" [273.1mm]	+0" [0mm] -1/16" [1.6mm]	16"	15 3/4" [400.1mm]	+0" [0mm] -1/16" [1.6mm]	48" [1219.2mm]	+1/4" [6.4mm] -0" [0mm]
CWPM11X16X54TRS	CW4TRP11X16X54-SA	11"	10 3/4" [273.1mm]	+0" [0mm] -1/16" [1.6mm]	16"	15 3/4" [400.1mm]	+0" [0mm] -1/16" [1.6mm]	54" [1371.6mm]	+1/4" [6.4mm] -0" [0mm]
CWPM11X16X60TRS	CW4TRP11X16X60-SA	11"	10 3/4" [273.1mm]	+0" [0mm] -1/16" [1.6mm]	16"	15 3/4" [400.1mm]	+0" [0mm] -1/16" [1.6mm]	60" [1524.0mm]	+1/4" [6.4mm] -0" [0mm]
CWPM11X16X66TRS	CW4TRP11X16X66-SA	11"	10 3/4" [273.1mm]	+0" [0mm] -1/16" [1.6mm]	16"	15 3/4" [400.1mm]	+0" [0mm] -1/16" [1.6mm]	66" [1676.4mm]	+1/4" [6.4mm] -0" [0mm]
CWPM11X16X72TRS	CW4TRP11X16X72-SA	11"	10 3/4" [273.1mm]	+0" [0mm] -1/16" [1.6mm]	16"	15 3/4" [400.1mm]	+0" [0mm] -1/16" [1.6mm]	72" [1828.8mm]	+1/4" [6.4mm] -0" [0mm]
CWPM11X16X96TRS	CW4TRP11X16X96-SA	11"	10 3/4" [273.1mm]	+0" [0mm] -1/16" [1.6mm]	16"	15 3/4" [400.1mm]	+0" [0mm] -1/16" [1.6mm]	96" [2438.4mm]	+1/4" [6.4mm] -0" [0mm]
CWPM13X20X48TRS	CW4TRP13X20X48-SA	13"	12 3/4" [323.9mm]	+0" [0mm] -1/16" [1.6mm]	20"	19 3/4" [501.7mm]	+0" [0mm] -1/16" [1.6mm]	48" [1219.2mm]	+1/4" [6.4mm] -0" [0mm]
CWPM13X20X54TRS	CW4TRP13X20X54-SA	13"	12 3/4" [323.9mm]	+0" [0mm] -1/16" [1.6mm]	20"	19 3/4" [501.7mm]	+0" [0mm] -1/16" [1.6mm]	54" [1371.6mm]	+1/4" [6.4mm] -0" [0mm]
CWPM13X20X60TRS	CW4TRP13X20X60-SA	13"	12 3/4" [323.9mm]	+0" [0mm] -1/16" [1.6mm]	20"	19 3/4" [501.7mm]	+0" [0mm] -1/16" [1.6mm]	60" [1524.0mm]	+1/4" [6.4mm] -0" [0mm]
CWPM13X20X66TRS	CW4TRP13X20X66-SA	13"	12 3/4" [323.9mm]	+0" [0mm] -1/16" [1.6mm]	20"	19 3/4" [501.7mm]	+0" [0mm] -1/16" [1.6mm]	66" [1676.4mm]	+1/4" [6.4mm] -0" [0mm]
CWPM13X20X72TRS	CW4TRP13X20X72-SA	13"	12 3/4" [323.9mm]	+0" [0mm] -1/16" [1.6mm]	20"	19 3/4" [501.7mm]	+0" [0mm] -1/16" [1.6mm]	72" [1828.8mm]	+1/4" [6.4mm] -0" [0mm]
CWPM13X20X96TRS	CW4TRP13X20X96-SA	13"	12 3/4" [323.9mm]	+0" [0mm] -1/16" [1.6mm]	20"	19 3/4" [501.7mm]	+0" [0mm] -1/16" [1.6mm]	96" [2438.4mm]	+1/4" [6.4mm] -0" [0mm]
CWPM16X24X48TRS	CW4TRP16X24X48-SA	16"	15 3/4" [400.1mm]	+0" [0mm] -1/16" [1.6mm]	24"	23 3/4" [603.3mm]	+0" [0mm] -1/16" [1.6mm]	48" [1219.2mm]	+1/4" [6.4mm] -0" [0mm]
CWPM16X24X54TRS	CW4TRP16X24X54-SA	16"	15 3/4" [400.1mm]	+0" [0mm] -1/16" [1.6mm]	24"	23 3/4" [603.3mm]	+0" [0mm] -1/16" [1.6mm]	54" [1371.6mm]	+1/4" [6.4mm] -0" [0mm]
CWPM16X24X60TRS	CW4TRP16X24X60-SA	16"	15 3/4" [400.1mm]	+0" [0mm] -1/16" [1.6mm]	24"	23 3/4" [603.3mm]	+0" [0mm] -1/16" [1.6mm]	60" [1524.0mm]	+1/4" [6.4mm] -0" [0mm]
CWPM16X24X66TRS	CW4TRP16X24X66-SA	16"	15 3/4" [400.1mm]	+0" [0mm] -1/16" [1.6mm]	24"	23 3/4" [603.3mm]	+0" [0mm] -1/16" [1.6mm]	66" [1676.4mm]	+1/4" [6.4mm] -0" [0mm]
CWPM16X24X72TRS	CW4TRP16X24X72-SA	16"	15 3/4" [400.1mm]	+0" [0mm] -1/16" [1.6mm]	24"	23 3/4" [603.3mm]	+0" [0mm] -1/16" [1.6mm]	72" [1828.8mm]	+1/4" [6.4mm] -0" [0mm]
CWPM16X24X96TRS	CW4TRP16X24X96-SA	16"	15 3/4" [400.1mm]	+0" [0mm] -1/16" [1.6mm]	24"	23 3/4" [603.3mm]	+0" [0mm] -1/16" [1.6mm]	96" [2438.4mm]	+1/4" [6.4mm] -0" [0mm]

COLUMN DIMENSIONS

Qty.	Nominal "A"	Actual "A"	"A" Tolerance	Nominal/Actual "B"	"B" Tolerance	Nominal/Actual "C"	"C" Tolerance
4	SEE TABLE	SEE TABLE	+0" [0mm] -1/16" [1.6mm]	SEE TABLE	+0" [0mm] -1/16" [1.6mm]	SEE TABLE	+1/4" [6.4mm] -0" [0mm]



FYPON

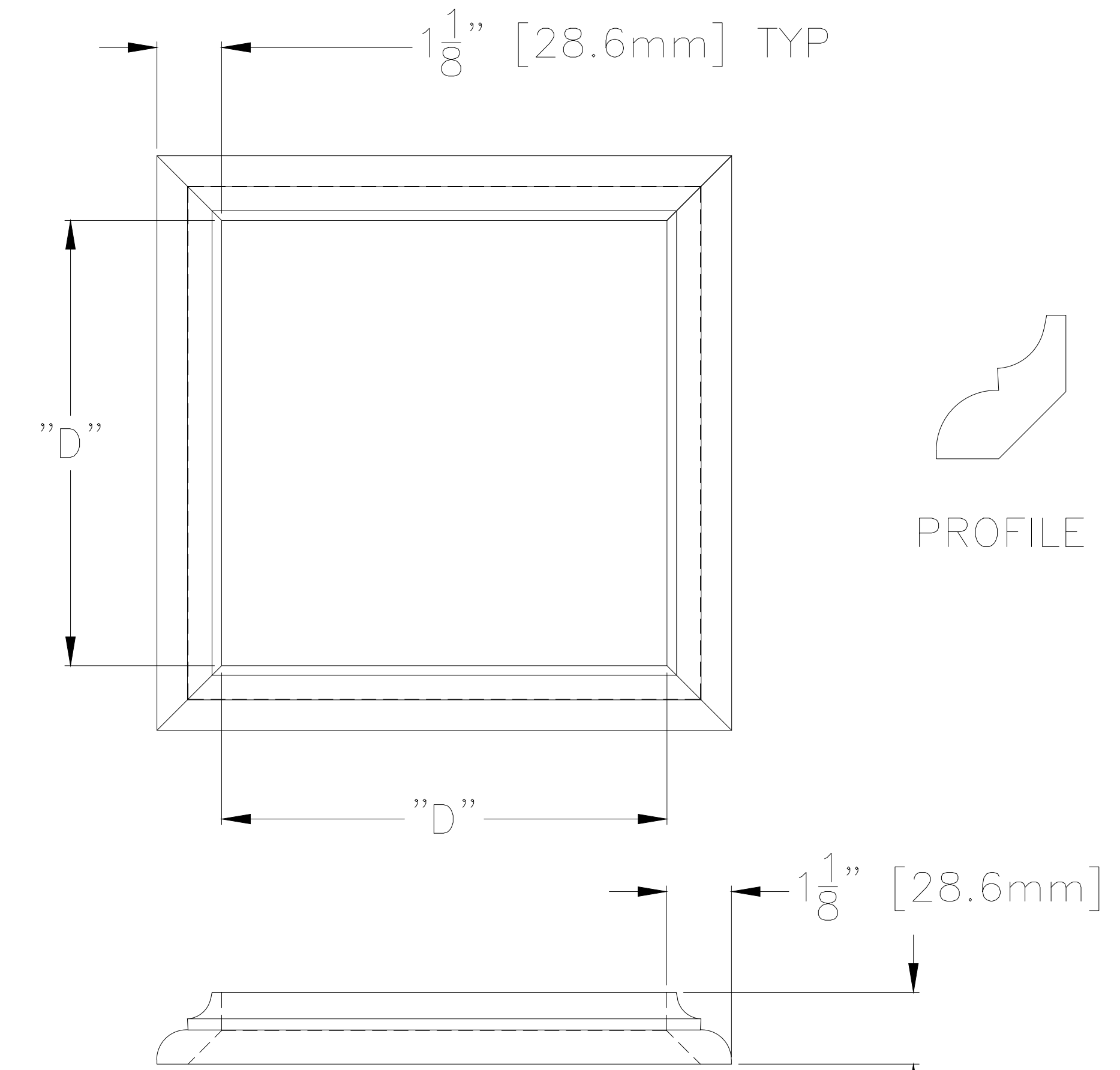
TITLE: PREMIUM SELECT TAPERED RAISED (TRS)
 PREMIUM SELECT TAPERED COLUMN WRAP RAISED KIT

SIZE D	QUOTED ITEM NUMBER	DRWG NO.	REV 0
DRAWN BY HL	DATE 1/22/18	CHECKED BY	CHECKED BY
SCALE NONE	DO NOT SCALE DRAWING	SHEET 1 OF 2	

UNLESS OTHERWISE SPECIFIED, ALL DIMENSIONS ARE IN INCHES

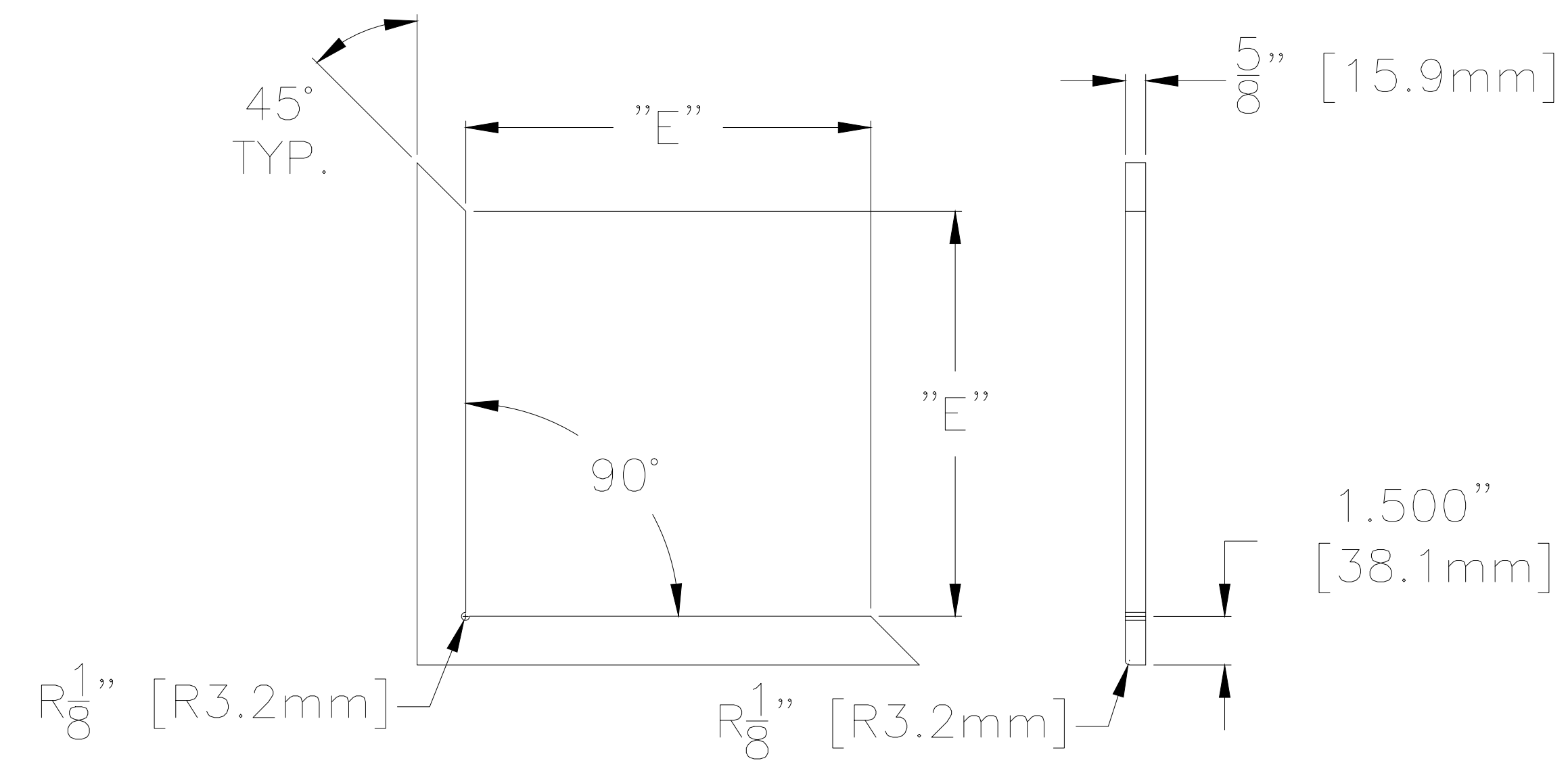
ECO NUMBER	ZONE	REV	DESCRIPTION	DATE	APPROVED

PART NUMBER (Part Number)	5/8" THICK CLEAT CAP (-SA Part Number)	CAP CLEAT "E"	5/8" THICK CLEAT BASE (-SA Part Number)	BASE CLEAT "E"	CRAFTSMAN CAP (-SA Part Number)	CAP "D"	CRAFTSMAN BASE (-SA Part Number)	BASE "D"
CWPM8X12X48TRS	CW8CLT1-1/2-SA	7 25/32" [197.6mm]	CW12CLT1-1/2-SA	11 25/32" [299.2mm]	CW8CFC&B-SA	8 3/16"	CW12CFC&B-SA	12 3/16"
CWPM8X12X54TRS	CW8CLT1-1/2-SA	7 25/32" [197.6mm]	CW12CLT1-1/2-SA	11 25/32" [299.2mm]	CW8CFC&B-SA	8 3/16"	CW12CFC&B-SA	12 3/16"
CWPM8X12X60TRS	CW8CLT1-1/2-SA	7 25/32" [197.6mm]	CW12CLT1-1/2-SA	11 25/32" [299.2mm]	CW8CFC&B-SA	8 3/16"	CW12CFC&B-SA	12 3/16"
CWPM8X12X66TRS	CW8CLT1-1/2-SA	7 25/32" [197.6mm]	CW12CLT1-1/2-SA	11 25/32" [299.2mm]	CW8CFC&B-SA	8 3/16"	CW12CFC&B-SA	12 3/16"
CWPM8X12X72TRS	CW8CLT1-1/2-SA	7 25/32" [197.6mm]	CW12CLT1-1/2-SA	11 25/32" [299.2mm]	CW8CFC&B-SA	8 3/16"	CW12CFC&B-SA	12 3/16"
CWPM8X12X96TRS	CW8CLT1-1/2-SA	7 25/32" [197.6mm]	CW12CLT1-1/2-SA	11 25/32" [299.2mm]	CW8CFC&B-SA	8 3/16"	CW12CFC&B-SA	12 3/16"
CWPM11X16X48TRS	CW11CLT1-1/2-SA	10 25/32" [273.8mm]	CW16CLT1-1/2-SA	15 25/32" [400.8mm]	CW11CFC&B-SA	11 3/16"	CW16CFC&B-SA	16 3/16"
CWPM11X16X54TRS	CW11CLT1-1/2-SA	10 25/32" [273.8mm]	CW16CLT1-1/2-SA	15 25/32" [400.8mm]	CW11CFC&B-SA	11 3/16"	CW16CFC&B-SA	16 3/16"
CWPM11X16X60TRS	CW11CLT1-1/2-SA	10 25/32" [273.8mm]	CW16CLT1-1/2-SA	15 25/32" [400.8mm]	CW11CFC&B-SA	11 3/16"	CW16CFC&B-SA	16 3/16"
CWPM11X16X66TRS	CW11CLT1-1/2-SA	10 25/32" [273.8mm]	CW16CLT1-1/2-SA	15 25/32" [400.8mm]	CW11CFC&B-SA	11 3/16"	CW16CFC&B-SA	16 3/16"
CWPM11X16X72TRS	CW11CLT1-1/2-SA	10 25/32" [273.8mm]	CW16CLT1-1/2-SA	15 25/32" [400.8mm]	CW11CFC&B-SA	11 3/16"	CW16CFC&B-SA	16 3/16"
CWPM11X16X96TRS	CW11CLT1-1/2-SA	10 25/32" [273.8mm]	CW16CLT1-1/2-SA	15 25/32" [400.8mm]	CW11CFC&B-SA	11 3/16"	CW16CFC&B-SA	16 3/16"
CWPM13X20X48TRS	CW13CLT1-1/2-SA	12 25/32" [324.6mm]	CW20CLT1-1/2-SA	19 25/32" [502.4mm]	CW13CFC&B-SA	13 3/16"	CW20CFC&B-SA	20 3/16"
CWPM13X20X54TRS	CW13CLT1-1/2-SA	12 25/32" [324.6mm]	CW20CLT1-1/2-SA	19 25/32" [502.4mm]	CW13CFC&B-SA	13 3/16"	CW20CFC&B-SA	20 3/16"
CWPM13X20X60TRS	CW13CLT1-1/2-SA	12 25/32" [324.6mm]	CW20CLT1-1/2-SA	19 25/32" [502.4mm]	CW13CFC&B-SA	13 3/16"	CW20CFC&B-SA	20 3/16"
CWPM13X20X66TRS	CW13CLT1-1/2-SA	12 25/32" [324.6mm]	CW20CLT1-1/2-SA	19 25/32" [502.4mm]	CW13CFC&B-SA	13 3/16"	CW20CFC&B-SA	20 3/16"
CWPM13X20X72TRS	CW13CLT1-1/2-SA	12 25/32" [324.6mm]	CW20CLT1-1/2-SA	19 25/32" [502.4mm]	CW13CFC&B-SA	13 3/16"	CW20CFC&B-SA	20 3/16"
CWPM13X20X96TRS	CW13CLT1-1/2-SA	12 25/32" [324.6mm]	CW20CLT1-1/2-SA	19 25/32" [502.4mm]	CW13CFC&B-SA	13 3/16"	CW20CFC&B-SA	20 3/16"
CWPM16X24X48TRS	CW16CLT1-1/2-SA	15 25/32" [400.8mm]	CW24CLT1-1/2-SA	23 25/32" [604.0mm]	CW16CFC&B-SA	16 3/16"	CW24CFC&B-SA	24 3/16"
CWPM16X24X54TRS	CW16CLT1-1/2-SA	15 25/32" [400.8mm]	CW24CLT1-1/2-SA	23 25/32" [604.0mm]	CW16CFC&B-SA	16 3/16"	CW24CFC&B-SA	24 3/16"
CWPM16X24X60TRS	CW16CLT1-1/2-SA	15 25/32" [400.8mm]	CW24CLT1-1/2-SA	23 25/32" [604.0mm]	CW16CFC&B-SA	16 3/16"	CW24CFC&B-SA	24 3/16"
CWPM16X24X66TRS	CW16CLT1-1/2-SA	15 25/32" [400.8mm]	CW24CLT1-1/2-SA	23 25/32" [604.0mm]	CW16CFC&B-SA	16 3/16"	CW24CFC&B-SA	24 3/16"
CWPM16X24X72TRS	CW16CLT1-1/2-SA	15 25/32" [400.8mm]	CW24CLT1-1/2-SA	23 25/32" [604.0mm]	CW16CFC&B-SA	16 3/16"	CW24CFC&B-SA	24 3/16"
CWPM16X24X96TRS	CW16CLT1-1/2-SA	15 25/32" [400.8mm]	CW24CLT1-1/2-SA	23 25/32" [604.0mm]	CW16CFC&B-SA	16 3/16"	CW24CFC&B-SA	24 3/16"



CRAFTSMAN CAP & BASE DIMENSIONS

Style	Qty.	CAP "D"	Qty.	BASE "D"
Craftsman	4	SEE TABLE	4	SEE TABLE



CLEAT DIMENSIONS
NOTE: 4 CLEATS REQUIRED PER SHAFT.

Style	Qty.	CAP CLEAT "E"	Qty.	BASE CLEAT "E"	"E" Tolerance
Craftsman	2	SEE TABLE	2	SEE TABLE	+1/16" [1.6mm] -0" [0mm]

FYRON

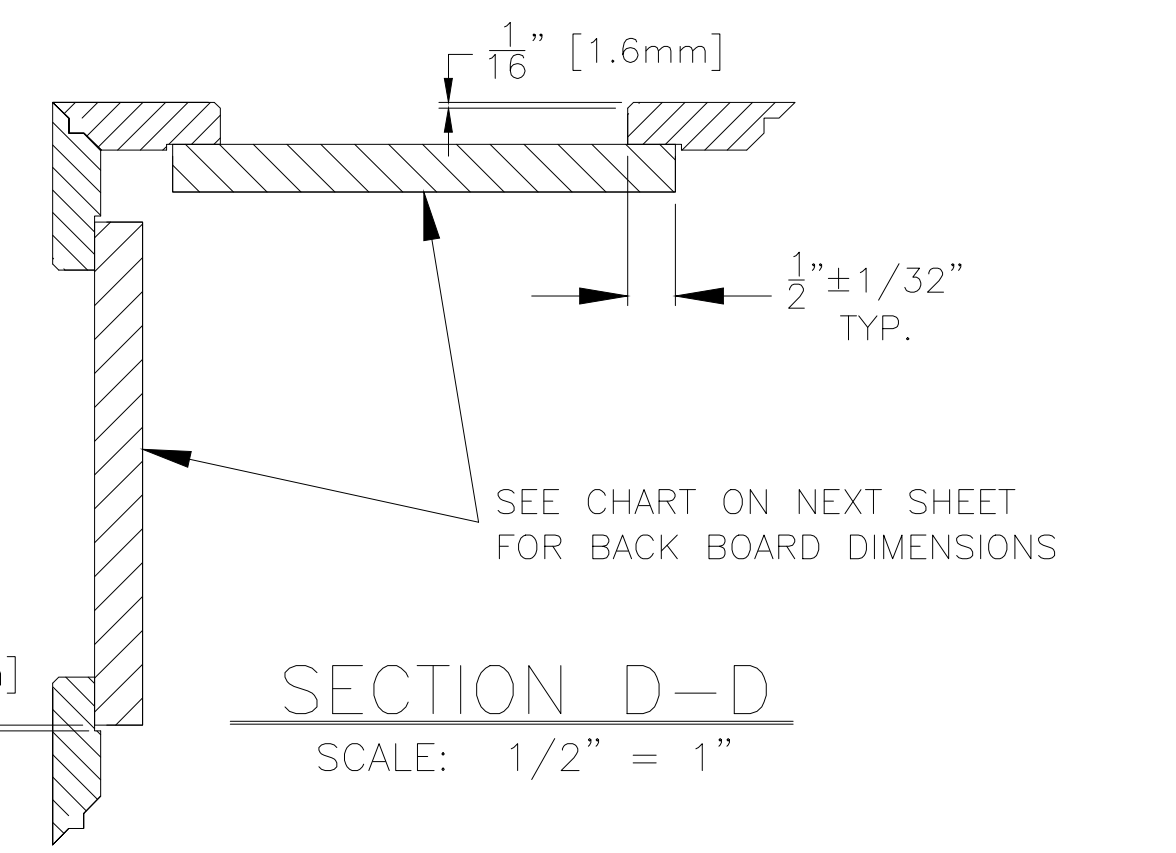
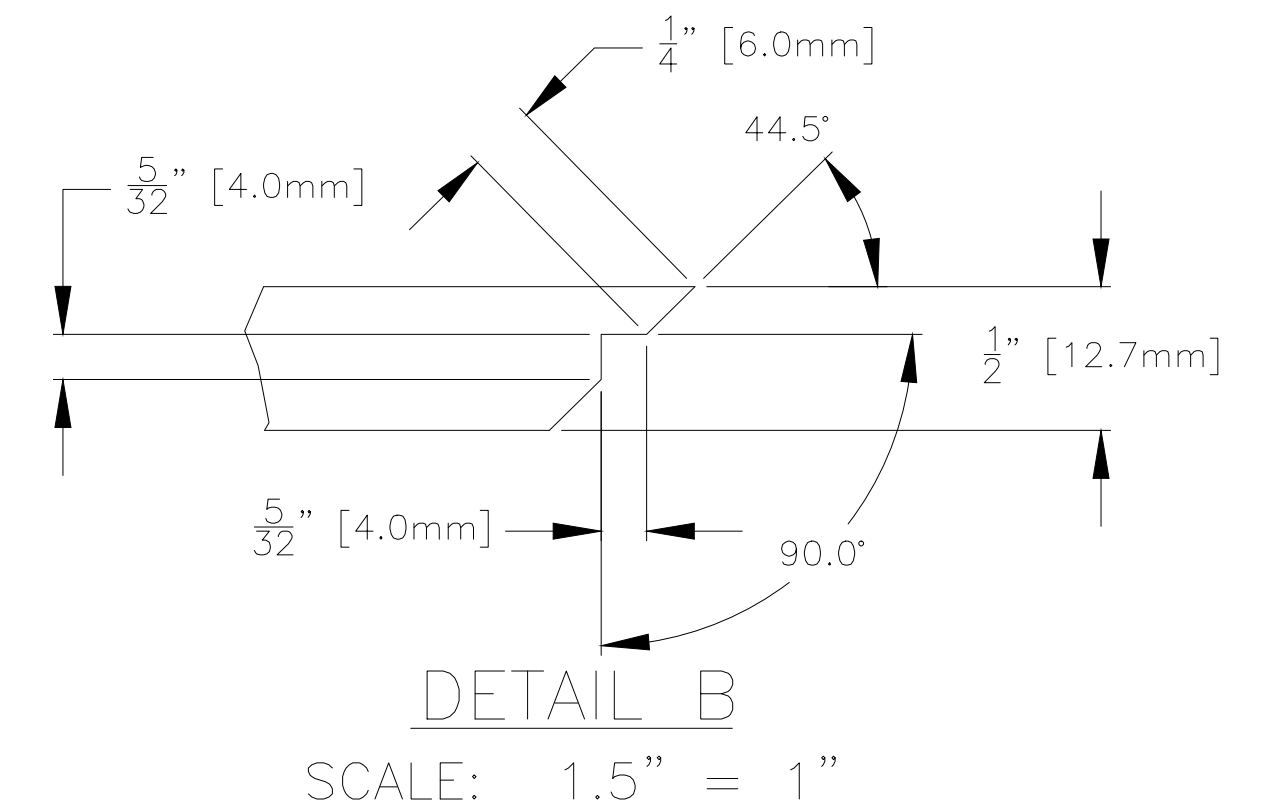
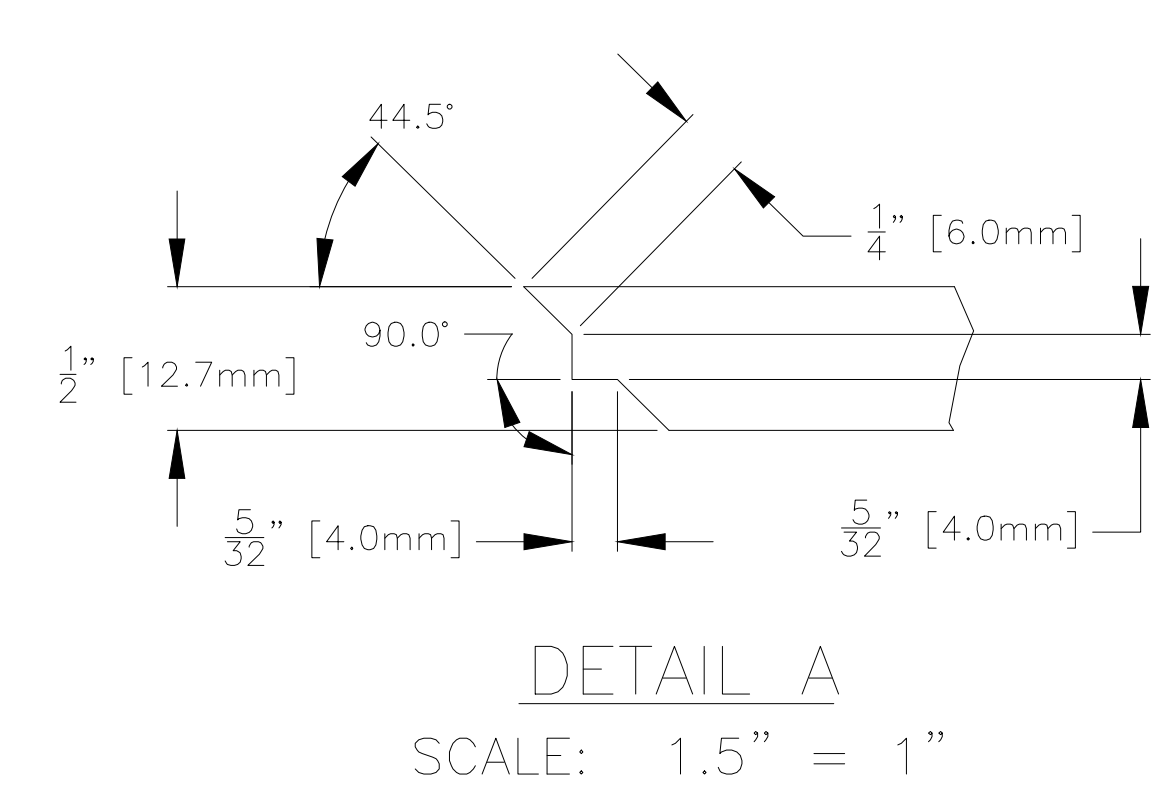
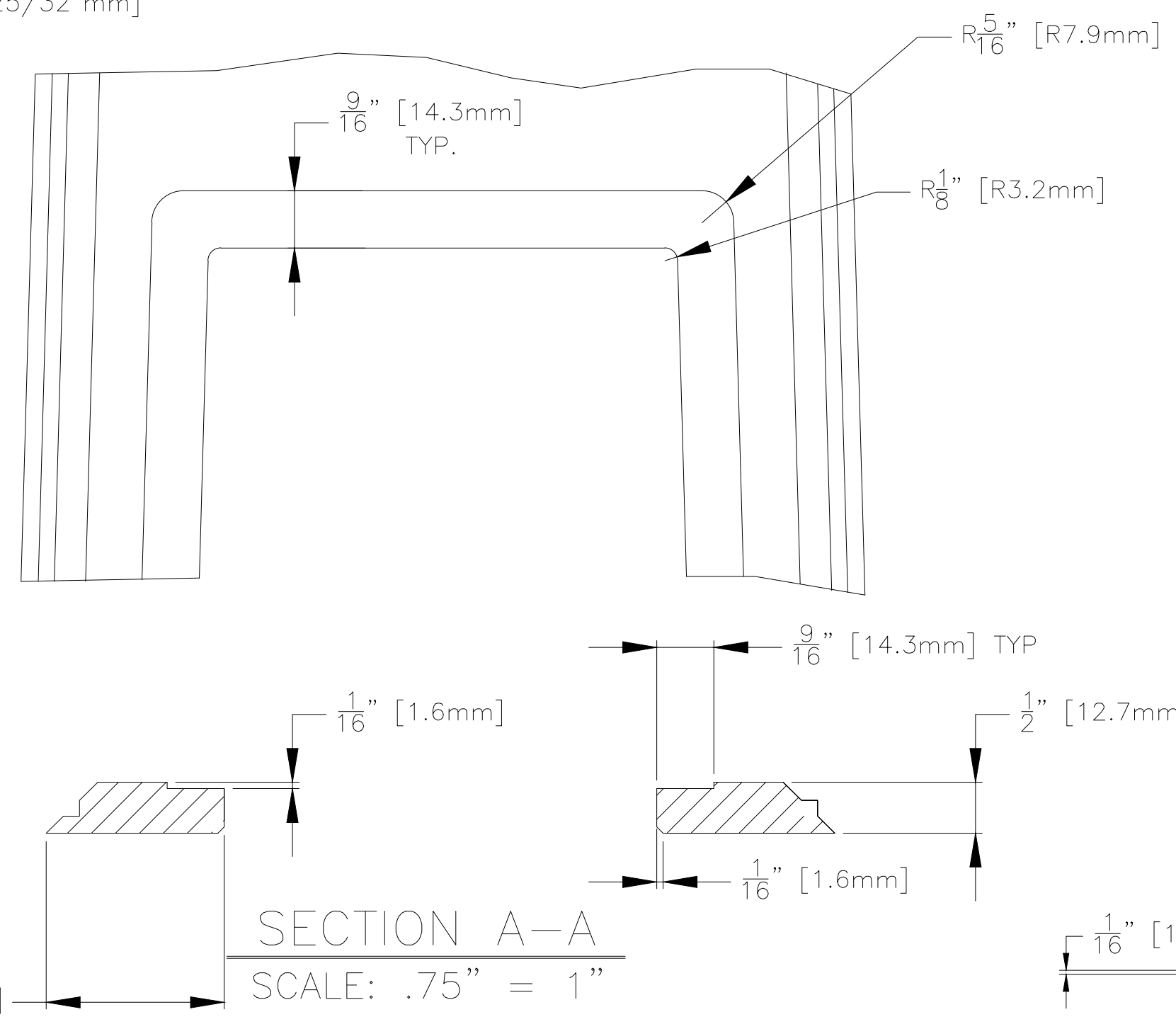
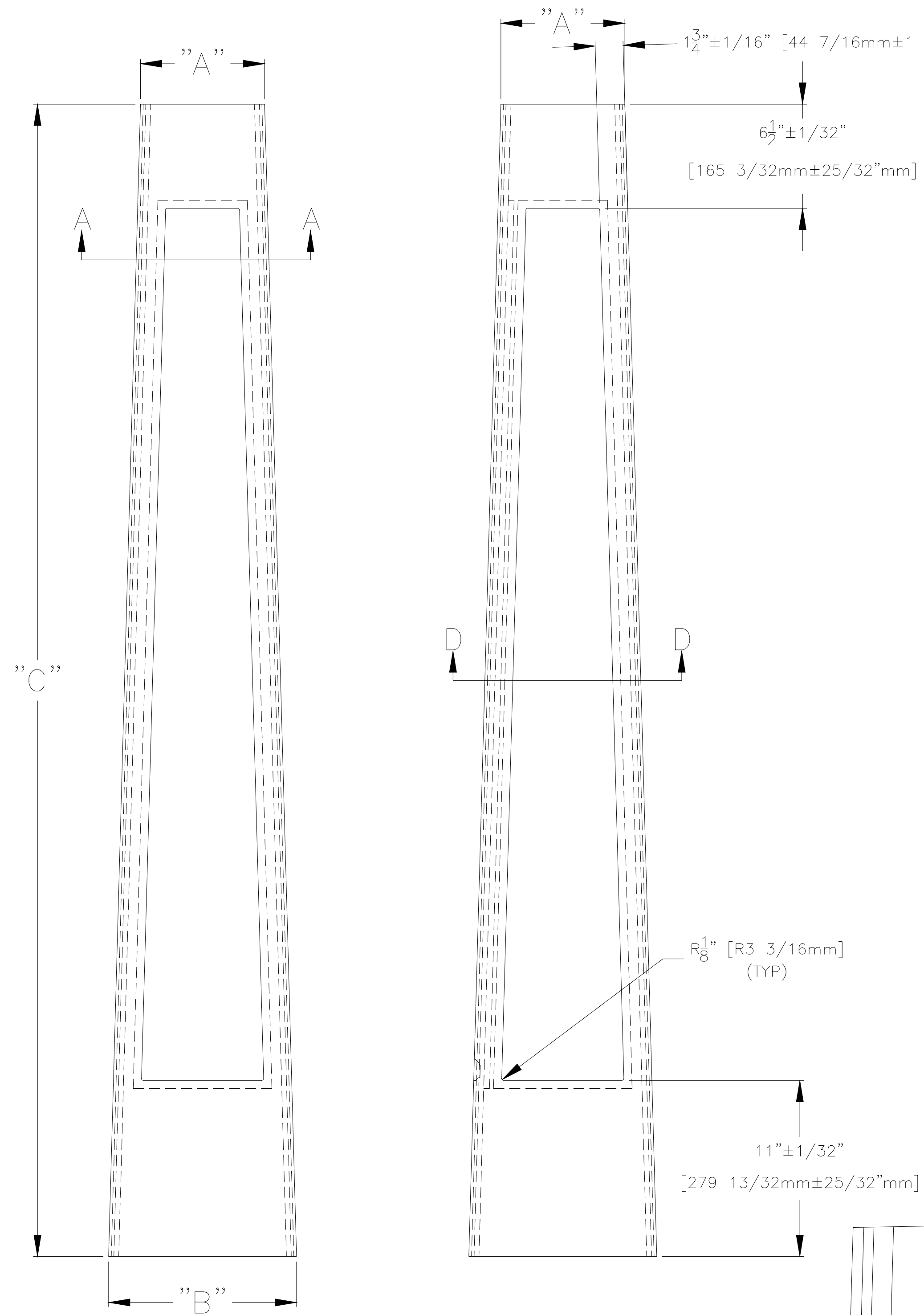
TITLE
PREMIUM SELECT TAPERED RAISED (TRS)
PREMIUM SELECT TAPERED COLUMN WRAP RAISED KIT

SIZE D	QUOTED ITEM NUMBER	DRWG NO.	REV 0
DRAWN BY HL	DATE 1/22/18	CHECKED BY	CHECKED BY
SCALE NONE	DO NOT SCALE DRAWING	SHEET 2 OF 2	

UNLESS OTHERWISE SPECIFIED, ALL DIMENSIONS ARE IN INCHES

ECO NUMBER	ZONE	REV	DESCRIPTION	DATE	APPROVED

PART NUMBER (Part Number)	1/2" THICK COLUMN (-SA Part Number)	Nominal "A"	Actual "A"	"A" Tolerance	Nominal "B"	Actual "B"	"B" Tolerance	Nominal/Actual "C"	"C" Tolerance
CWPM8X12X48TRC	CW4TRC8X12X48-SA	8"	7 3/4" [196.9mm]	+0" [0mm] -1/16" [1.6mm]	12"	11 3/4" [298.5mm]	+0" [0mm] -1/16" [1.6mm]	48" [1219.2mm]	+1/4" [6.4mm] -0" [0mm]
CWPM8X12X54TRC	CW4TRC8X12X54-SA	8"	7 3/4" [196.9mm]	+0" [0mm] -1/16" [1.6mm]	12"	11 3/4" [298.5mm]	+0" [0mm] -1/16" [1.6mm]	54" [1371.6mm]	+1/4" [6.4mm] -0" [0mm]
CWPM8X12X60TRC	CW4TRC8X12X60-SA	8"	7 3/4" [196.9mm]	+0" [0mm] -1/16" [1.6mm]	12"	11 3/4" [298.5mm]	+0" [0mm] -1/16" [1.6mm]	60" [1524.0mm]	+1/4" [6.4mm] -0" [0mm]
CWPM8X12X66TRC	CW4TRC8X12X66-SA	8"	7 3/4" [196.9mm]	+0" [0mm] -1/16" [1.6mm]	12"	11 3/4" [298.5mm]	+0" [0mm] -1/16" [1.6mm]	66" [1676.4mm]	+1/4" [6.4mm] -0" [0mm]
CWPM8X12X72TRC	CW4TRC8X12X72-SA	8"	7 3/4" [196.9mm]	+0" [0mm] -1/16" [1.6mm]	12"	11 3/4" [298.5mm]	+0" [0mm] -1/16" [1.6mm]	72" [1828.8mm]	+1/4" [6.4mm] -0" [0mm]
CWPM8X12X96TRC	CW4TRC8X12X96-SA	8"	7 3/4" [196.9mm]	+0" [0mm] -1/16" [1.6mm]	12"	11 3/4" [298.5mm]	+0" [0mm] -1/16" [1.6mm]	96" [2438.4mm]	+1/4" [6.4mm] -0" [0mm]
CWPM11X16X48TRC	CW4TRC11X16X48-SA	11"	10 3/4" [273.1mm]	+0" [0mm] -1/16" [1.6mm]	16"	15 3/4" [400.1mm]	+0" [0mm] -1/16" [1.6mm]	48" [1219.2mm]	+1/4" [6.4mm] -0" [0mm]
CWPM11X16X54TRC	CW4TRC11X16X54-SA	11"	10 3/4" [273.1mm]	+0" [0mm] -1/16" [1.6mm]	16"	15 3/4" [400.1mm]	+0" [0mm] -1/16" [1.6mm]	54" [1371.6mm]	+1/4" [6.4mm] -0" [0mm]
CWPM11X16X60TRC	CW4TRC11X16X60-SA	11"	10 3/4" [273.1mm]	+0" [0mm] -1/16" [1.6mm]	16"	15 3/4" [400.1mm]	+0" [0mm] -1/16" [1.6mm]	60" [1524.0mm]	+1/4" [6.4mm] -0" [0mm]
CWPM11X16X66TRC	CW4TRC11X16X66-SA	11"	10 3/4" [273.1mm]	+0" [0mm] -1/16" [1.6mm]	16"	15 3/4" [400.1mm]	+0" [0mm] -1/16" [1.6mm]	66" [1676.4mm]	+1/4" [6.4mm] -0" [0mm]
CWPM11X16X72TRC	CW4TRC11X16X72-SA	11"	10 3/4" [273.1mm]	+0" [0mm] -1/16" [1.6mm]	16"	15 3/4" [400.1mm]	+0" [0mm] -1/16" [1.6mm]	72" [1828.8mm]	+1/4" [6.4mm] -0" [0mm]
CWPM11X16X96TRC	CW4TRC11X16X96-SA	11"	10 3/4" [273.1mm]	+0" [0mm] -1/16" [1.6mm]	16"	15 3/4" [400.1mm]	+0" [0mm] -1/16" [1.6mm]	96" [2438.4mm]	+1/4" [6.4mm] -0" [0mm]
CWPM13X20X48TRC	CW4TRC13X20X48-SA	13"	12 3/4" [323.9mm]	+0" [0mm] -1/16" [1.6mm]	20"	19 3/4" [501.7mm]	+0" [0mm] -1/16" [1.6mm]	48" [1219.2mm]	+1/4" [6.4mm] -0" [0mm]
CWPM13X20X54TRC	CW4TRC13X20X54-SA	13"	12 3/4" [323.9mm]	+0" [0mm] -1/16" [1.6mm]	20"	19 3/4" [501.7mm]	+0" [0mm] -1/16" [1.6mm]	54" [1371.6mm]	+1/4" [6.4mm] -0" [0mm]
CWPM13X20X60TRC	CW4TRC13X20X60-SA	13"	12 3/4" [323.9mm]	+0" [0mm] -1/16" [1.6mm]	20"	19 3/4" [501.7mm]	+0" [0mm] -1/16" [1.6mm]	60" [1524.0mm]	+1/4" [6.4mm] -0" [0mm]
CWPM13X20X66TRC	CW4TRC13X20X66-SA	13"	12 3/4" [323.9mm]	+0" [0mm] -1/16" [1.6mm]	20"	19 3/4" [501.7mm]	+0" [0mm] -1/16" [1.6mm]	66" [1676.4mm]	+1/4" [6.4mm] -0" [0mm]
CWPM13X20X72TRC	CW4TRC13X20X72-SA	13"	12 3/4" [323.9mm]	+0" [0mm] -1/16" [1.6mm]	20"	19 3/4" [501.7mm]	+0" [0mm] -1/16" [1.6mm]	72" [1828.8mm]	+1/4" [6.4mm] -0" [0mm]
CWPM13X20X96TRC	CW4TRC13X20X96-SA	13"	12 3/4" [323.9mm]	+0" [0mm] -1/16" [1.6mm]	20"	19 3/4" [501.7mm]	+0" [0mm] -1/16" [1.6mm]	96" [2438.4mm]	+1/4" [6.4mm] -0" [0mm]
CWPM16X24X48TRC	CW4TRC16X24X48-SA	16"	15 3/4" [400.1mm]	+0" [0mm] -1/16" [1.6mm]	24"	23 3/4" [603.3mm]	+0" [0mm] -1/16" [1.6mm]	48" [1219.2mm]	+1/4" [6.4mm] -0" [0mm]
CWPM16X24X54TRC	CW4TRC16X24X54-SA	16"	15 3/4" [400.1mm]	+0" [0mm] -1/16" [1.6mm]	24"	23 3/4" [603.3mm]	+0" [0mm] -1/16" [1.6mm]	54" [1371.6mm]	+1/4" [6.4mm] -0" [0mm]
CWPM16X24X60TRC	CW4TRC16X24X60-SA	16"	15 3/4" [400.1mm]	+0" [0mm] -1/16" [1.6mm]	24"	23 3/4" [603.3mm]	+0" [0mm] -1/16" [1.6mm]	60" [1524.0mm]	+1/4" [6.4mm] -0" [0mm]
CWPM16X24X66TRC	CW4TRC16X24X66-SA	16"	15 3/4" [400.1mm]	+0" [0mm] -1/16" [1.6mm]	24"	23 3/4" [603.3mm]	+0" [0mm] -1/16" [1.6mm]	66" [1676.4mm]	+1/4" [6.4mm] -0" [0mm]
CWPM16X24X72TRC	CW4TRC16X24X72-SA	16"	15 3/4" [400.1mm]	+0" [0mm] -1/16" [1.6mm]	24"	23 3/4" [603.3mm]	+0" [0mm] -1/16" [1.6mm]	72" [1828.8mm]	+1/4" [6.4mm] -0" [0mm]
CWPM16X24X96TRC	CW4TRC16X24X96-SA	16"	15 3/4" [400.1mm]	+0" [0mm] -1/16" [1.6mm]	24"	23 3/4" [603.3mm]	+0" [0mm] -1/16" [1.6mm]	96" [2438.4mm]	+1/4" [6.4mm] -0" [0mm]



Qty.	Nominal "A"	Actual "A"	"A" Tolerance	Nominal/Actual "B"	"B" Tolerance	Nominal/Actual "C"	"C" Tolerance
4	SEE TABLE	SEE TABLE	+0" [0mm] -1/16" [1.6mm]	SEE TABLE	+0" [0mm] -1/16" [1.6mm]	SEE TABLE	+1/4" [6.4mm] -0" [0mm]

COLUMN DIMENSIONS

SECTION A-A
SCALE: .75" = 1"

SECTION D-D
SCALE: 1/2" = 1"

FYPON

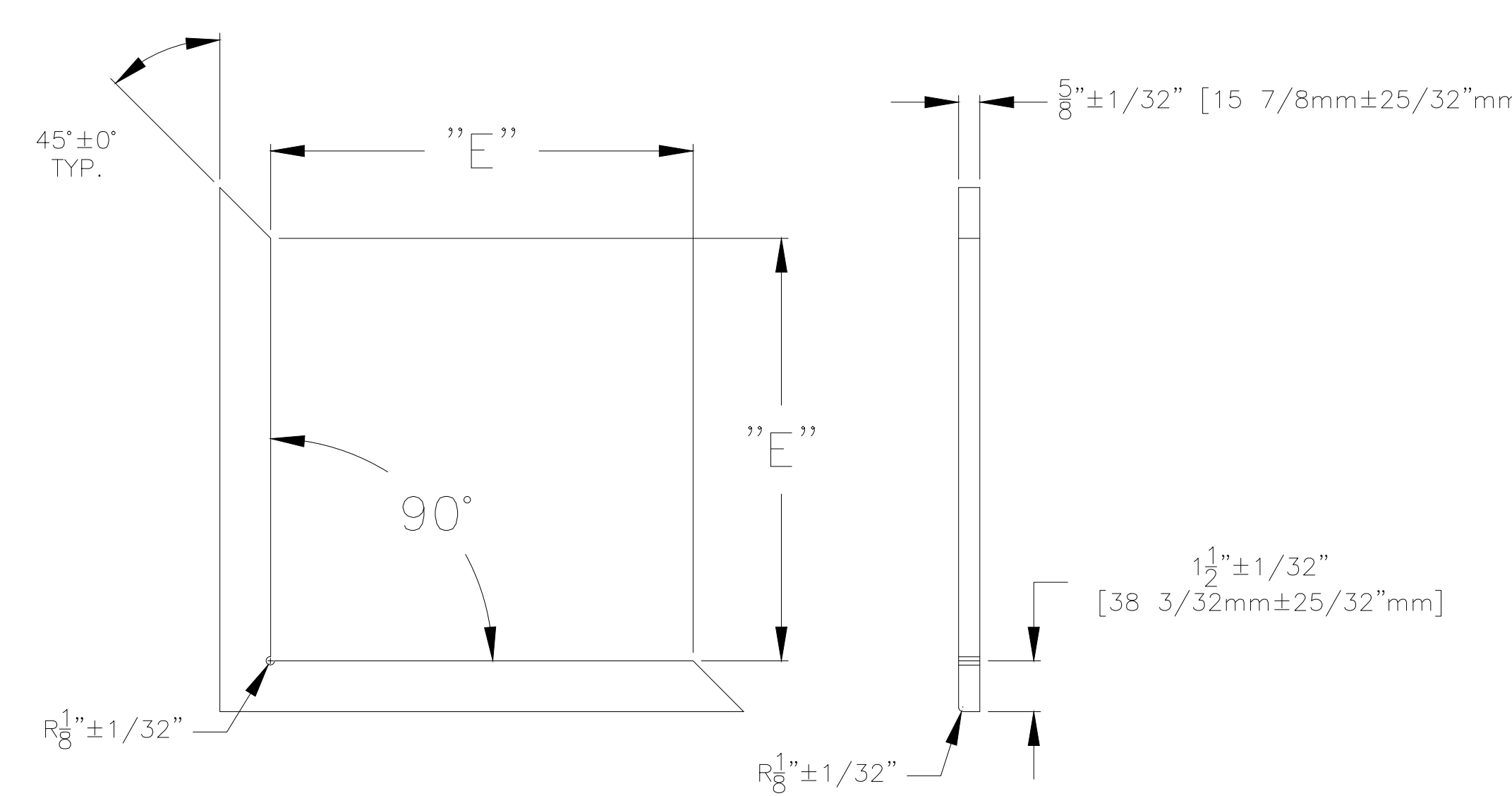
TITLE: PREMIUM SELECT TAPERED RECESSED (TRC)
PREMIUM SELECT TAPERED COLUMN WRAP RECESSED KIT

SIZE D	QUOTED ITEM NUMBER	DRWG NO.	REV 0
DRAWN BY HL	DATE 1/22/18	CHECKED BY	CHECKED BY
SCALE NONE	DO NOT SCALE DRAWING	SHEET 1 OF 2	

UNLESS OTHERWISE SPECIFIED, ALL DIMENSIONS ARE IN INCHES

ECO NUMBER	ZONE	REV	DESCRIPTION	DATE	APPROVED

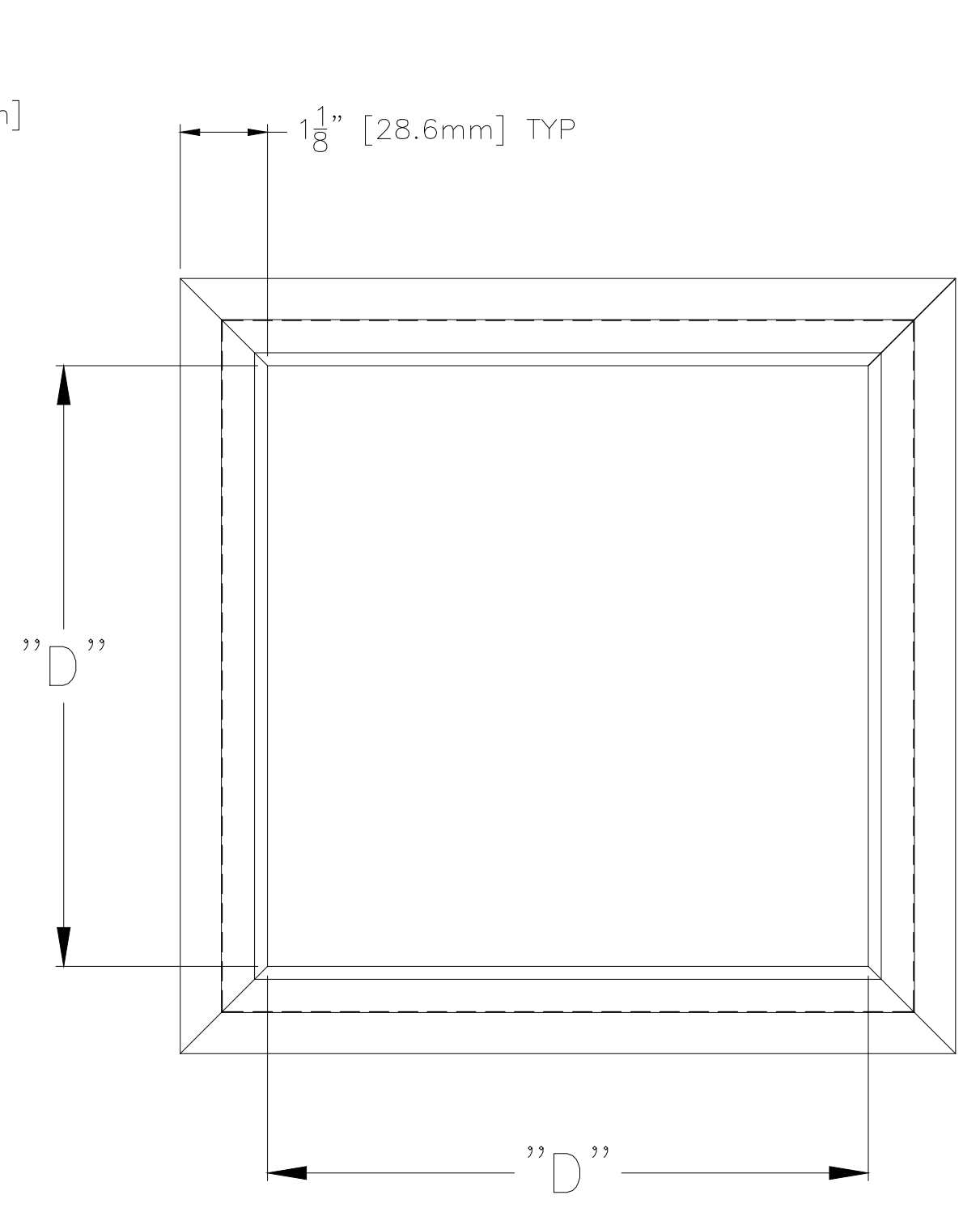
PART NUMBER (Part Number)	5/8" THICK CLEAT CAP (-SA Part Number)	CAP CLEAT "E"	5/8" THICK CLEAT BASE (-SA Part Number)	BASE CLEAT "E"	CRAFTSMAN CAP (-SA Part Number)	CAP "D"	CRAFTSMAN BASE (-SA Part Number)	BASE "D"	1/2" Thick Backer Board Dimensions				
									1/2" THICK BACKING (-SA Part Number)	Actual "F"	Actual "G"	Actual "H"	Backer Board Tolerance
CWPM8X12X48TRC	CW8CLT1-1/2-SA	7 25/32" [197.6mm]	CW12CLT1-1/2-SA	11 25/32" [299.2mm]	CW8CFC&B-SA	8 3/16"	CW12CFC&B-SA	12 3/16"	CWT4BKB8X12X48-SA	5 3/4" [146.1mm]	8 3/8" [212.7mm]	31 1/2" [800.1mm]	+1/16" [-1/16"] [1.6mm]
CWPM8X12X54TRC	CW8CLT1-1/2-SA	7 25/32" [197.6mm]	CW12CLT1-1/2-SA	11 25/32" [299.2mm]	CW8CFC&B-SA	8 3/16"	CW12CFC&B-SA	12 3/16"	CWT4BKB8X12X54-SA	5 11/16" [144.5mm]	8 7/16" [214.3mm]	37 1/2" [952.5mm]	+1/16" [-1/16"] [1.6mm]
CWPM8X12X60TRC	CW8CLT1-1/2-SA	7 25/32" [197.6mm]	CW12CLT1-1/2-SA	11 25/32" [299.2mm]	CW8CFC&B-SA	8 3/16"	CW12CFC&B-SA	12 3/16"	CWT4BKB8X12X60-SA	5 5/8" [142.9mm]	8 9/16" [217.5mm]	43 1/2" [1104.9mm]	+1/16" [-1/16"] [1.6mm]
CWPM8X12X66TRC	CW8CLT1-1/2-SA	7 25/32" [197.6mm]	CW12CLT1-1/2-SA	11 25/32" [299.2mm]	CW8CFC&B-SA	8 3/16"	CW12CFC&B-SA	12 3/16"	CWT4BKB8X12X66-SA	5 5/8" [142.9mm]	8 5/8" [219.1mm]	49 1/2" [1257.3mm]	+1/16" [-1/16"] [1.6mm]
CWPM8X12X72TRC	CW8CLT1-1/2-SA	7 25/32" [197.6mm]	CW12CLT1-1/2-SA	11 25/32" [299.2mm]	CW8CFC&B-SA	8 3/16"	CW12CFC&B-SA	12 3/16"	CWT4BKB8X12X72-SA	5 9/16" [141.3mm]	8 11/16" [220.7mm]	55 1/2" [1409.7mm]	+1/16" [-1/16"] [1.6mm]
CWPM8X12X96TRC	CW8CLT1-1/2-SA	7 25/32" [197.6mm]	CW12CLT1-1/2-SA	11 25/32" [299.2mm]	CW8CFC&B-SA	8 3/16"	CW12CFC&B-SA	12 3/16"	CWT4BKB8X12X96-SA	5 1/2" [139.7mm]	8 13/16" [223.8mm]	79 1/2" [2019.3mm]	+1/16" [-1/16"] [1.6mm]
CWPM11X16X48TRC	CW11CLT1-1/2-SA	10 25/32" [273.8mm]	CW16CLT1-1/2-SA	15 25/32" [400.8mm]	CW11CFC&B-SA	11 3/16"	CW16CFC&B-SA	16 3/16"	CWT4BKB11X16X48-SA	8 7/8" [225.4mm]	12 3/16" [309.6mm]	31 1/2" [800.1mm]	+1/16" [-1/16"] [1.6mm]
CWPM11X16X54TRC	CW11CLT1-1/2-SA	10 25/32" [273.8mm]	CW16CLT1-1/2-SA	15 25/32" [400.8mm]	CW11CFC&B-SA	11 3/16"	CW16CFC&B-SA	16 3/16"	CWT4BKB11X16X54-SA	8 13/16" [223.8mm]	12 1/4" [311.2mm]	37 1/2" [952.5mm]	+1/16" [-1/16"] [1.6mm]
CWPM11X16X60TRC	CW11CLT1-1/2-SA	10 25/32" [273.8mm]	CW16CLT1-1/2-SA	15 25/32" [400.8mm]	CW11CFC&B-SA	11 3/16"	CW16CFC&B-SA	16 3/16"	CWT4BKB11X16X60-SA	8 3/4" [222.3mm]	12 3/8" [314.3mm]	43 1/2" [1104.9mm]	+1/16" [-1/16"] [1.6mm]
CWPM11X16X66TRC	CW11CLT1-1/2-SA	10 25/32" [273.8mm]	CW16CLT1-1/2-SA	15 25/32" [400.8mm]	CW11CFC&B-SA	11 3/16"	CW16CFC&B-SA	16 3/16"	CWT4BKB11X16X66-SA	8 11/16" [217.2mm]	12 1/2" [317.5mm]	49 1/2" [1257.3mm]	+1/16" [-1/16"] [1.6mm]
CWPM11X16X72TRC	CW11CLT1-1/2-SA	10 25/32" [273.8mm]	CW16CLT1-1/2-SA	15 25/32" [400.8mm]	CW11CFC&B-SA	11 3/16"	CW16CFC&B-SA	16 3/16"	CWT4BKB11X16X72-SA	8 11/16" [217.2mm]	12 1/2" [317.5mm]	55 1/2" [1409.7mm]	+1/16" [-1/16"] [1.6mm]
CWPM11X16X96TRC	CW11CLT1-1/2-SA	10 25/32" [273.8mm]	CW16CLT1-1/2-SA	15 25/32" [400.8mm]	CW11CFC&B-SA	11 3/16"	CW16CFC&B-SA	16 3/16"	CWT4BKB11X16X96-SA	8 9/16" [217.5mm]	12 11/16" [322.3mm]	79 1/2" [2019.3mm]	+1/16" [-1/16"] [1.6mm]
CWPM13X20X48TRC	CW13CLT1-1/2-SA	12 25/32" [324.6mm]	CW20CLT1-1/2-SA	19 25/32" [502.4mm]	CW13CFC&B-SA	13 3/16"	CW20CFC&B-SA	20 3/16"	CWT4BKB13X20X48-SA	11 1/8" [282.6mm]	15 3/4" [400.1mm]	31 1/2" [800.1mm]	+1/16" [-1/16"] [1.6mm]
CWPM13X20X54TRC	CW13CLT1-1/2-SA	12 25/32" [324.6mm]	CW20CLT1-1/2-SA	19 25/32" [502.4mm]	CW13CFC&B-SA	13 3/16"	CW20CFC&B-SA	20 3/16"	CWT4BKB13X20X54-SA	11" [279.4mm]	15 7/8" [403.2mm]	37 1/2" [952.5mm]	+1/16" [-1/16"] [1.6mm]
CWPM13X20X60TRC	CW13CLT1-1/2-SA	12 25/32" [324.6mm]	CW20CLT1-1/2-SA	19 25/32" [502.4mm]	CW13CFC&B-SA	13 3/16"	CW20CFC&B-SA	20 3/16"	CWT4BKB13X20X60-SA	10 15/16" [277.8mm]	16" [406.4mm]	43 1/2" [1104.9mm]	+1/16" [-1/16"] [1.6mm]
CWPM13X20X66TRC	CW13CLT1-1/2-SA	12 25/32" [324.6mm]	CW20CLT1-1/2-SA	19 25/32" [502.4mm]	CW13CFC&B-SA	13 3/16"	CW20CFC&B-SA	20 3/16"	CWT4BKB13X20X66-SA	10 7/8" [276.2mm]	16 1/8" [409.6mm]	49 1/2" [1257.3mm]	+1/16" [-1/16"] [1.6mm]
CWPM13X20X72TRC	CW13CLT1-1/2-SA	12 25/32" [324.6mm]	CW20CLT1-1/2-SA	19 25/32" [502.4mm]	CW13CFC&B-SA	13 3/16"	CW20CFC&B-SA	20 3/16"	CWT4BKB13X20X72-SA	10 7/8" [276.2mm]	16 1/4" [412.8mm]	55 1/2" [1409.7mm]	+1/16" [-1/16"] [1.6mm]
CWPM13X20X96TRC	CW13CLT1-1/2-SA	12 25/32" [324.6mm]	CW20CLT1-1/2-SA	19 25/32" [502.4mm]	CW13CFC&B-SA	13 3/16"	CW20CFC&B-SA	20 3/16"	CWT4BKB13X20X96-SA	10 11/16" [271.5mm]	16 1/2" [419.1mm]	79 1/2" [2019.3mm]	+1/16" [-1/16"] [1.6mm]
CWPM16X24X48TRC	CW16CLT1-1/2-SA	15 25/32" [400.8mm]	CW24CLT1-1/2-SA	23 25/32" [604.0mm]	CW16CFC&B-SA	16 3/16"	CW24CFC&B-SA	24 3/16"	CWT4BKB16X24X48-SA	14 1/4" [361.9mm]	19 1/2" [495.3mm]	31 1/2" [800.1mm]	+1/16" [-1/16"] [1.6mm]
CWPM16X24X54TRC	CW16CLT1-1/2-SA	15 25/32" [400.8mm]	CW24CLT1-1/2-SA	23 25/32" [604.0mm]	CW16CFC&B-SA	16 3/16"	CW24CFC&B-SA	24 3/16"	CWT4BKB16X24X54-SA	14 1/8" [358.8mm]	19 11/16" [500.1mm]	37 1/2" [952.5mm]	+1/16" [-1/16"] [1.6mm]
CWPM16X24X60TRC	CW16CLT1-1/2-SA	15 25/32" [400.8mm]	CW24CLT1-1/2-SA	23 25/32" [604.0mm]	CW16CFC&B-SA	16 3/16"	CW24CFC&B-SA	24 3/16"	CWT4BKB16X24X60-SA	14 1/16" [357.2mm]	19 7/8" [504.8mm]	43 1/2" [1104.9mm]	+1/16" [-1/16"] [1.6mm]
CWPM16X24X66TRC	CW16CLT1-1/2-SA	15 25/32" [400.8mm]	CW24CLT1-1/2-SA	23 25/32" [604.0mm]	CW16CFC&B-SA	16 3/16"	CW24CFC&B-SA	24 3/16"	CWT4BKB16X24X66-SA	14" [355.6mm]	20" [508.0mm]	49 1/2" [1257.3mm]	+1/16" [-1/16"] [1.6mm]
CWPM16X24X72TRC	CW16CLT1-1/2-SA	15 25/32" [400.8mm]	CW24CLT1-1/2-SA	23 25/32" [604.0mm]	CW16CFC&B-SA	16 3/16"	CW24CFC&B-SA	24 3/16"	CWT4BKB16X24X72-SA	13 15/16" [354.0mm]	20 1/16" [509.6mm]	55 1/2" [1409.7mm]	+1/16" [-1/16"] [1.6mm]
CWPM16X24X96TRC	CW16CLT1-1/2-SA	15 25/32" [400.8mm]	CW24CLT1-1/2-SA	23 25/32" [604.0mm]	CW16CFC&B-SA	16 3/16"	CW24CFC&B-SA	24 3/16"	CWT4BKB16X24X96-SA	13 3/4" [349.3mm]	20 3/8" [517.5mm]	79 1/2" [2019.3mm]	+1/16" [-1/16"] [1.6mm]



CLEAT DIMENSIONS

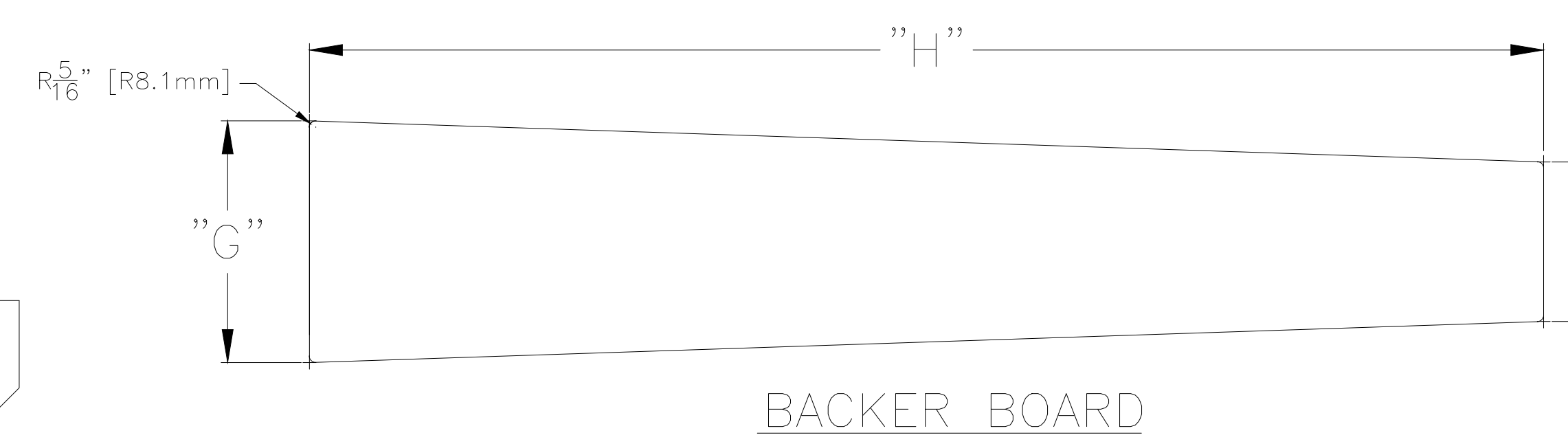
NOTE: 4 CLEATS REQUIRED PER SHAFT.

Style	Qty.	CAP CLEAT "E"	Qty.	BASE CLEAT "E"	"E" Tolerance
Craftsman	2	SEE TABLE	2	SEE TABLE	+1/16" [1.6mm] -0" [0mm]



CRAFTSMAN CAP & BASE DIMENSIONS

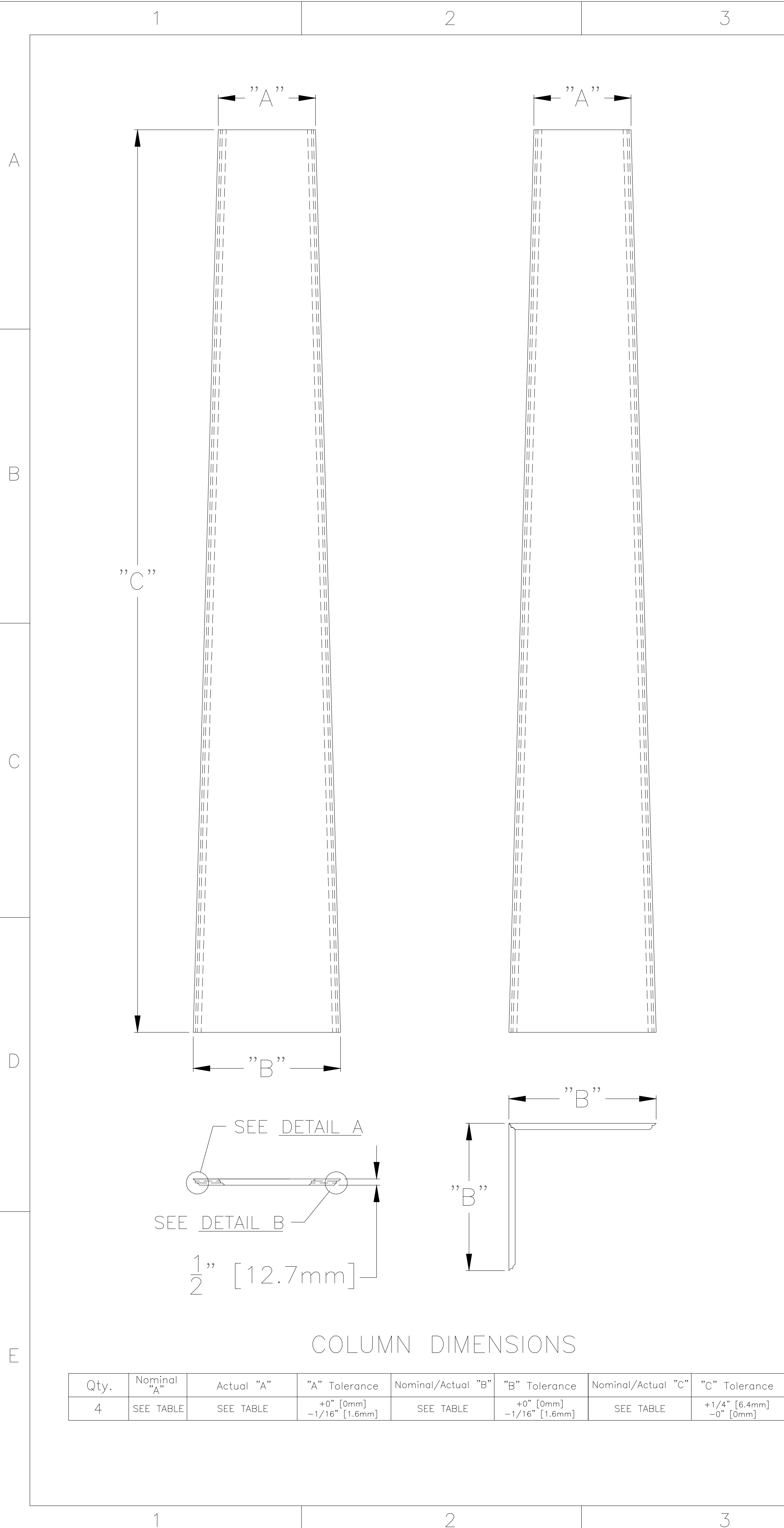
Style	Qty.	CAP "D"	Qty.	BASE "D"
Craftsman	4	SEE TABLE	4	SEE TABLE



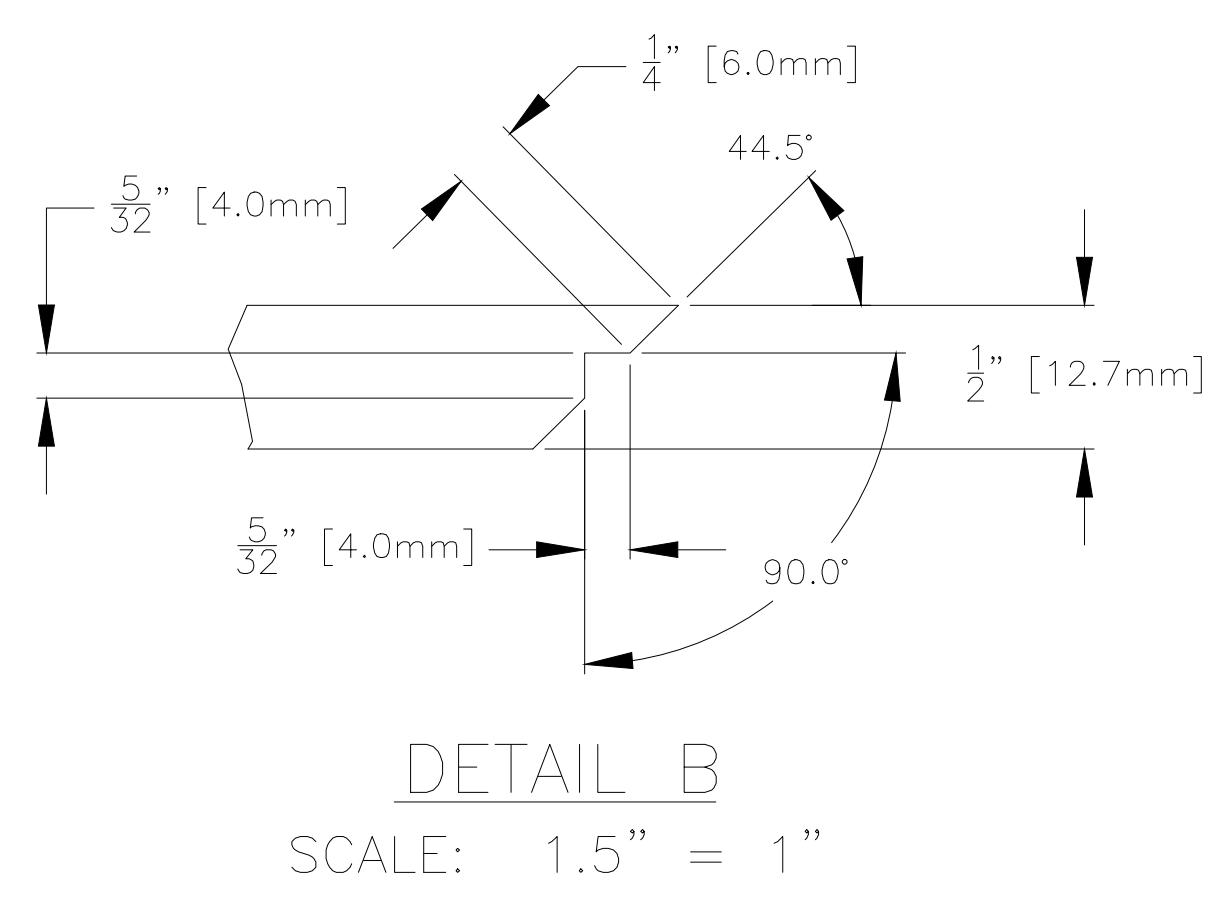
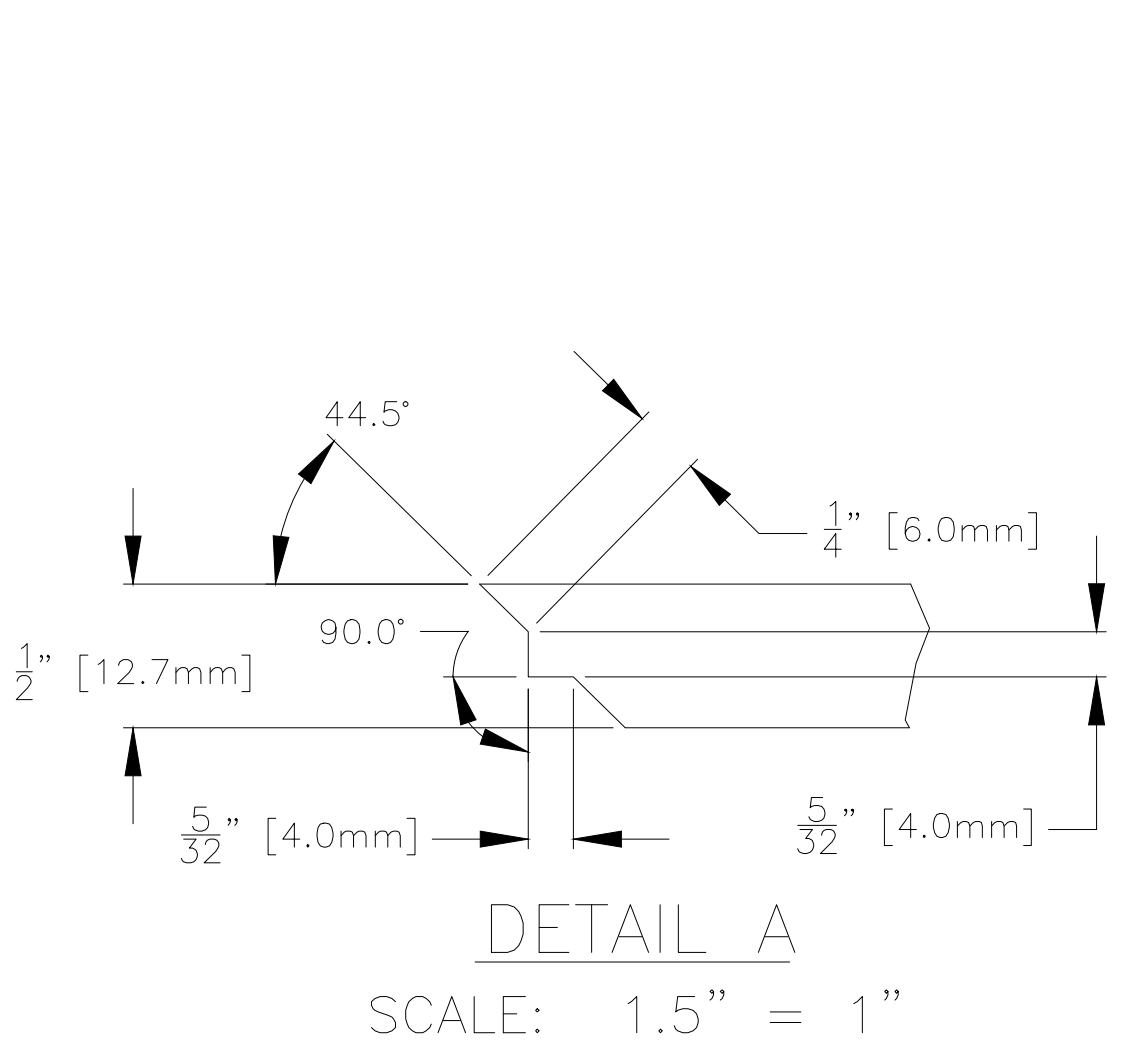
TITLE			
PREMIUM SELECT TAPERED RECESSED (TRC)			
PREMIUM SELECT TAPERED COLUMN WRAP RECESSED KIT			
SIZE	QUOTED ITEM NUMBER	DRWG NO.	REV
D			0
DRAWN BY	DATE	CHECKED BY	CHECKED BY
HL	1/22/18		
SCALE	DO NOT SCALE DRAWING	SHEET	2 OF 2
NONE			

UNLESS OTHERWISE SPECIFIED, ALL DIMENSIONS ARE IN INCHES

ECO NUMBER	ZONE	REV	DESCRIPTION	DATE	APPROVED



PART NUMBER (Part Number)	1/2" THICK COLUMN (-SA Part Number)	Nominal "A"	Actual "A"	"A" Tolerance	Nominal "B"	Actual "B"	"B" Tolerance	Nominal/Actual "C"	"C" Tolerance
CWPM8X12X48TFT	CW4TPL8X12X48-SA	8"	7 3/4" [196.9mm]	+0" [0mm] -1/16" [1.6mm]	12"	11 3/4" [298.5mm]	+0" [0mm] -1/16" [1.6mm]	48" [1219.2mm]	+1/4" [6.4mm] -0" [0mm]
CWPM8X12X54TFT	CW4TPL8X12X54-SA	8"	7 3/4" [196.9mm]	+0" [0mm] -1/16" [1.6mm]	12"	11 3/4" [298.5mm]	+0" [0mm] -1/16" [1.6mm]	54" [1371.6mm]	+1/4" [6.4mm] -0" [0mm]
CWPM8X12X60TFT	CW4TPL8X12X60-SA	8"	7 3/4" [196.9mm]	+0" [0mm] -1/16" [1.6mm]	12"	11 3/4" [298.5mm]	+0" [0mm] -1/16" [1.6mm]	60" [1524.0mm]	+1/4" [6.4mm] -0" [0mm]
CWPM8X12X66TFT	CW4TPL8X12X66-SA	8"	7 3/4" [196.9mm]	+0" [0mm] -1/16" [1.6mm]	12"	11 3/4" [298.5mm]	+0" [0mm] -1/16" [1.6mm]	66" [1676.4mm]	+1/4" [6.4mm] -0" [0mm]
CWPM8X12X72TFT	CW4TPL8X12X72-SA	8"	7 3/4" [196.9mm]	+0" [0mm] -1/16" [1.6mm]	12"	11 3/4" [298.5mm]	+0" [0mm] -1/16" [1.6mm]	72" [1828.8mm]	+1/4" [6.4mm] -0" [0mm]
CWPM8X12X96TFT	CW4TPL8X12X96-SA	8"	7 3/4" [196.9mm]	+0" [0mm] -1/16" [1.6mm]	12"	11 3/4" [298.5mm]	+0" [0mm] -1/16" [1.6mm]	96" [2438.4mm]	+1/4" [6.4mm] -0" [0mm]
CWPM11X16X48TFT	CW4TPL11X16X48-SA	11"	10 3/4" [273.1mm]	+0" [0mm] -1/16" [1.6mm]	16"	15 3/4" [400.1mm]	+0" [0mm] -1/16" [1.6mm]	48" [1219.2mm]	+1/4" [6.4mm] -0" [0mm]
CWPM11X16X54TFT	CW4TPL11X16X54-SA	11"	10 3/4" [273.1mm]	+0" [0mm] -1/16" [1.6mm]	16"	15 3/4" [400.1mm]	+0" [0mm] -1/16" [1.6mm]	54" [1371.6mm]	+1/4" [6.4mm] -0" [0mm]
CWPM11X16X60TFT	CW4TPL11X16X60-SA	11"	10 3/4" [273.1mm]	+0" [0mm] -1/16" [1.6mm]	16"	15 3/4" [400.1mm]	+0" [0mm] -1/16" [1.6mm]	60" [1524.0mm]	+1/4" [6.4mm] -0" [0mm]
CWPM11X16X66TFT	CW4TPL11X16X66-SA	11"	10 3/4" [273.1mm]	+0" [0mm] -1/16" [1.6mm]	16"	15 3/4" [400.1mm]	+0" [0mm] -1/16" [1.6mm]	66" [1676.4mm]	+1/4" [6.4mm] -0" [0mm]
CWPM11X16X72TFT	CW4TPL11X16X72-SA	11"	10 3/4" [273.1mm]	+0" [0mm] -1/16" [1.6mm]	16"	15 3/4" [400.1mm]	+0" [0mm] -1/16" [1.6mm]	72" [1828.8mm]	+1/4" [6.4mm] -0" [0mm]
CWPM11X16X96TFT	CW4TPL11X16X96-SA	11"	10 3/4" [273.1mm]	+0" [0mm] -1/16" [1.6mm]	16"	15 3/4" [400.1mm]	+0" [0mm] -1/16" [1.6mm]	96" [2438.4mm]	+1/4" [6.4mm] -0" [0mm]
CWPM13X20X48TFT	CW4TPL13X20X48-SA	13"	12 3/4" [323.9mm]	+0" [0mm] -1/16" [1.6mm]	20"	19 3/4" [501.7mm]	+0" [0mm] -1/16" [1.6mm]	48" [1219.2mm]	+1/4" [6.4mm] -0" [0mm]
CWPM13X20X54TFT	CW4TPL13X20X54-SA	13"	12 3/4" [323.9mm]	+0" [0mm] -1/16" [1.6mm]	20"	19 3/4" [501.7mm]	+0" [0mm] -1/16" [1.6mm]	54" [1371.6mm]	+1/4" [6.4mm] -0" [0mm]
CWPM13X20X60TFT	CW4TPL13X20X60-SA	13"	12 3/4" [323.9mm]	+0" [0mm] -1/16" [1.6mm]	20"	19 3/4" [501.7mm]	+0" [0mm] -1/16" [1.6mm]	60" [1524.0mm]	+1/4" [6.4mm] -0" [0mm]
CWPM13X20X66TFT	CW4TPL13X20X66-SA	13"	12 3/4" [323.9mm]	+0" [0mm] -1/16" [1.6mm]	20"	19 3/4" [501.7mm]	+0" [0mm] -1/16" [1.6mm]	66" [1676.4mm]	+1/4" [6.4mm] -0" [0mm]
CWPM13X20X72TFT	CW4TPL13X20X72-SA	13"	12 3/4" [323.9mm]	+0" [0mm] -1/16" [1.6mm]	20"	19 3/4" [501.7mm]	+0" [0mm] -1/16" [1.6mm]	72" [1828.8mm]	+1/4" [6.4mm] -0" [0mm]
CWPM13X20X96TFT	CW4TPL13X20X96-SA	13"	12 3/4" [323.9mm]	+0" [0mm] -1/16" [1.6mm]	20"	19 3/4" [501.7mm]	+0" [0mm] -1/16" [1.6mm]	96" [2438.4mm]	+1/4" [6.4mm] -0" [0mm]
CWPM16X24X48TFT	CW4TPL16X24X48-SA	16"	15 3/4" [400.1mm]	+0" [0mm] -1/16" [1.6mm]	24"	23 3/4" [603.3mm]	+0" [0mm] -1/16" [1.6mm]	48" [1219.2mm]	+1/4" [6.4mm] -0" [0mm]
CWPM16X24X54TFT	CW4TPL16X24X54-SA	16"	15 3/4" [400.1mm]	+0" [0mm] -1/16" [1.6mm]	24"	23 3/4" [603.3mm]	+0" [0mm] -1/16" [1.6mm]	54" [1371.6mm]	+1/4" [6.4mm] -0" [0mm]
CWPM16X24X60TFT	CW4TPL16X24X60-SA	16"	15 3/4" [400.1mm]	+0" [0mm] -1/16" [1.6mm]	24"	23 3/4" [603.3mm]	+0" [0mm] -1/16" [1.6mm]	60" [1524.0mm]	+1/4" [6.4mm] -0" [0mm]
CWPM16X24X66TFT	CW4TPL16X24X66-SA	16"	15 3/4" [400.1mm]	+0" [0mm] -1/16" [1.6mm]	24"	23 3/4" [603.3mm]	+0" [0mm] -1/16" [1.6mm]	66" [1676.4mm]	+1/4" [6.4mm] -0" [0mm]
CWPM16X24X72TFT	CW4TPL16X24X72-SA	16"	15 3/4" [400.1mm]	+0" [0mm] -1/16" [1.6mm]	24"	23 3/4" [603.3mm]	+0" [0mm] -1/16" [1.6mm]	72" [1828.8mm]	+1/4" [6.4mm] -0" [0mm]
CWPM16X24X96TFT	CW4TPL16X24X96-SA	16"	15 3/4" [400.1mm]	+0" [0mm] -1/16" [1.6mm]	24"	23 3/4" [603.3mm]	+0" [0mm] -1/16" [1.6mm]	96" [2438.4mm]	+1/4" [6.4mm] -0" [0mm]



Qty.	Nominal "A"	Actual "A"	"A" Tolerance	Nominal/Actual "B"	"B" Tolerance	Nominal/Actual "C"	"C" Tolerance
4	SEE TABLE	SEE TABLE	+0" [0mm] -1/16" [1.6mm]	SEE TABLE	+0" [0mm] -1/16" [1.6mm]	SEE TABLE	+1/4" [6.4mm] -0" [0mm]

FYPON

TITLE
PREMIUM SELECT TAPERED FLAT (TFT)
PREMIUM SELECT TAPERED COLUMN WRAP FLAT KIT

SIZE QUOTED ITEM NUMBER DRWG NO. REV
D 0

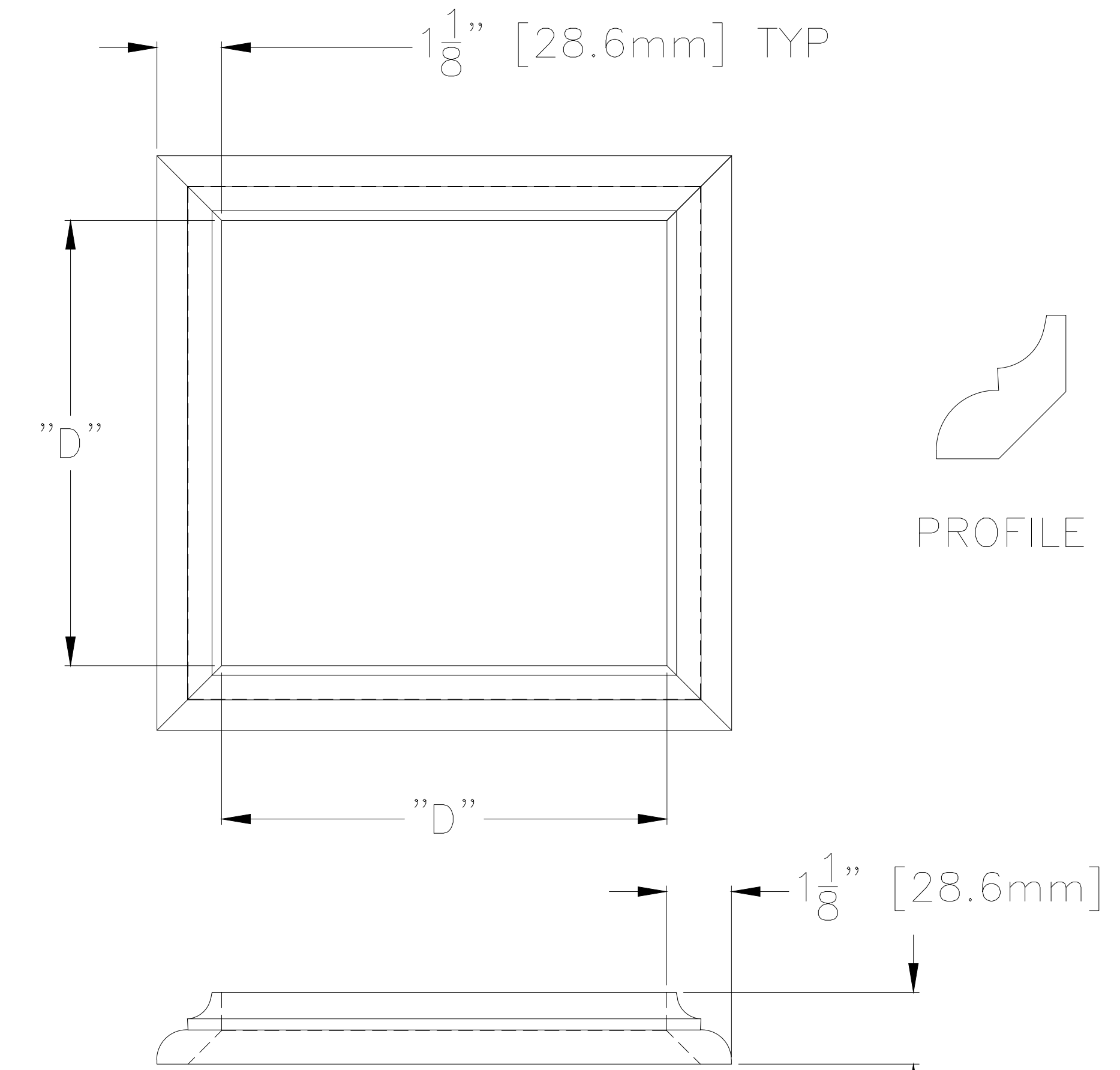
DRAWN BY HL DATE 1/22/18 CHECKED BY CHECKED BY

SCALE NONE DO NOT SCALE DRAWING SHEET 1 OF 2

UNLESS OTHERWISE SPECIFIED, ALL DIMENSIONS ARE IN INCHES

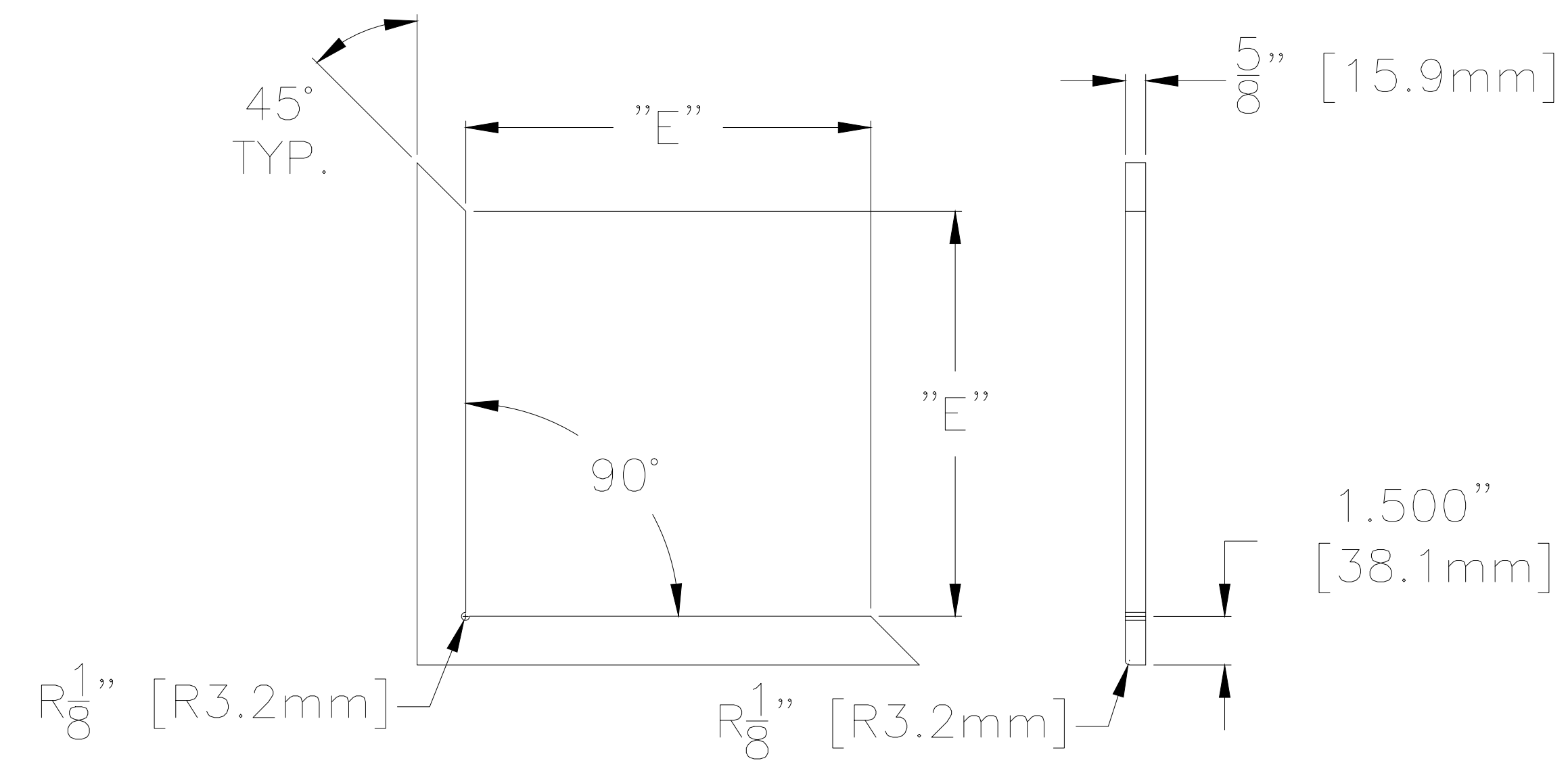
ECO NUMBER	ZONE	REV	DESCRIPTION	DATE	APPROVED

PART NUMBER (Part Number)	5/8" THICK CLEAT CAP (-SA Part Number)	CAP CLEAT "E"	5/8" THICK CLEAT BASE (-SA Part Number)	BASE CLEAT "E"	CRAFTSMAN CAP (-SA Part Number)	CAP "D"	CRAFTSMAN BASE (-SA Part Number)	BASE "D"
CWPM8X12X48TFT	CW8CLT1-1/2-SA	7 25/32" [197.6mm]	CW12CLT1-1/2-SA	11 25/32" [299.2mm]	CW8CFC&B-SA	8 3/16"	CW12CFC&B-SA	12 3/16"
CWPM8X12X54TFT	CW8CLT1-1/2-SA	7 25/32" [197.6mm]	CW12CLT1-1/2-SA	11 25/32" [299.2mm]	CW8CFC&B-SA	8 3/16"	CW12CFC&B-SA	12 3/16"
CWPM8X12X60TFT	CW8CLT1-1/2-SA	7 25/32" [197.6mm]	CW12CLT1-1/2-SA	11 25/32" [299.2mm]	CW8CFC&B-SA	8 3/16"	CW12CFC&B-SA	12 3/16"
CWPM8X12X66TFT	CW8CLT1-1/2-SA	7 25/32" [197.6mm]	CW12CLT1-1/2-SA	11 25/32" [299.2mm]	CW8CFC&B-SA	8 3/16"	CW12CFC&B-SA	12 3/16"
CWPM8X12X72TFT	CW8CLT1-1/2-SA	7 25/32" [197.6mm]	CW12CLT1-1/2-SA	11 25/32" [299.2mm]	CW8CFC&B-SA	8 3/16"	CW12CFC&B-SA	12 3/16"
CWPM8X12X96TFT	CW8CLT1-1/2-SA	7 25/32" [197.6mm]	CW12CLT1-1/2-SA	11 25/32" [299.2mm]	CW8CFC&B-SA	8 3/16"	CW12CFC&B-SA	12 3/16"
CWPM11X16X48TFT	CW11CLT1-1/2-SA	10 25/32" [273.8mm]	CW16CLT1-1/2-SA	15 25/32" [400.8mm]	CW11CFC&B-SA	11 3/16"	CW16CFC&B-SA	16 3/16"
CWPM11X16X54TFT	CW11CLT1-1/2-SA	10 25/32" [273.8mm]	CW16CLT1-1/2-SA	15 25/32" [400.8mm]	CW11CFC&B-SA	11 3/16"	CW16CFC&B-SA	16 3/16"
CWPM11X16X60TFT	CW11CLT1-1/2-SA	10 25/32" [273.8mm]	CW16CLT1-1/2-SA	15 25/32" [400.8mm]	CW11CFC&B-SA	11 3/16"	CW16CFC&B-SA	16 3/16"
CWPM11X16X66TFT	CW11CLT1-1/2-SA	10 25/32" [273.8mm]	CW16CLT1-1/2-SA	15 25/32" [400.8mm]	CW11CFC&B-SA	11 3/16"	CW16CFC&B-SA	16 3/16"
CWPM11X16X72TFT	CW11CLT1-1/2-SA	10 25/32" [273.8mm]	CW16CLT1-1/2-SA	15 25/32" [400.8mm]	CW11CFC&B-SA	11 3/16"	CW16CFC&B-SA	16 3/16"
CWPM11X16X96TFT	CW11CLT1-1/2-SA	10 25/32" [273.8mm]	CW16CLT1-1/2-SA	15 25/32" [400.8mm]	CW11CFC&B-SA	11 3/16"	CW16CFC&B-SA	16 3/16"
CWPM13X20X48TFT	CW13CLT1-1/2-SA	12 25/32" [324.6mm]	CW20CLT1-1/2-SA	19 25/32" [502.4mm]	CW13CFC&B-SA	13 3/16"	CW20CFC&B-SA	20 3/16"
CWPM13X20X54TFT	CW13CLT1-1/2-SA	12 25/32" [324.6mm]	CW20CLT1-1/2-SA	19 25/32" [502.4mm]	CW13CFC&B-SA	13 3/16"	CW20CFC&B-SA	20 3/16"
CWPM13X20X60TFT	CW13CLT1-1/2-SA	12 25/32" [324.6mm]	CW20CLT1-1/2-SA	19 25/32" [502.4mm]	CW13CFC&B-SA	13 3/16"	CW20CFC&B-SA	20 3/16"
CWPM13X20X66TFT	CW13CLT1-1/2-SA	12 25/32" [324.6mm]	CW20CLT1-1/2-SA	19 25/32" [502.4mm]	CW13CFC&B-SA	13 3/16"	CW20CFC&B-SA	20 3/16"
CWPM13X20X72TFT	CW13CLT1-1/2-SA	12 25/32" [324.6mm]	CW20CLT1-1/2-SA	19 25/32" [502.4mm]	CW13CFC&B-SA	13 3/16"	CW20CFC&B-SA	20 3/16"
CWPM13X20X96TFT	CW13CLT1-1/2-SA	12 25/32" [324.6mm]	CW20CLT1-1/2-SA	19 25/32" [502.4mm]	CW13CFC&B-SA	13 3/16"	CW20CFC&B-SA	20 3/16"
CWPM16X24X48TFT	CW16CLT1-1/2-SA	15 25/32" [400.8mm]	CW24CLT1-1/2-SA	23 25/32" [604.0mm]	CW16CFC&B-SA	16 3/16"	CW24CFC&B-SA	24 3/16"
CWPM16X24X54TFT	CW16CLT1-1/2-SA	15 25/32" [400.8mm]	CW24CLT1-1/2-SA	23 25/32" [604.0mm]	CW16CFC&B-SA	16 3/16"	CW24CFC&B-SA	24 3/16"
CWPM16X24X60TFT	CW16CLT1-1/2-SA	15 25/32" [400.8mm]	CW24CLT1-1/2-SA	23 25/32" [604.0mm]	CW16CFC&B-SA	16 3/16"	CW24CFC&B-SA	24 3/16"
CWPM16X24X66TFT	CW16CLT1-1/2-SA	15 25/32" [400.8mm]	CW24CLT1-1/2-SA	23 25/32" [604.0mm]	CW16CFC&B-SA	16 3/16"	CW24CFC&B-SA	24 3/16"
CWPM16X24X72TFT	CW16CLT1-1/2-SA	15 25/32" [400.8mm]	CW24CLT1-1/2-SA	23 25/32" [604.0mm]	CW16CFC&B-SA	16 3/16"	CW24CFC&B-SA	24 3/16"
CWPM16X24X96TFT	CW16CLT1-1/2-SA	15 25/32" [400.8mm]	CW24CLT1-1/2-SA	23 25/32" [604.0mm]	CW16CFC&B-SA	16 3/16"	CW24CFC&B-SA	24 3/16"



CRAFTSMAN CAP & BASE DIMENSIONS

Style	Qty.	CAP "D"	Qty.	BASE "D"
Craftsman	4	SEE TABLE	4	SEE TABLE



CLEAT DIMENSIONS
NOTE: 4 CLEATS REQUIRED PER SHAFT.

Style	Qty.	CAP CLEAT "E"	Qty.	BASE CLEAT "E"	"E" Tolerance
Craftsman	2	SEE TABLE	2	SEE TABLE	+1/16" [1.6mm] -0" [0mm]

FYRON

TITLE
PREMIUM SELECT TAPERED FLAT (TFT)
PREMIUM SELECT TAPERED COLUMN WRAP FLAT KIT

SIZE D	QUOTED ITEM NUMBER	DRWG NO.	REV 0
DRAWN BY HL	DATE 1/22/18	CHECKED BY	CHECKED BY
SCALE NONE	DO NOT SCALE DRAWING	SHEET 2 OF 2	

UNLESS OTHERWISE SPECIFIED, ALL DIMENSIONS ARE IN INCHES