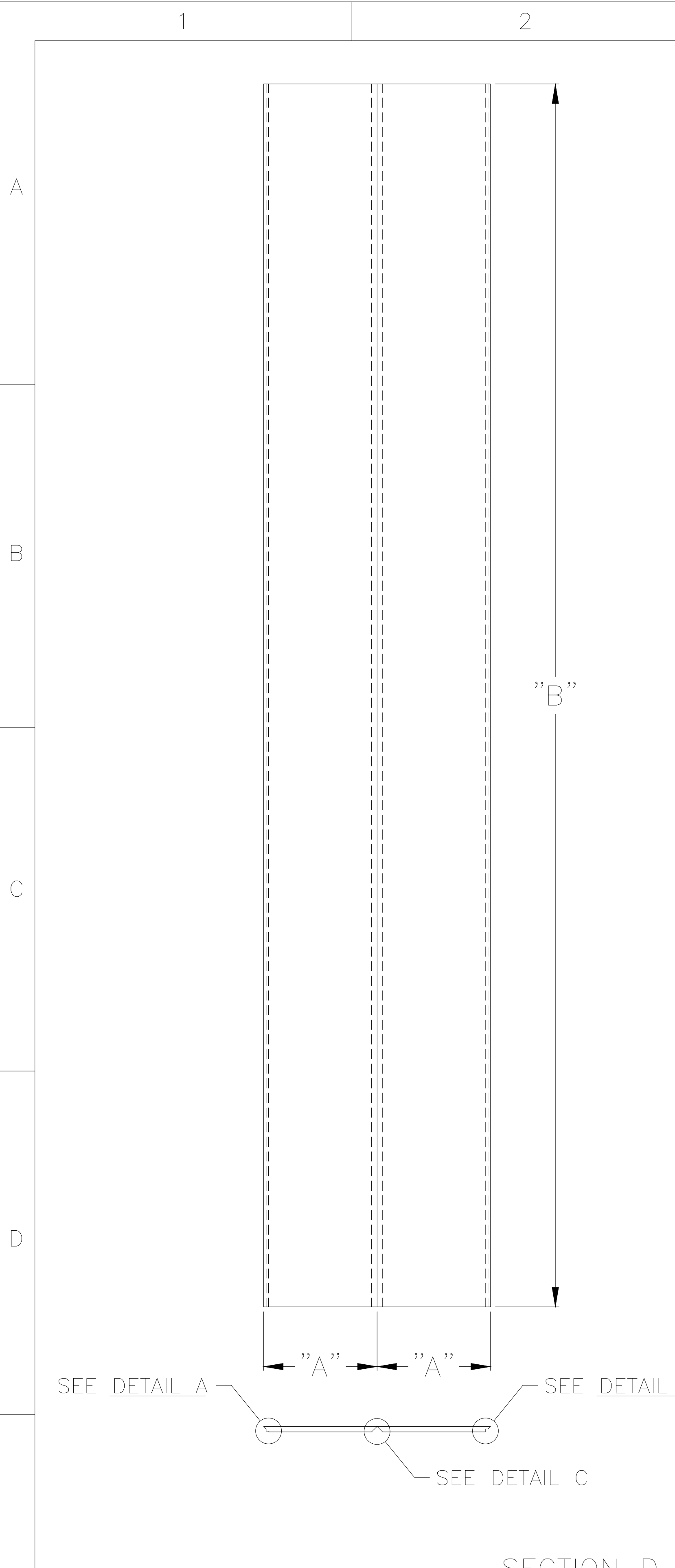
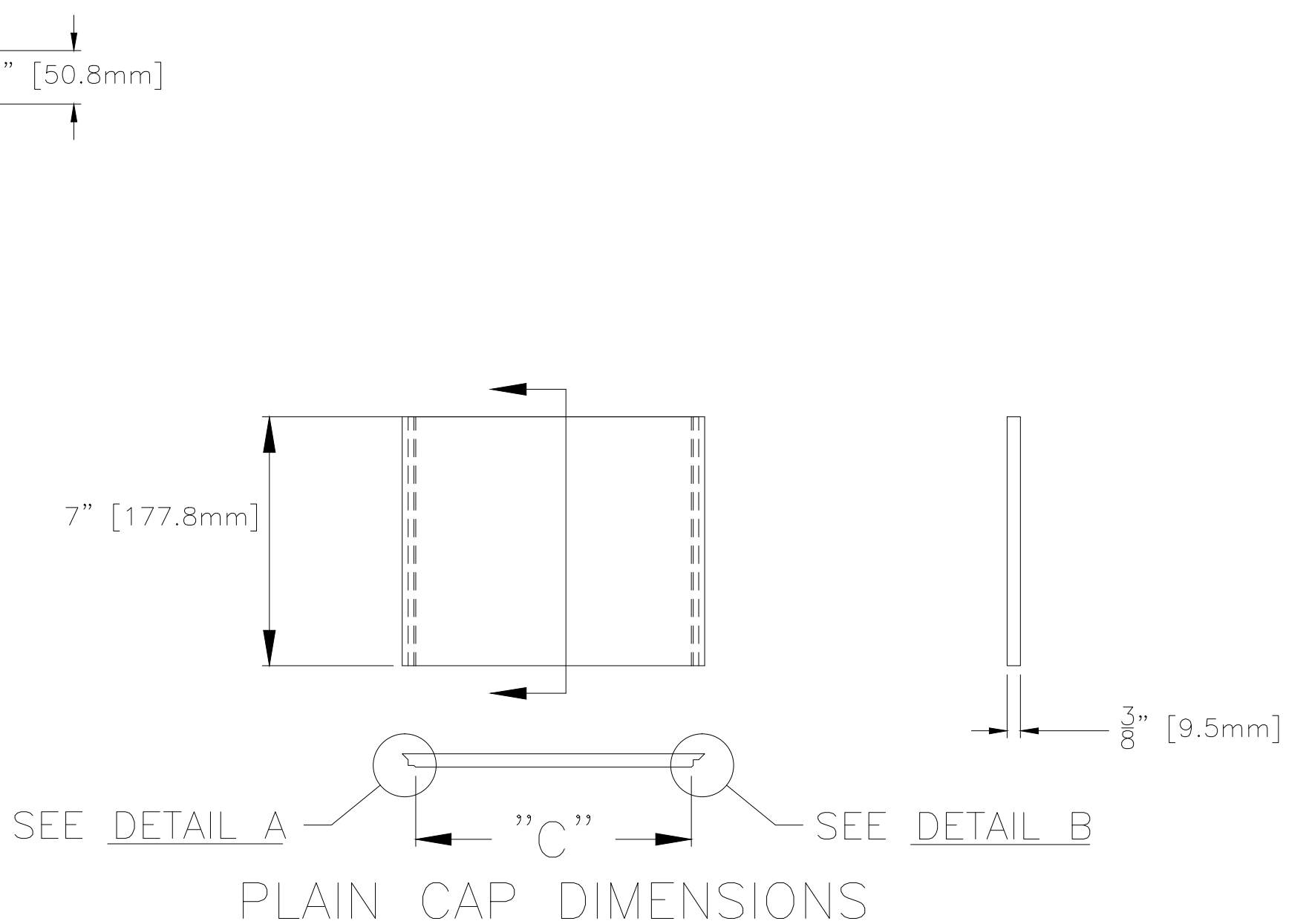


ECO NUMBER	ZONE	REV	DESCRIPTION	DATE	APPROVED



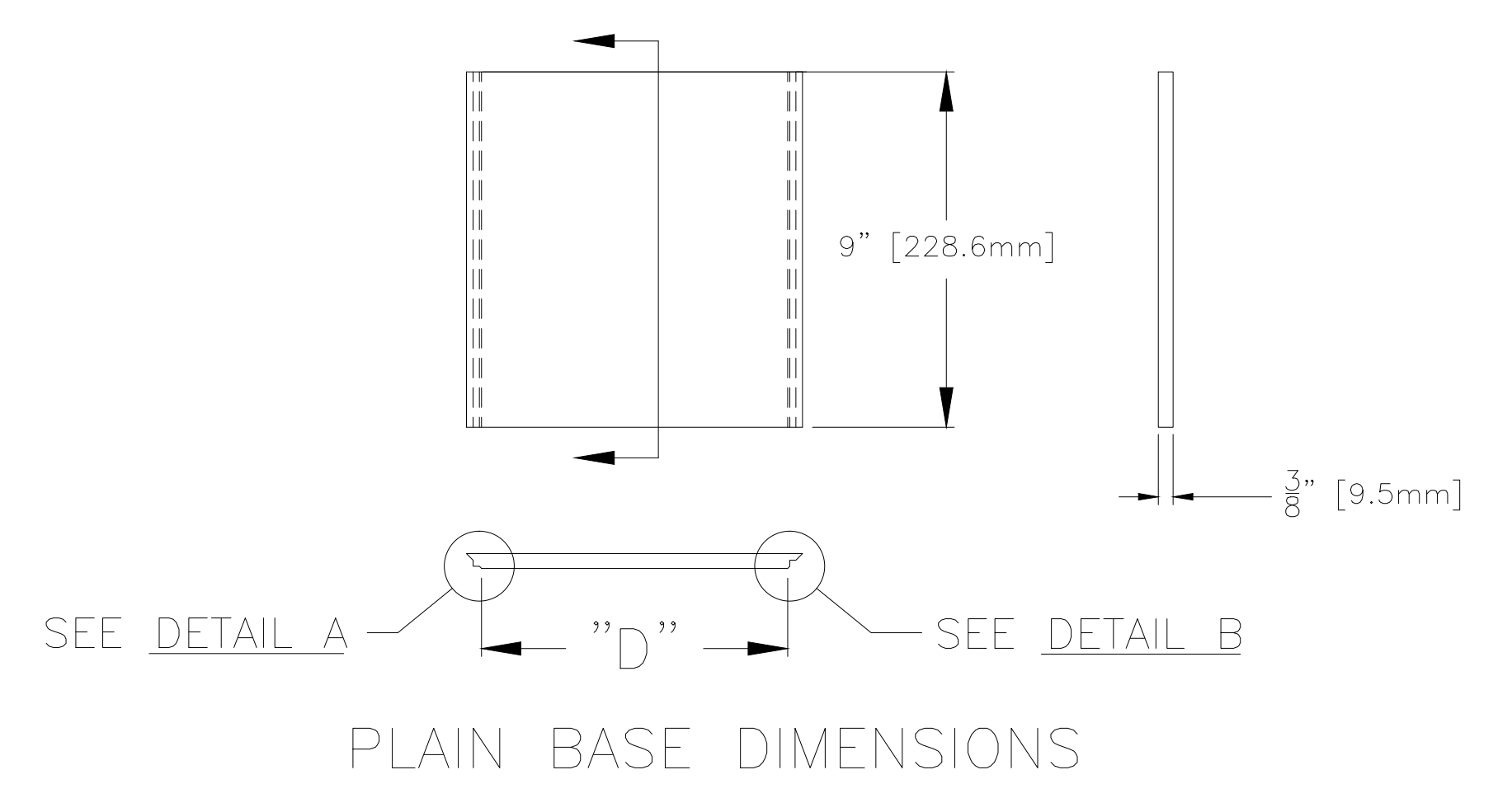
Qty.	Nominal "A"	Actual "A"	"A" Tolerance	Nominal/Actual "B"	"B" Tolerance
2	SEE TABLE	SEE TABLE	+0" [0mm] -1/16" [1.6mm]	SEE TABLE	+1/4" [6.4mm] -0" [0mm]

SECTION D-D
SCALE: 1/2" = 1"
SHAFT DIMENSIONS



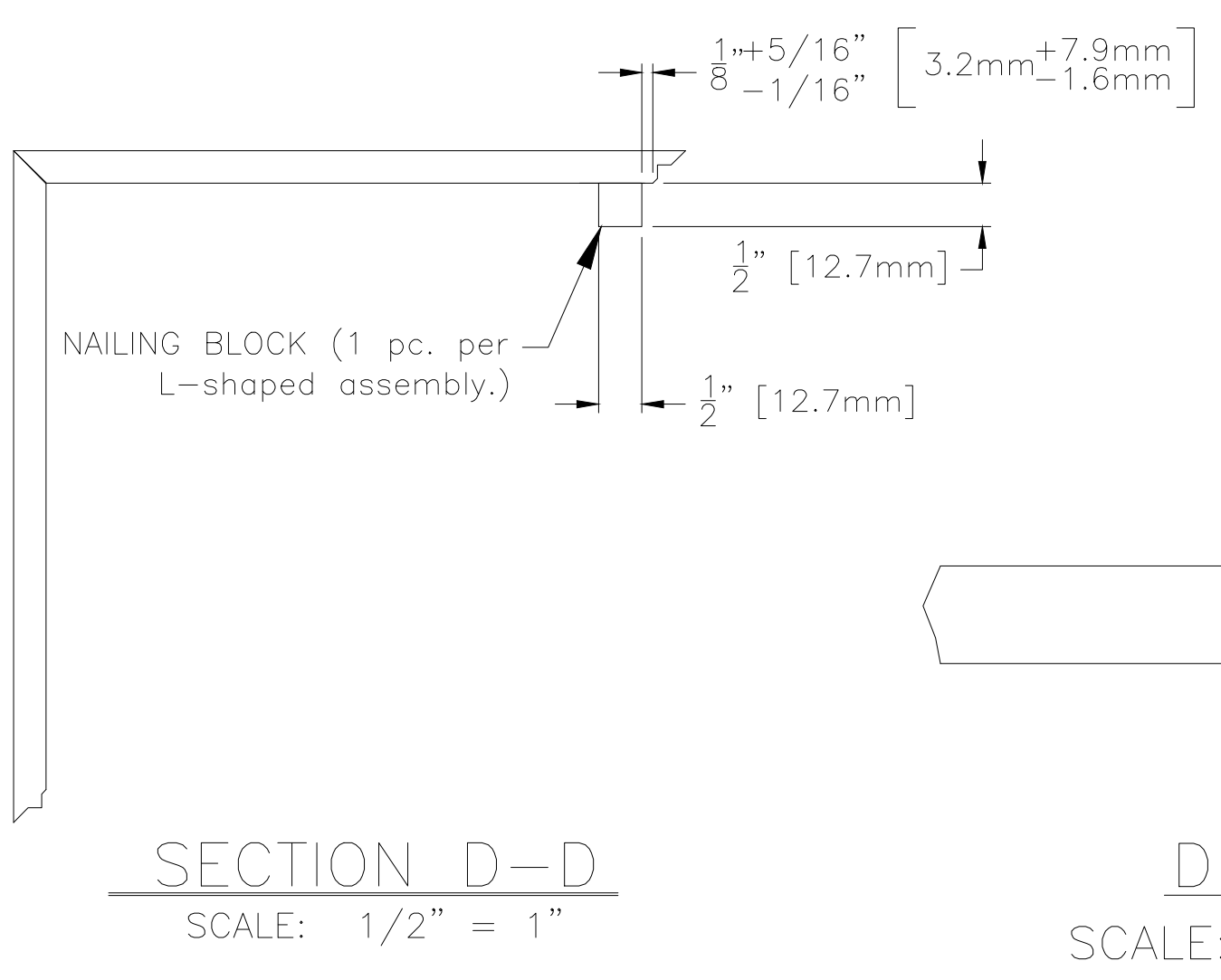
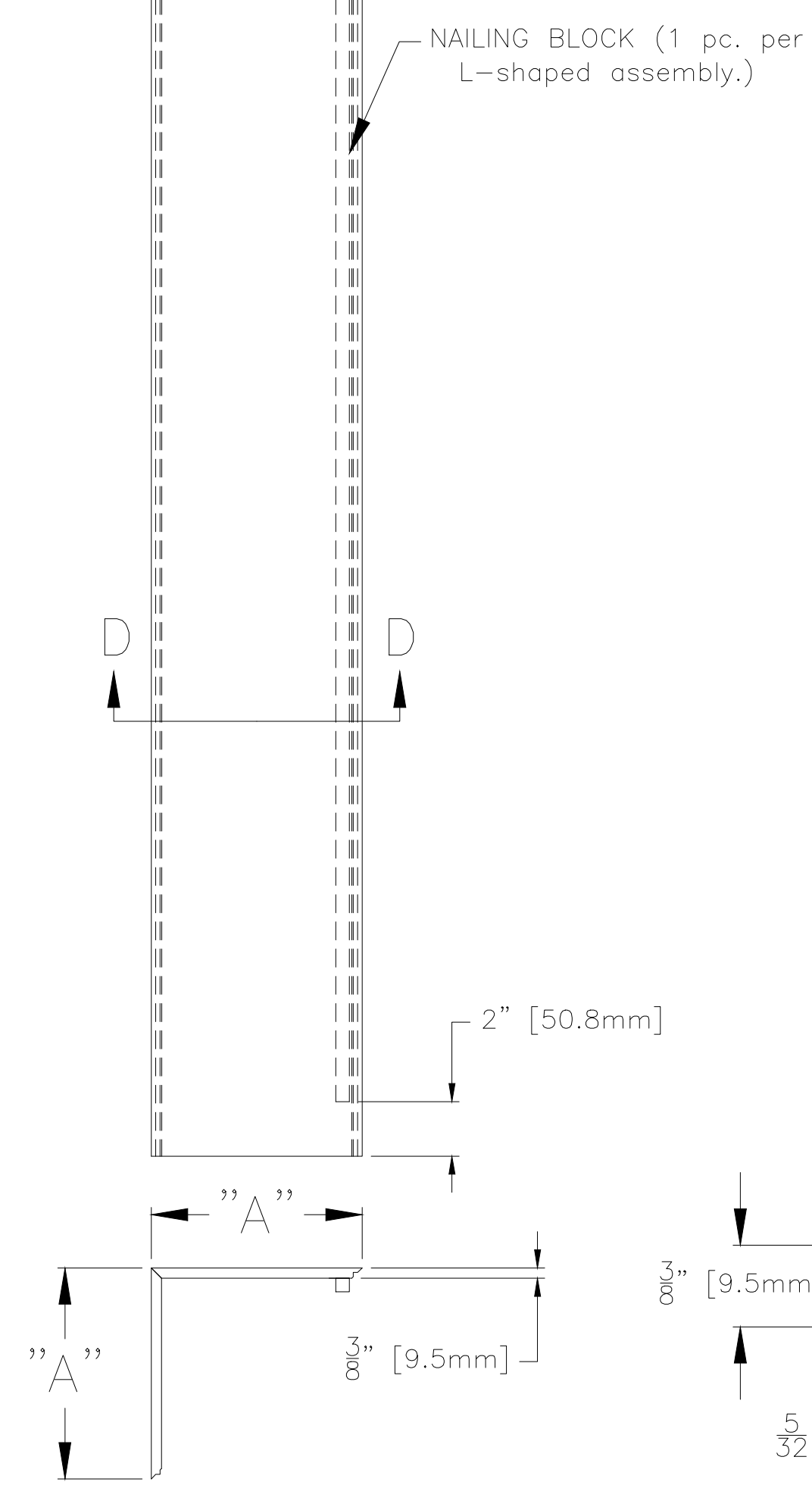
Qty.	Style	Actual "C"	"C" Tolerance
2	PLAIN	SEE TABLE	+1/16" [1.6mm] -0" [0mm]

PLAIN CAP DIMENSIONS

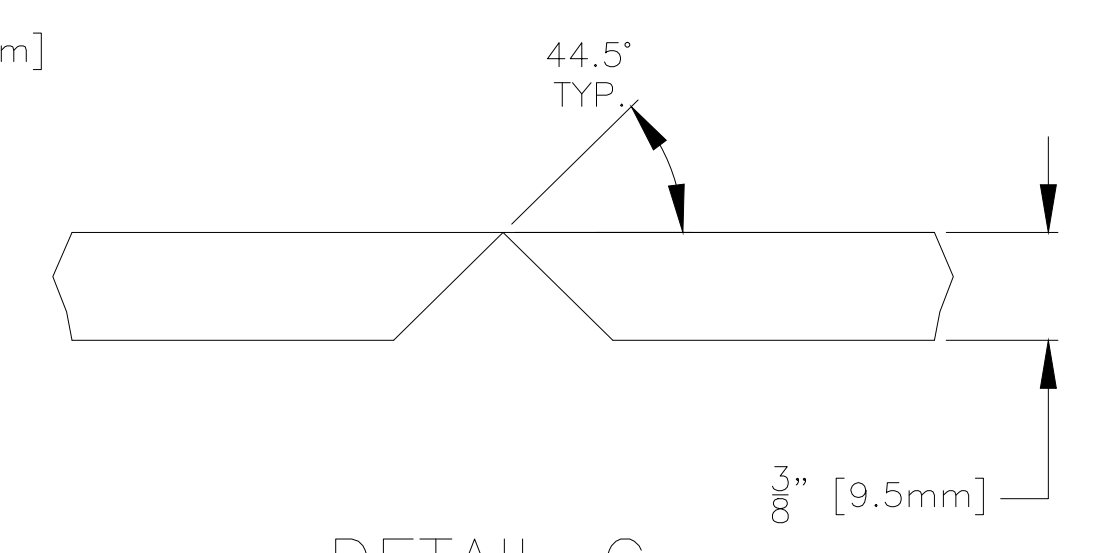


Qty.	Style	Actual "D"	"D" Tolerance
2	PLAIN	SEE TABLE	+1/16" [1.6mm] -0" [0mm]

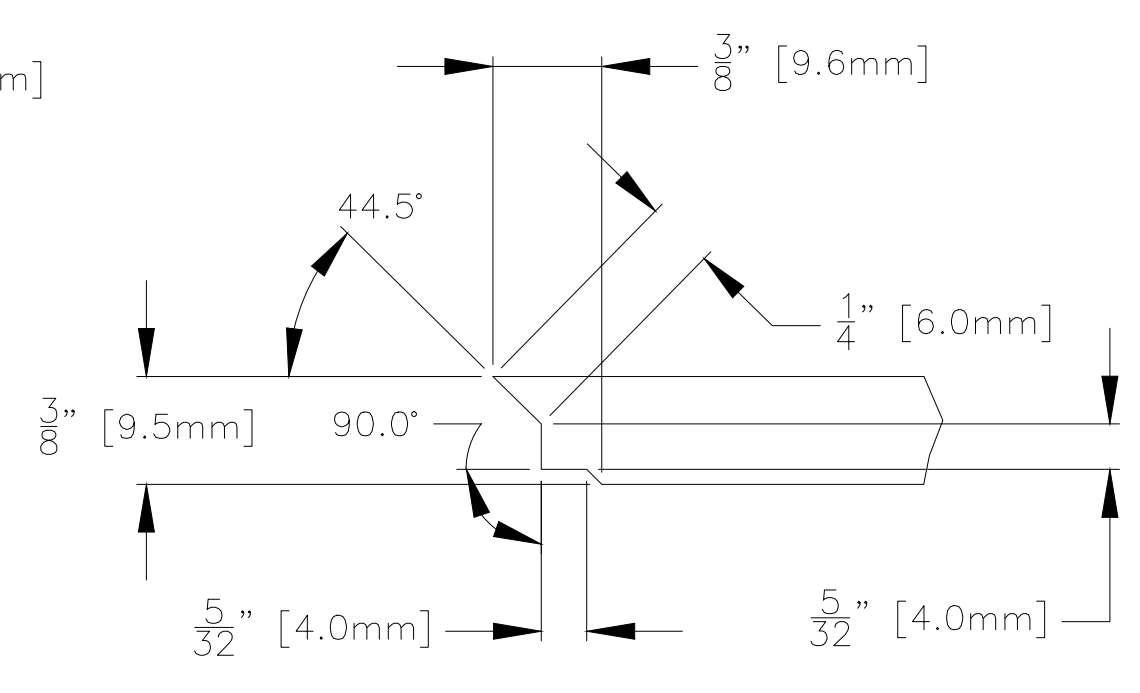
PLAIN BASE DIMENSIONS



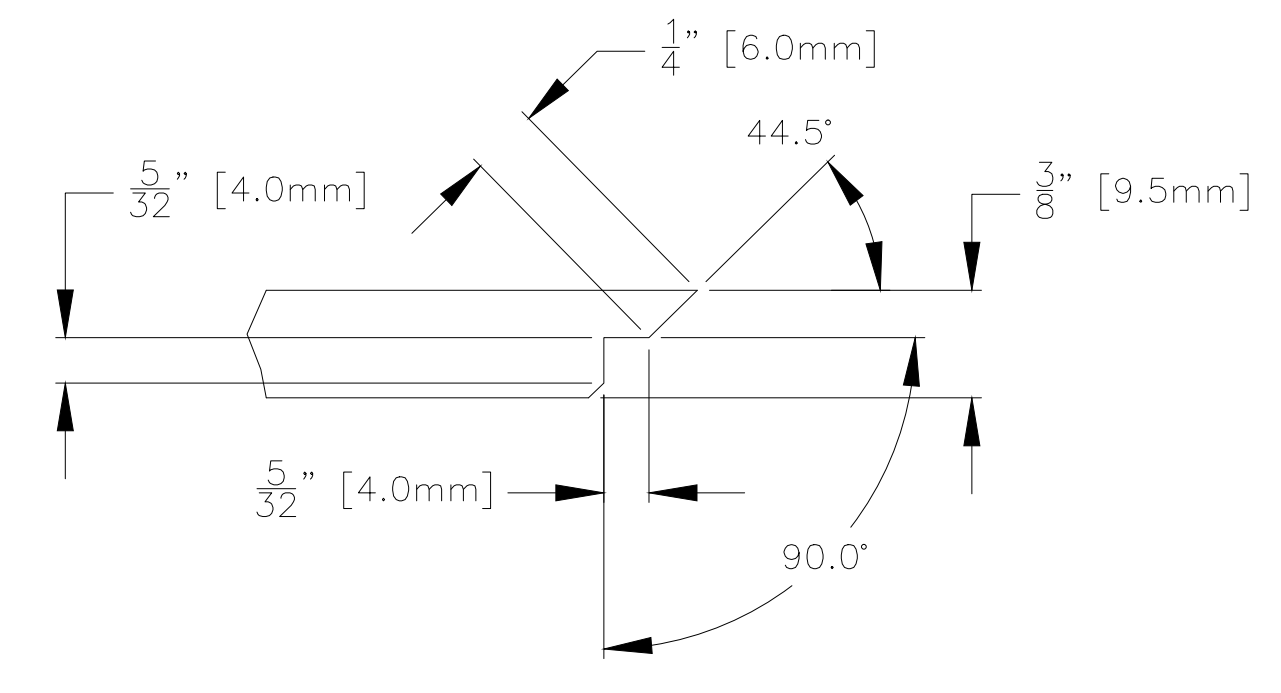
SECTION D-D
SCALE: 1/2" = 1"



DETAIL C
SCALE: 1.5" = 1"



DETAIL A
SCALE: 1.5" = 1"



DETAIL B
SCALE: 1.5" = 1"

FYRON

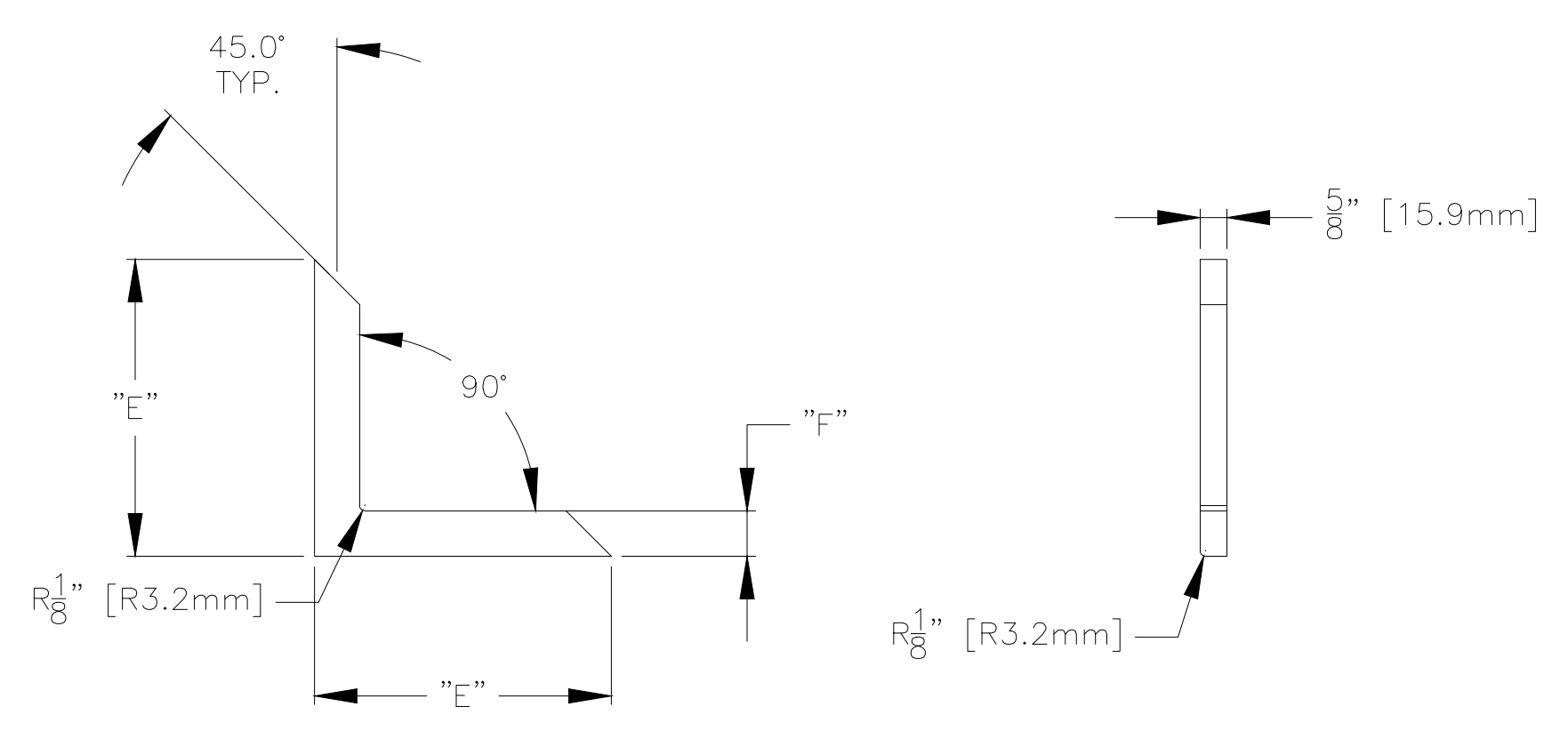
TITLE PRO SELECT SQUARE FLAT (SFT)
PRO SELECT COLUMN WRAP SQUARE FLAT KIT

SIZE D	QUOTED ITEM NUMBER	DRWG NO.	REV 0
DRAWN BY HL	DATE 1/9/18	CHECKED BY	CHECKED BY
SCALE NONE	DO NOT SCALE DRAWING	SHEET 1 OF 2	

UNLESS OTHERWISE SPECIFIED, ALL DIMENSIONS ARE IN INCHES

PART NUMBER (Part Number)	3/8" thick COLUMN (-SA Part Number)	Nominal "A"	Actual "A"	"A" Tolerance	Nominal/Actual "B"	"B" TOLERANCE	3/8" thick CAP (-SA Part Number)	Style Cap	Actual "C"	"C" Tolerance	3/8" thick BASE (-SA Part Number)	Style Base	Actual "D"	"D" Tolerance
CWPR6X72SFT	CW3NTPL6X6X72-SA	6"	5 3/4" [146.1mm]	+0" [0mm] -1/16" [1.6mm]	72" [1828.8mm]	+1/4" [6.4mm] -0" [0mm]	CW6PL3CAP-SA	PLAIN	5 7/8" [149.2mm]	+1/16" [1.6mm] -0" [0mm]	CW6PL3BASE-SA	PLAIN	5 7/8" [149.2mm]	+1/16" [1.6mm] -0" [0mm]
CWPR6X96SFT	CW3NTPL6X6X96-SA	6"	5 3/4" [146.1mm]	+0" [0mm] -1/16" [1.6mm]	96" [2438.4mm]	+1/4" [6.4mm] -0" [0mm]	CW6PL3CAP-SA	PLAIN	5 7/8" [149.2mm]	+1/16" [1.6mm] -0" [0mm]	CW6PL3BASE-SA	PLAIN	5 7/8" [149.2mm]	+1/16" [1.6mm] -0" [0mm]
CWPR6X108SFT	CW3NTPL6X6X108-SA	6"	5 3/4" [146.1mm]	+0" [0mm] -1/16" [1.6mm]	108" [2743.2mm]	+1/4" [6.4mm] -0" [0mm]	CW6PL3CAP-SA	PLAIN	5 7/8" [149.2mm]	+1/16" [1.6mm] -0" [0mm]	CW6PL3BASE-SA	PLAIN	5 7/8" [149.2mm]	+1/16" [1.6mm] -0" [0mm]
CWPR6X120SFT	CW3NTPL6X6X120-SA	6"	5 3/4" [146.1mm]	+0" [0mm] -1/16" [1.6mm]	120" [3048.0mm]	+1/4" [6.4mm] -0" [0mm]	CW6PL3CAP-SA	PLAIN	5 7/8" [149.2mm]	+1/16" [1.6mm] -0" [0mm]	CW6PL3BASE-SA	PLAIN	5 7/8" [149.2mm]	+1/16" [1.6mm] -0" [0mm]
CWPR6X144SFT	CW3NTPL6X6X144-SA	6"	5 3/4" [146.1mm]	+0" [0mm] -1/16" [1.6mm]	144" [3657.6mm]	+1/4" [6.4mm] -0" [0mm]	CW6PL3CAP-SA	PLAIN	5 7/8" [149.2mm]	+1/16" [1.6mm] -0" [0mm]	CW6PL3BASE-SA	PLAIN	5 7/8" [149.2mm]	+1/16" [1.6mm] -0" [0mm]
CWPR8X72SFT	CW3NTPL8X8X72-SA	8"	7 3/4" [196.9mm]	+0" [0mm] -1/16" [1.6mm]	72" [1828.8mm]	+1/4" [6.4mm] -0" [0mm]	CW8PL3CAP-SA	PLAIN	7 7/8" [200.0mm]	+1/16" [1.6mm] -0" [0mm]	CW8PL3BASE-SA	PLAIN	7 7/8" [200.0mm]	+1/16" [1.6mm] -0" [0mm]
CWPR8X96SFT	CW3NTPL8X8X96-SA	8"	7 3/4" [196.9mm]	+0" [0mm] -1/16" [1.6mm]	96" [2438.4mm]	+1/4" [6.4mm] -0" [0mm]	CW8PL3CAP-SA	PLAIN	7 7/8" [200.0mm]	+1/16" [1.6mm] -0" [0mm]	CW8PL3BASE-SA	PLAIN	7 7/8" [200.0mm]	+1/16" [1.6mm] -0" [0mm]
CWPR8X108SFT	CW3NTPL8X8X108-SA	8"	7 3/4" [196.9mm]	+0" [0mm] -1/16" [1.6mm]	108" [2743.2mm]	+1/4" [6.4mm] -0" [0mm]	CW8PL3CAP-SA	PLAIN	7 7/8" [200.0mm]	+1/16" [1.6mm] -0" [0mm]	CW8PL3BASE-SA	PLAIN	7 7/8" [200.0mm]	+1/16" [1.6mm] -0" [0mm]
CWPR8X120SFT	CW3NTPL8X8X120-SA	8"	7 3/4" [196.9mm]	+0" [0mm] -1/16" [1.6mm]	120" [3048.0mm]	+1/4" [6.4mm] -0" [0mm]	CW8PL3CAP-SA	PLAIN	7 7/8" [200.0mm]	+1/16" [1.6mm] -0" [0mm]	CW8PL3BASE-SA	PLAIN	7 7/8" [200.0mm]	+1/16" [1.6mm] -0" [0mm]
CWPR8X144SFT	CW3NTPL8X8X144-SA	8"	7 3/4" [196.9mm]	+0" [0mm] -1/16" [1.6mm]	144" [3657.6mm]	+1/4" [6.4mm] -0" [0mm]	CW8PL3CAP-SA	PLAIN	7 7/8" [200.0mm]	+1/16" [1.6mm] -0" [0mm]	CW8PL3BASE-SA	PLAIN	7 7/8" [200.0mm]	+1/16" [1.6mm] -0" [0mm]
CWPR10X72SFT	CW3NTPL10X10X72-SA	10"	9 3/4" [247.7mm]	+0" [0mm] -1/16" [1.6mm]	72" [1828.8mm]	+1/4" [6.4mm] -0" [0mm]	CW10PL3CAP-SA	PLAIN	9 7/8" [250.8mm]	+1/16" [1.6mm] -0" [0mm]	CW10PL3BASE-SA	PLAIN	9 7/8" [250.8mm]	+1/16" [1.6mm] -0" [0mm]
CWPR10X96SFT	CW3NTPL10X10X96-SA	10"	9 3/4" [247.7mm]	+0" [0mm] -1/16" [1.6mm]	96" [2438.4mm]	+1/4" [6.4mm] -0" [0mm]	CW10PL3CAP-SA	PLAIN	9 7/8" [250.8mm]	+1/16" [1.6mm] -0" [0mm]	CW10PL3BASE-SA	PLAIN	9 7/8" [250.8mm]	+1/16" [1.6mm] -0" [0mm]
CWPR10X108SFT	CW3NTPL10X10X108-SA	10"	9 3/4" [247.7mm]	+0" [0mm] -1/16" [1.6mm]	108" [2743.2mm]	+1/4" [6.4mm] -0" [0mm]	CW10PL3CAP-SA	PLAIN	9 7/8" [250.8mm]	+1/16" [1.6mm] -0" [0mm]	CW10PL3BASE-SA	PLAIN	9 7/8" [250.8mm]	+1/16" [1.6mm] -0" [0mm]
CWPR10X120SFT	CW3NTPL10X10X120-SA	10"	9 3/4" [247.7mm]	+0" [0mm] -1/16" [1.6mm]	120" [3048.0mm]	+1/4" [6.4mm] -0" [0mm]	CW10PL3CAP-SA	PLAIN	9 7/8" [250.8mm]	+1/16" [1.6mm] -0" [0mm]	CW10PL3BASE-SA	PLAIN	9 7/8" [250.8mm]	+1/16" [1.6mm] -0" [0mm]
CWPR10X144SFT	CW3NTPL10X10X144-SA	10"	9 3/4" [247.7mm]	+0" [0mm] -1/16" [1.6mm]	144" [3657.6mm]	+1/4" [6.4mm] -0" [0mm]	CW10PL3CAP-SA	PLAIN	9 7/8" [250.8mm]	+1/16" [1.6mm] -0" [0mm]	CW10PL3BASE-SA	PLAIN	9 7/8" [250.8mm]	+1/16" [1.6mm] -0" [0mm]
CWPR12X72SFT	CW3NTPL12X12X72-SA	12"	11 3/4" [298.5mm]	+0" [0mm] -1/16" [1.6mm]	72" [1828.8mm]	+1/4" [6.4mm] -0" [0mm]	CW12PL3CAP-SA	PLAIN	11 7/8" [301.6mm]	+1/16" [1.6mm] -0" [0mm]	CW12PL3BASE-SA	PLAIN	11 7/8" [301.6mm]	+1/16" [1.6mm] -0" [0mm]
CWPR12X96SFT	CW3NTPL12X12X96-SA	12"	11 3/4" [298.5mm]	+0" [0mm] -1/16" [1.6mm]	96" [2438.4mm]	+1/4" [6.4mm] -0" [0mm]	CW12PL3CAP-SA	PLAIN	11 7/8" [301.6mm]	+1/16" [1.6mm] -0" [0mm]	CW12PL3BASE-SA	PLAIN	11 7/8" [301.6mm]	+1/16" [1.6mm] -0" [0mm]
CWPR12X108SFT	CW3NTPL12X12X108-SA	12"	11 3/4" [298.5mm]	+0" [0mm] -1/16" [1.6mm]	108" [2743.2mm]	+1/4" [6.4mm] -0" [0mm]	CW12PL3CAP-SA	PLAIN	11 7/8" [301.6mm]	+1/16" [1.6mm] -0" [0mm]	CW12PL3BASE-SA	PLAIN	11 7/8" [301.6mm]	+1/16" [1.6mm] -0" [0mm]
CWPR12X120SFT	CW3NTPL12X12X120-SA	12"	11 3/4" [298.5mm]	+0" [0mm] -1/16" [1.6mm]	120" [3048.0mm]	+1/4" [6.4mm] -0" [0mm]	CW12PL3CAP-SA	PLAIN	11 7/8" [301.6mm]	+1/16" [1.6mm] -0" [0mm]	CW12PL3BASE-SA	PLAIN	11 7/8" [301.6mm]	+1/16" [1.6mm] -0" [0mm]
CWPR12X144SFT	CW3NTPL12X12X144-SA	12"	11 3/4" [298.5mm]	+0" [0mm] -1/16" [1.6mm]	144" [3657.6mm]	+1/4" [6.4mm] -0" [0mm]	CW12PL3CAP-SA	PLAIN	11 7/8" [301.6mm]	+1/16" [1.6mm] -0" [0mm]	CW12PL3BASE-SA	PLAIN	11 7/8" [301.6mm]	+1/16" [1.6mm] -0" [0mm]

PART NUMBER (Part Number)	5/8" thick CLEAT (-SA Part Number)	Style Cleat	"E"	"E" Tolerance	"F"	1/2" thick NAILING BLOCK (-SA Part Number)	Nailing Block Length
CWPR6X72SFT	CW6CLT1/2-SA	PLAIN	4 31/32" [126mm]	+1/16" [1.6mm] -0" [0mm]	1/2"	CW72NBLOCKPRO-SA	68" [1727.2mm]
CWPR6X96SFT	CW6CLT1/2-SA	PLAIN	4 31/32" [126mm]	+1/16" [1.6mm] -0" [0mm]	1/2"	CW96NBLOCKPRO-SA	92" [2336.8mm]
CWPR6X108SFT	CW6CLT1/2-SA	PLAIN	4 31/32" [126mm]	+1/16" [1.6mm] -0" [0mm]	1/2"	CW108NBLOCKPRO-SA	104" [2641.6mm]
CWPR6X120SFT	CW6CLT1/2-SA	PLAIN	4 31/32" [126mm]	+1/16" [1.6mm] -0" [0mm]	1/2"	CW120NBLOCKPRO-SA	116" [2946.4mm]
CWPR6X144SFT	CW6CLT1/2-SA	PLAIN	4 31/32" [126mm]	+1/16" [1.6mm] -0" [0mm]	1/2"	CW144NBLOCKPRO-SA	140" [3556.0mm]
CWPR8X72SFT	CW8CLT1-SA	PLAIN	6 31/32" [177mm]	+1/16" [1.6mm] -0" [0mm]	1-1/16"	CW72NBLOCKPRO-SA	68" [1727.2mm]
CWPR8X96SFT	CW8CLT1-SA	PLAIN	6 31/32" [177mm]	+1/16" [1.6mm] -0" [0mm]	1-1/16"	CW96NBLOCKPRO-SA	92" [2336.8mm]
CWPR8X108SFT	CW8CLT1-SA	PLAIN	6 31/32" [177mm]	+1/16" [1.6mm] -0" [0mm]	1-1/16"	CW108NBLOCKPRO-SA	104" [2641.6mm]
CWPR8X120SFT	CW8CLT1-SA	PLAIN	6 31/32" [177mm]	+1/16" [1.6mm] -0" [0mm]	1-1/16"	CW120NBLOCKPRO-SA	116" [2946.4mm]
CWPR8X144SFT	CW8CLT1-SA	PLAIN	6 31/32" [177mm]	+1/16" [1.6mm] -0" [0mm]	1-1/16"	CW144NBLOCKPRO-SA	140" [3556.0mm]
CWPR10X72SFT	CW10CLT1-SA	PLAIN	8 31/32" [228mm]	+1/16" [1.6mm] -0" [0mm]	1-1/16"	CW72NBLOCKPRO-SA	68" [1727.2mm]
CWPR10X96SFT	CW10CLT1-SA	PLAIN	8 31/32" [228mm]	+1/16" [1.6mm] -0" [0mm]	1-1/16"	CW96NBLOCKPRO-SA	92" [2336.8mm]
CWPR10X108SFT	CW10CLT1-SA	PLAIN	8 31/32" [228mm]	+1/16" [1.6mm] -0" [0mm]	1-1/16"	CW108NBLOCKPRO-SA	104" [2641.6mm]
CWPR10X144SFT	CW10CLT1-SA	PLAIN	8 31/32" [228mm]	+1/16" [1.6mm] -0" [0mm]	1-1/16"	CW144NBLOCKPRO-SA	140" [3556.0mm]
CWPR12X72SFT	CW12CLT1-SA	PLAIN	10 31/32" [279mm]	+1/16" [1.6mm] -0" [0mm]	1-1/16"	CW72NBLOCKPRO-SA	68" [1727.2mm]
CWPR12X96SFT	CW12CLT1-SA	PLAIN	10 31/32" [279mm]	+1/16" [1.6mm] -0" [0mm]	1-1/16"	CW96NBLOCKPRO-SA	92" [2336.8mm]
CWPR12X108SFT	CW12CLT1-SA	PLAIN	10 31/32" [279mm]	+1/16" [1.6mm] -0" [0mm]	1-1/16"	CW108NBLOCKPRO-SA	104" [2641.6mm]
CWPR12X120SFT	CW12CLT1-SA	PLAIN	10 31/32" [279mm]	+1/16" [1.6mm] -0" [0mm]	1-1/16"	CW120NBLOCKPRO-SA	116" [2946.4mm]
CWPR12X144SFT	CW12CLT1-SA	PLAIN	10 31/32" [279mm]	+1/16" [1.6mm] -0" [0mm]	1-1/16"	CW144NBLOCKPRO-SA	140" [3556.0mm]



CLEAT DIMENSIONS
NOTE: 4 CLEATS REQUIRED PER KIT

Qty.	Style	Actual "E"	"E" Tolerance
4	PLAIN	SEE TABLE	+1/16" [1.6mm] -0" [0mm]

FYPON

TITLE PRO SELECT SQUARE FLAT (SFT)
PRO SELECT COLUMN WRAP SQUARE FLAT KIT

SIZE D	QUOTED ITEM NUMBER	DRWG NO.	REV 0
DRAWN BY HL	DATE 1/9/18	CHECKED BY	CHECKED BY
SCALE NONE	DO NOT SCALE DRAWING	SHEET 2 OF 2	

UNLESS OTHERWISE SPECIFIED, ALL DIMENSIONS ARE IN INCHES