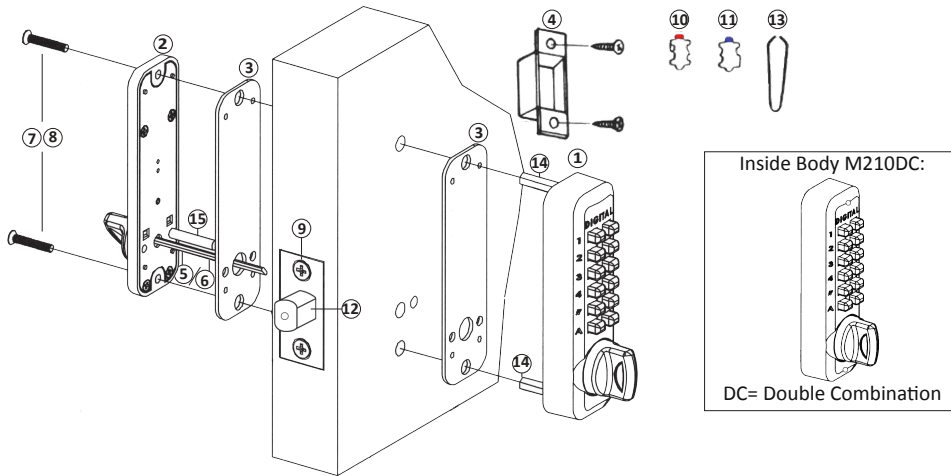


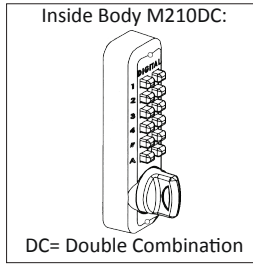


DIGITAL M-210 DEADBOLT INSTALLATION INSTRUCTIONS

M210 | M210 DC



No.	Part Name	M210
1	Outside Body	1
2	Inside Body	1
3	Rubber Trim Plate	2
4	Mortised Strike	1
5	Spindle 40-55mm.	1
6	Spindle 30-45mm.	1
7	Machine Screw M4 x 50mm	2
8	Machine Screw M4 x 35mm	2
9	Wood Screw M4	4
10	Extra Code Tumblers (Red)	1
11	Extra Non-Code Tumblers (Blue)	2
12	Adjustable Deadbolt 2 3/8" - 2 3/4"	1
13	Tweezers	1
14	Hex Bolts	2
15	Brass Support Pin	1



INSTALLATION INSTRUCTIONS:

Step 1: Change User Code/Combination (OPTIONAL)

To change user code/combination, see instructions on reverse side.

Step 2: Prep Door for Installation with Template (If door is prepped with 2 1/8" hole, use Bonus M210EZ Mount Kit and Instructions)

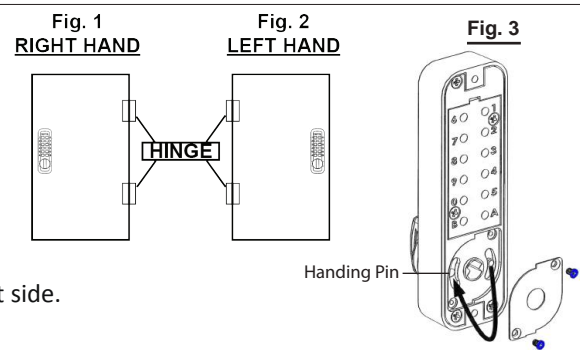
Place template (supplied) on door and fold along door's edge. Mark holes for 2 3/8" or 2 3/4" backset. Drill holes as instructed.

Step 3: Identify Door Handing

(The M210 is pre-handed for right-hand doors)

Right-Hand Doors – From exterior of door, hinges are on right-side (Fig. 1).
Left-Hand Doors – From exterior of door, hinges are on left-side (Fig. 2).

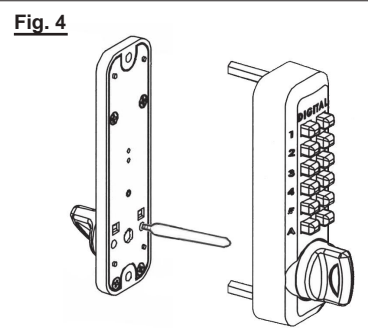
To change handing for left-hand doors, use a #1 phillips screwdriver to remove two blue screws and cover plate from Outside Body (Fig. 3). Move the handing pin from the right side of the outside body to the hole on the left side. Replace plate and screws.



*Note: For M210DC – Inside Body must be handed opposite from Outside Body.

Step 4: Install Support Pin & Hex Bolts (Fig. 4)

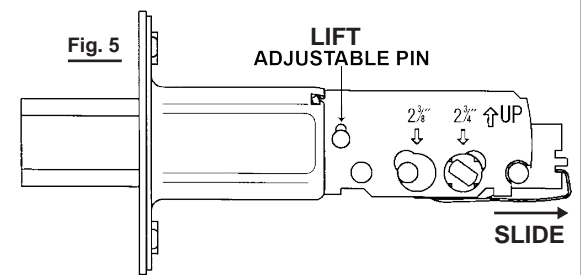
Install Brass Support Pin (#15) into either hole on Inside Body. Install/screw Hex Bolts (#14) into the top and bottom of the Outside Body.



*Note: For M210DC -- No support pin is used on double combination locks.

Step 5: Adjust Deadbolt (if necessary) & Install

Adjustable Deadbolt (#12) is preset to 2 3/8" backset. To adjust, lift pin and slide to 2 3/4" (Fig. 5). With arrow pointed UP, insert Deadbolt and secure with two (2) Wood Screws (#9).



Continued on Reverse Side

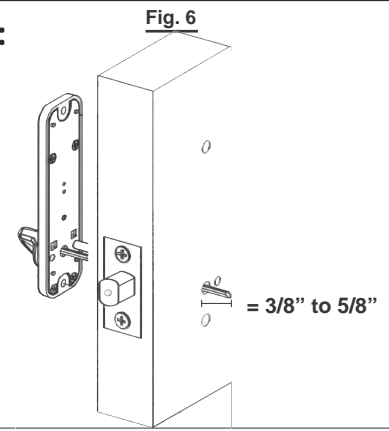
INSTALLATION INSTRUCTIONS CONTINUED:

Step 6: Verify Correct Spindle Length (Fig. 6)

With deadbolt (#12) installed, hold the Inside Body (#2) and Rubber Trim Plate (#3) to the door. Place Spindle (#5/6) through Deadbolt, into the Inside Body, as far as possible. Spindle should extend from exterior of door 3/8" min. to 5/8" max. If the 30-45mm spindle (#6) is too long, cut it to the correct length.

***IMPORTANT:**

If spindle extends less than 3/8" it may not engage the lock.
If spindle extends more than 5/8", it will cause the lock to bind.



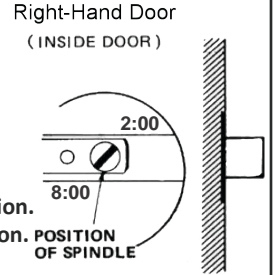
Step 7: Install the DIGITAL M210

Place the Rubber Trim Plate (#3) on the backside of the Outside Body (#1). Place the Outside Body on the door. The hex bolts (#14) should extend into the top and bottom holes. The Support Pin (#15) on the Inside Body should extend through the hole in the Deadbolt (#12). Insert the Spindle (#5/6) into the Outside Body (#1) ensuring it's in the proper angled position.

***IMPORTANT: SPINDLE POSITION/ANGLE**

RIGHT-HAND DOORS: From inside, place spindle through Deadbolt, into the Outside Body (#1) in the 2:00/8:00 position.

LEFT-HAND DOORS: From inside, place spindle through Deadbolt, into the Outside Body (#1) in the 10:00/4:00 position.

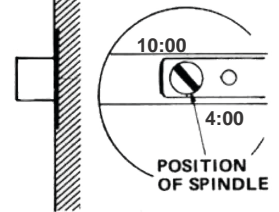


Right-Hand Door
(INSIDE DOOR)

Using a screwdriver, secure the lock to the door with the Screws (#7 or #8).
(Screw length is dependent on door thickness.)

Test the operation of the Deadbolt by turning the inside thumbturn.

Locate position where Deadbolt strikes door frame and install Mortised Strike (#4).



Left-Hand Door
(INSIDE DOOR)

Test your M210 Digital Door Lock before closing the door:

From Inside: Turn knob to lock, turn knob to unlock. For M210DC, use code to unlock.

From Outside: Turn knob to lock, use combination to unlock.

***NOTE: If combination is needed to lock, change handing (as described in Step #3).**

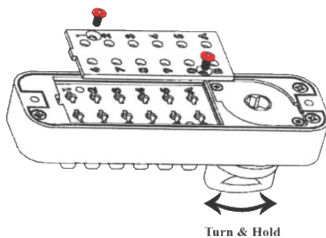
Your installation is now complete.



How to Change User Code/Combination

- Using a #2 screwdriver, remove the two (2) Red Screws.
- Carefully remove cover plate.

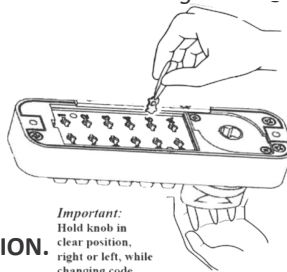
WARNING: Springs are attached to plate.



- TURN & HOLD thumb-turn to right or left 90° to release tumblers. **IMPORTANT: THUMB-TURN MUST be turned 90° and held when removing and inserting tumblers. Failure to do so will damage the lock and void the warranty.**

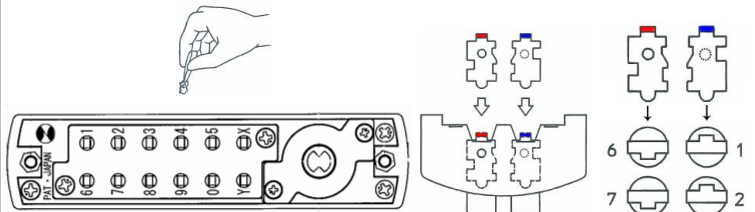
WARNING:

Do NOT force tumblers into position!

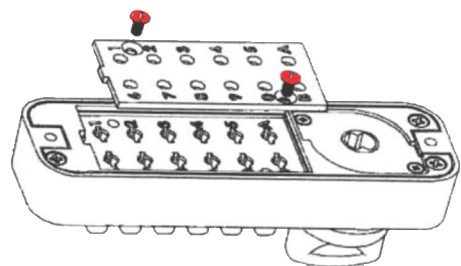


TURNING THUMBTURN 90°= CLEAR POSITION.

- With the thumb-turn held 90° to the right or left, remove/add **CODE (Red)** and **NONCODE (Blue)** tumblers to create the desired code. Ex: 3 Red = 3-Digit Code / 6 Red = 6-Digit Code
- After changing your code, release the thumb-turn to secure the tumblers in place.

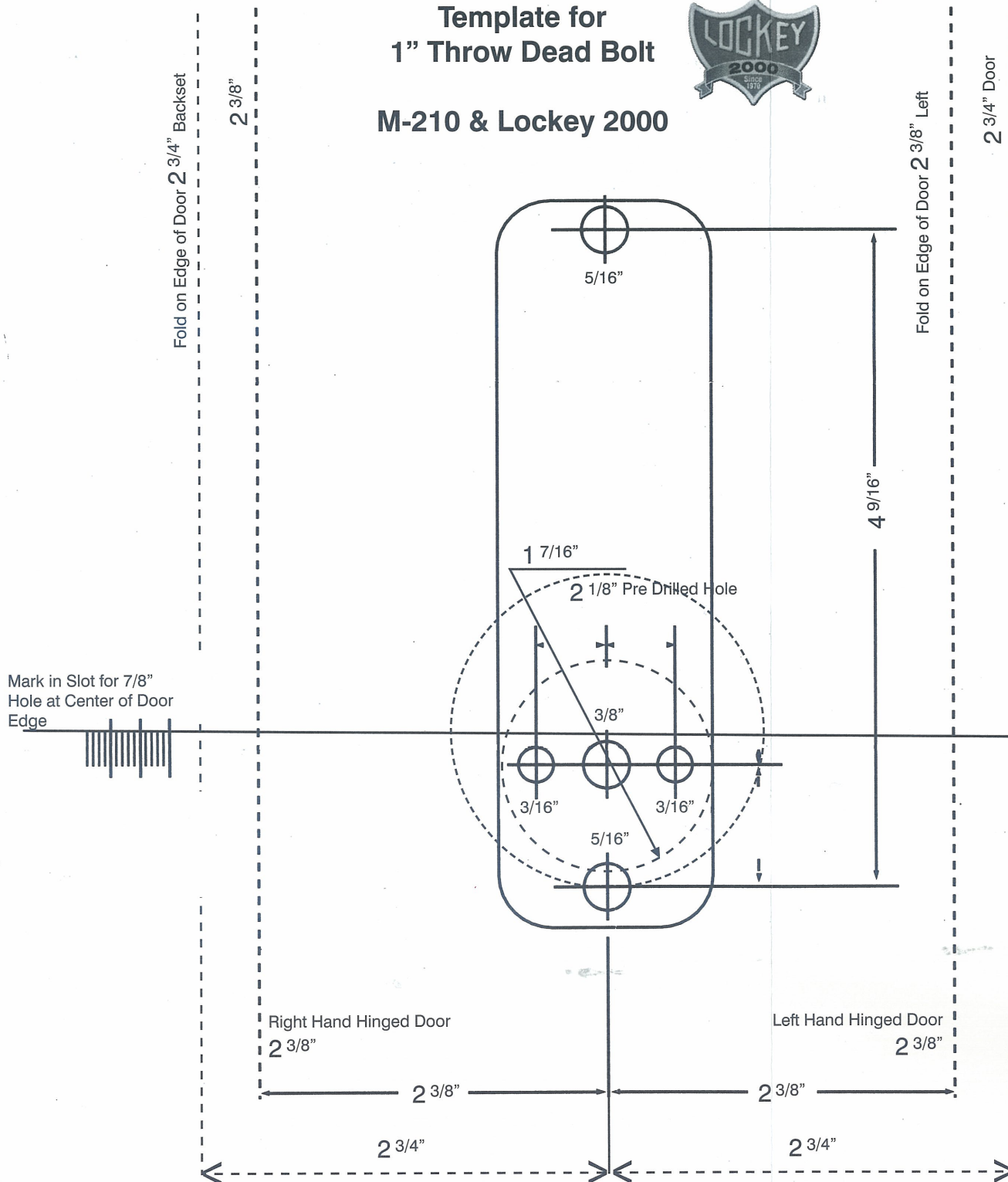


- Replace the cover plate and secure with two (2) Red Screws, using a #2 screwdriver.
- TEST CODE before installing/re-installing lock.



For more helpful tips and installation videos, visit www.LOCKEYUSA.com

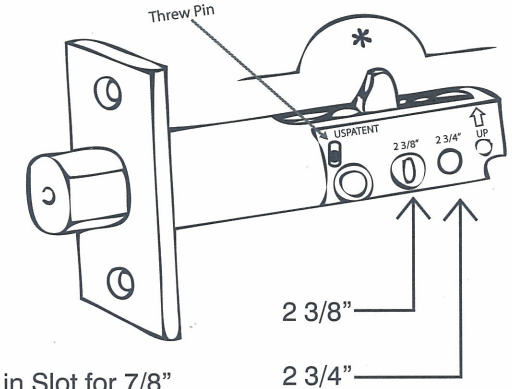
**Template for
1" Throw Dead Bolt
M-210 & Lockey 2000**



**Adjustable Dead Bolt
2 3/8" or 2 3/4"**

To Adjust Backset: Lift on the throw pin, move slotted hole to 2 3/4" setting by sliding inter slide toward back of dead bolt set.

Dead bolt is set to 2 3/8" backset from factory.



Mark in Slot for 7/8" Hole at Center of Door Edge

IMPORTANT

1. You must ensure that inside of 22mm (7/8") mortise hole is enlarged by moving wood drill up and down or using a small chisel – This is to give clearance for movement of 'CAM' which moves up as deadbolt is thrown (as shown in diagram below*) – check clearance required by turning spindle in deadbolt and view movement of cam.
2. Ensure you drill hole in door frame deep enough to accept the (1") throw.