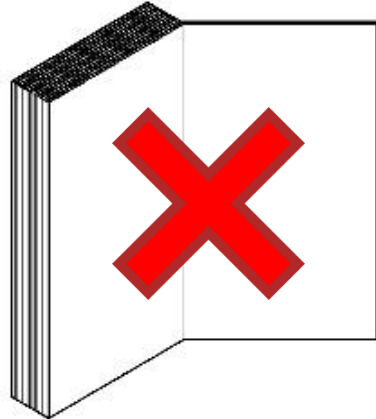




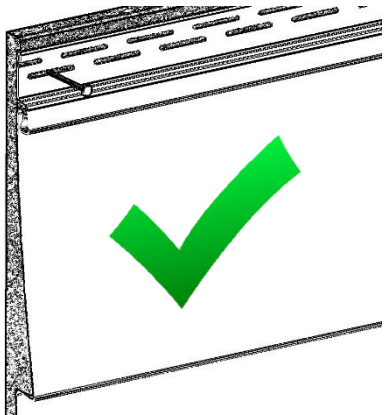
Insulated Siding Installation Guide

- This guide supplements conventional vinyl siding install instructions.
- It aids installation of both horizontally and vertically installed panels.
- Always consult and follow your local building code prior to installation.

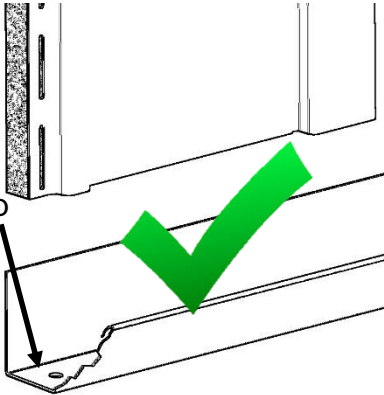
General



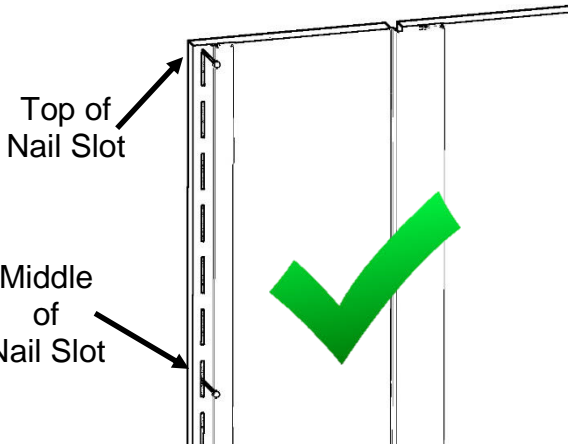
Fanfold-type underlayment is not necessary.



Nail insulated siding as you would conventional siding. Do not remove foam in nail slots.



Follow good weatherproofing practices (i.e. drill weep holes in bottom of J-channels)



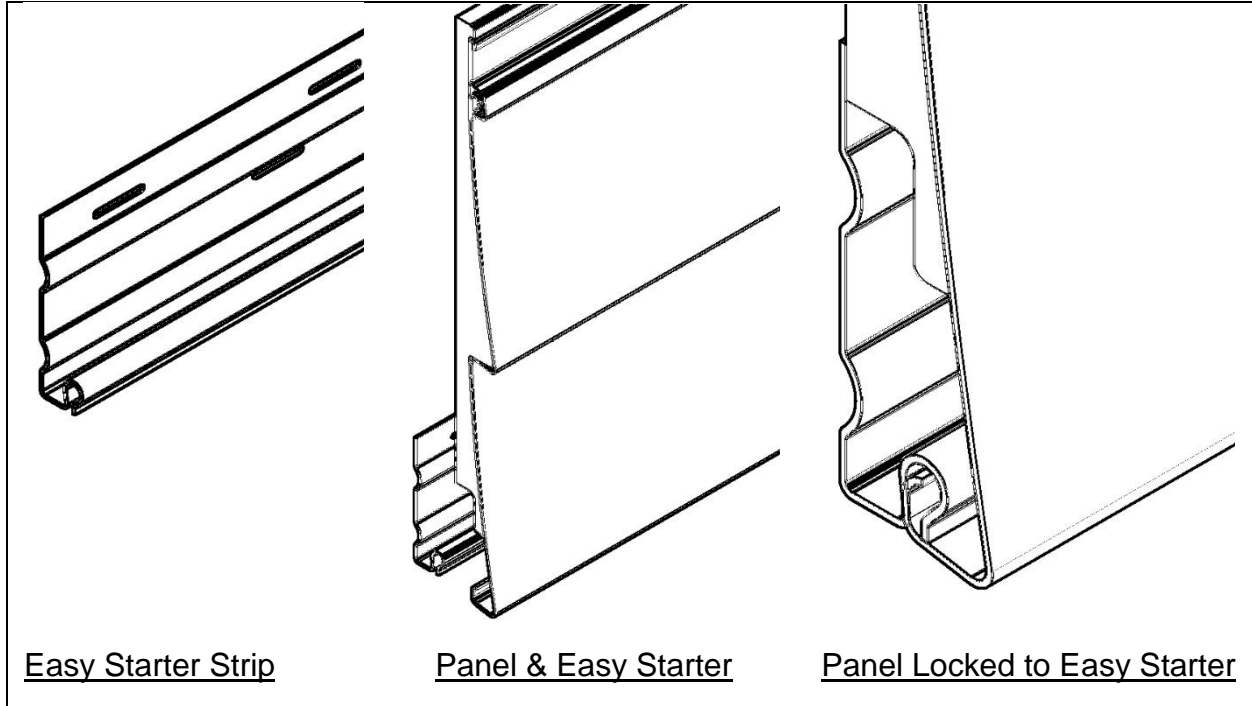
Top of Nail Slot

Middle of Nail Slot

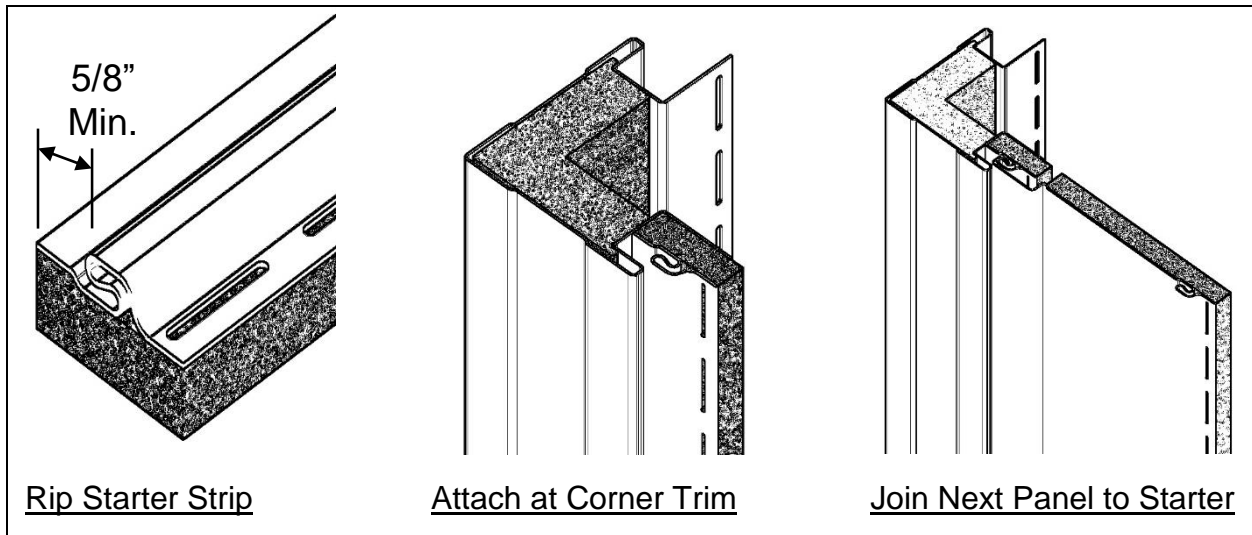
The uppermost nail should be in the top of nail slot on vertical siding. All other nails should be centered in the slot.



Starter Strips

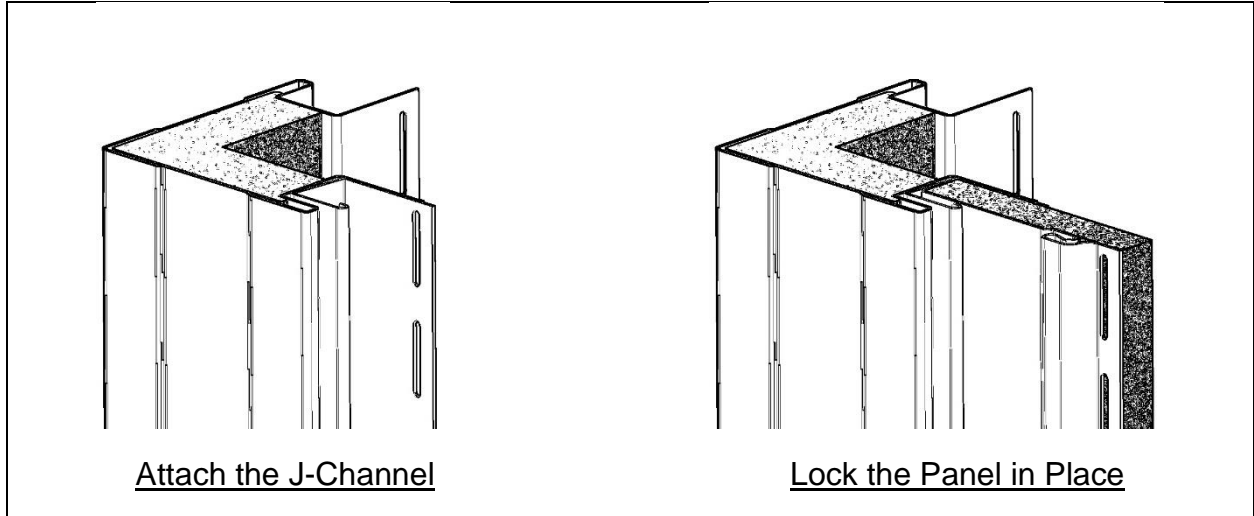


Horizontal siding can be started using the Easy Starter Strip shown above.



Vertical siding can be started by cutting a starter strip from a full panel and attaching the starter at the 4" (1-1/8" receiver) corner trim.

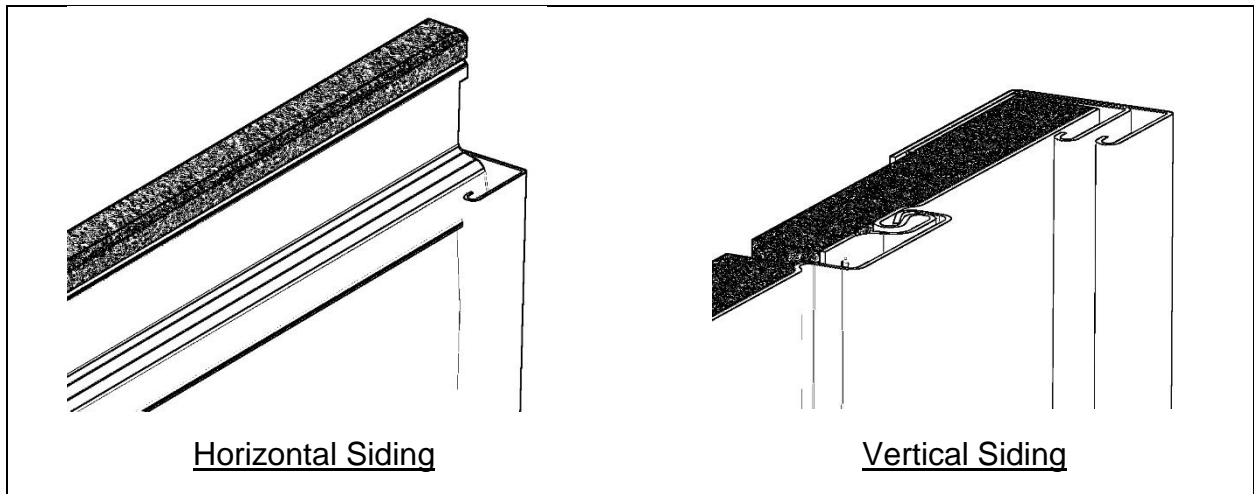
OR ...



Vertical siding can be started and/or ended using a 3/4" J-Channel.

- Using a snap-lock punch will help lock the panel and J-channel.
- Snap locks should be punched at no more than 6 inches apart. It is normal to deform or cut out a small amount of foam in order to create clearance for the snap lock tool.

Wall Openings

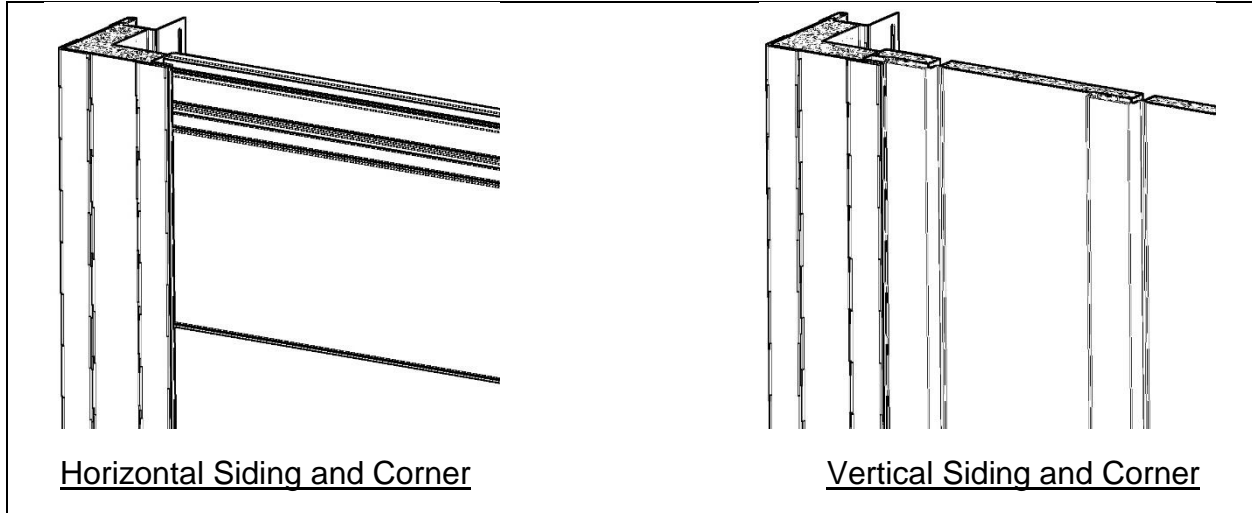


Use 1-1/8" J-channel to trim around wall openings (windows, doors, etc.)

- 3/4" J-Channel can be fit inside 1-1/8" J-Channel to accommodate the vertical siding.
- Use conventional siding installation practices to install J-Channel.

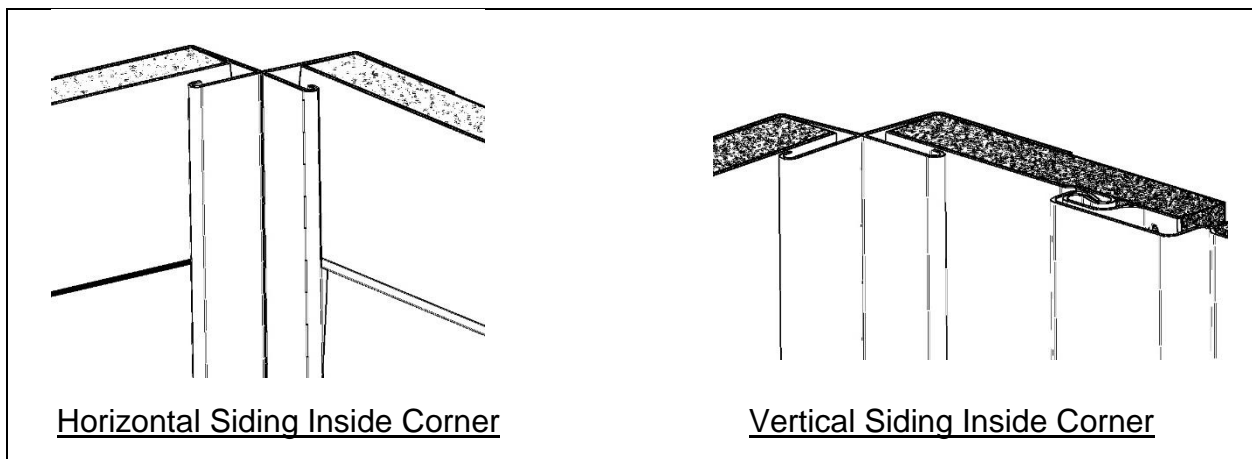


Corners



Outside Corner– use outside corner trim.

- Use 4" outside corner trim (1-1/8" receiver) w/ preinstalled foam insert.
- Vertical siding corners shown in starter strip methods above.



Inside Corner – use two J-channels.

- Use 1-1/8" J-Channel for horizontal siding
- Use 3/4" J-Channel for vertical siding
- Using a snap-lock punch will help lock the panel and J-channel.
- Locking tabs should be punched no more than 6 inches apart.
It is normal to deform or cut out a small amount of foam in order to create clearance for the snap lock tool.