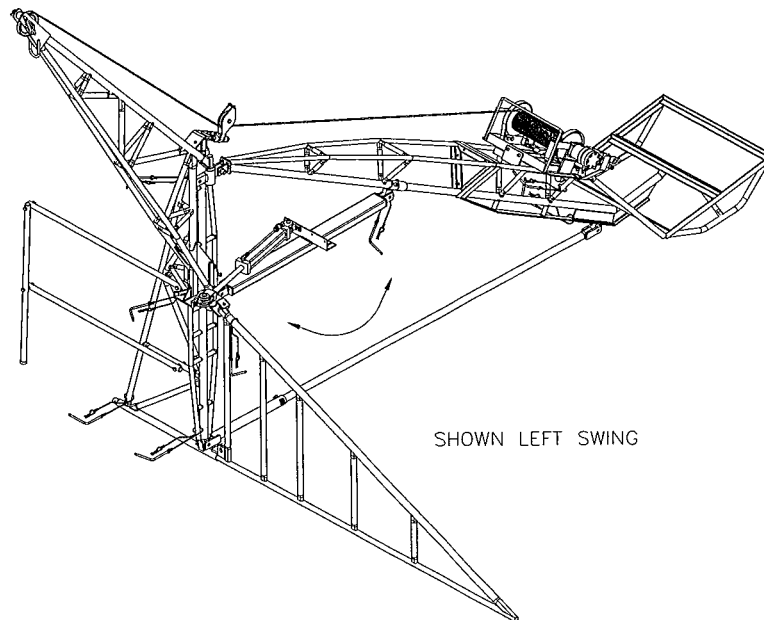
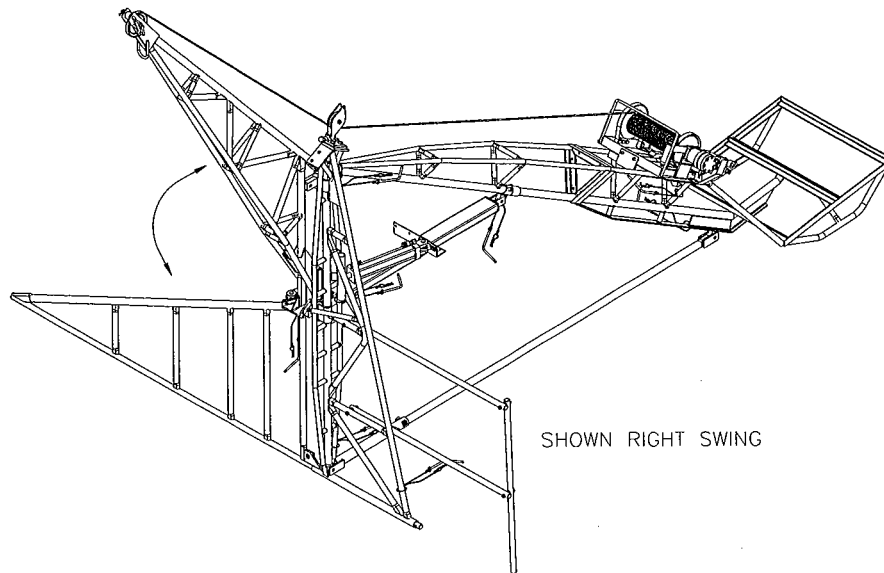


RGC[®]

REIMANN & GEORGER CORP.
HOISTING - MARINE - CONSTRUCTION

HS2000 HYDRAULIC LEFT OR RIGHT SWING HOIST STANDARDS



REIMANN & GEORGER CORPORATION
HOISTING PRODUCTS

BUFFALO, NY
07/14/14

2 SPECIFICATIONS

2.1 TECHNICAL DATA

HS2000 Bi-Dir Hydraulic Left or Right Swing Hoist

The following specifications apply to the hoist assembly. Detailed specifications for the HydraWinch and the HydraPak are in the separate manuals for these items.

	U.S.	ONTARIO
Hoist capacity (2 parts of line):	2000 lbs.	907 kg.
Hoist speed (1 part of line):	up to 165 fpm	up to 50 mpm
Hoist wire rope supplied	200 ft.	61 m
Hoist wire rope—maximum length*	300 ft.	91 m
Boom overhangs roof	5 ft.	1.5 m
Maximum height under hook to roof deck	12 ft.	3.7 m
Assembly weights:		
Boom weight:	86 lbs.	39 kg.
Counterweight Leg assembly weight:	140 lbs.	63 kg.
Front Leg, Stabilizer assembly weight:	130 lbs.	59 kg.
Winch weight:	100 lbs.	45 kg.
Brace weight:	17 lbs.	8 kg.
Socket weight:	11 lbs.	5 kg.
Cylinder mount weight:	27 lbs.	12 kg.
Cylinder weight:	21 lbs.	10 kg.
Total weight of above parts:	532 lbs.	242 kg.
HydraPak H1158S	278 lbs.	126.2 kg.
Counterweight required	2000 lbs.	1134 kg.**
Ballast blocks required	40	46**
Ballast block weight (minimum)	50 lbs.	23 kg.

* Consult factory for longer wire rope lengths.

** Counterweight required for Ontario is greater due to counterweight ratio of 1.25 to 1.

2.2 NAMEPLATE AND SERIAL NUMBER TAG

It is important to identify your hoist completely and accurately whenever ordering spare parts or requesting assistance in service. The hoist has a product nameplate located on the boom. The label shows the model and serial numbers and capacity rating. The hoist label should appear as the sample nameplate shown in Figure 2-1. Record the model and serial numbers, and capacity rating for future reference.

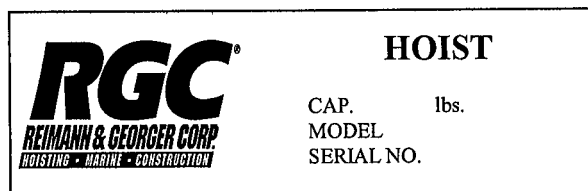


Figure 2-1.
Typical Hoist Product Nameplate

MODEL HS2000

SERIAL NUMBER _____

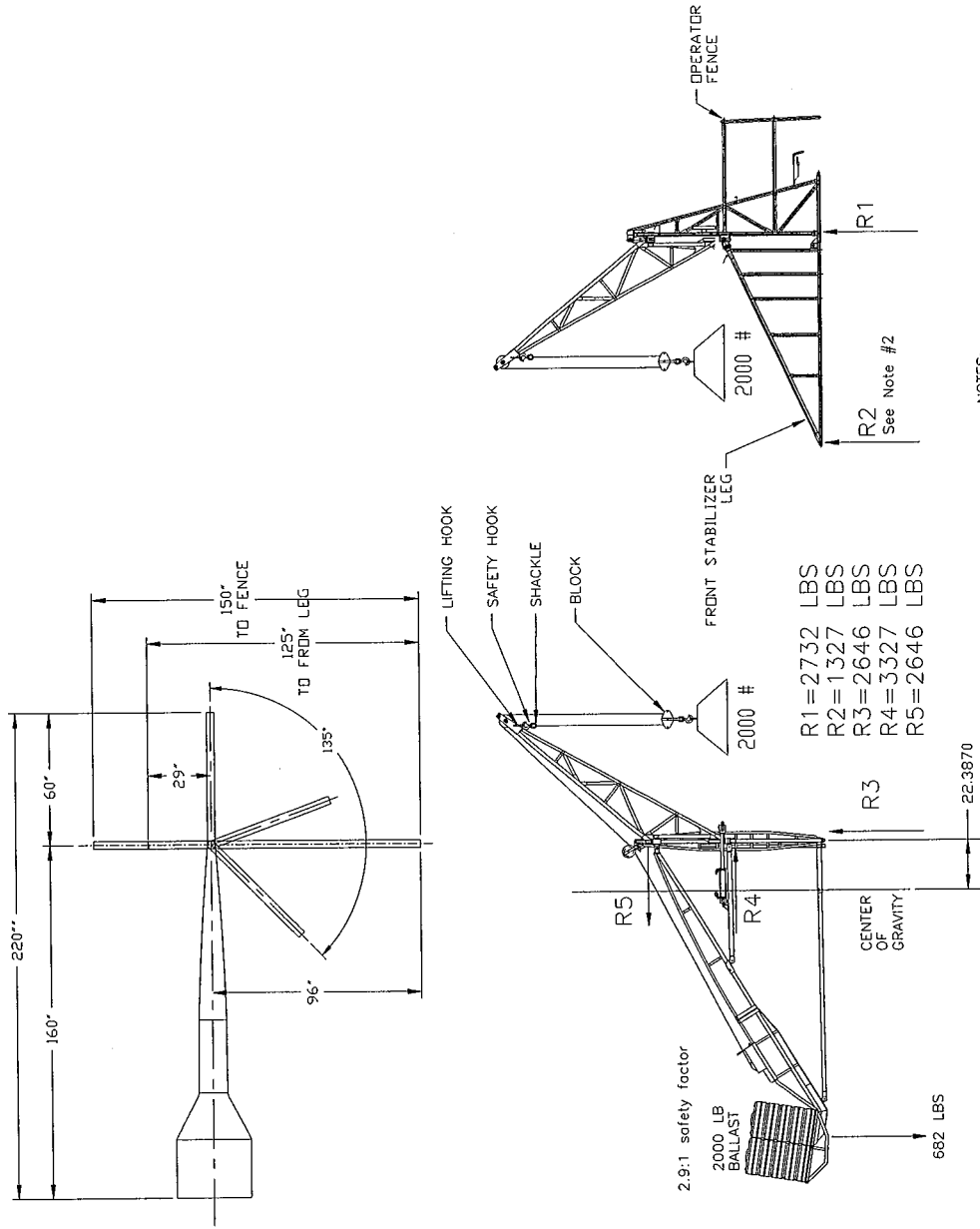
CAPACITY RATING 2000 LBS.

3 HS2000 LEG LOADING

3.1 TECHNICAL DATA

HS2000 Bi-Dir Hydraulic Left or Right Swing Hoist

The following data apply to the hoist assembly. Detailed specifications for the HydraWinch and the HydraPak are in the separate manuals for these items.



- NOTES:
- 1). DATA FROM REPORT DATED 4/16/1986 FROM PAUL GULKOWSKI, Ph.D., P.E.
 - 2). REACTION FORCE R2 OCCURS AT ITS LARGEST VALUE WHEN BOOM IS DIRECTLY OVER THE FRONT STABILIZER LEG.