

LADDER SAFETY DOCK - COMMERCIAL

Part ID: 70831

The Ladder Safety Dock (LSD) is ideal for securing a ladder safely when accessing a building. As a permanent or temporary system, the LSD attaches to the roof edge, providing a dual sided, tie-off point, making the accessing of a roof safer and easier. The LSD prevents damage from ladders leaning on eaves and roof edges. The LSD enables use on flat, low sloped and parapet type roof tops. The LSD complies with OSHA standards for proper ladder securement.

Features:

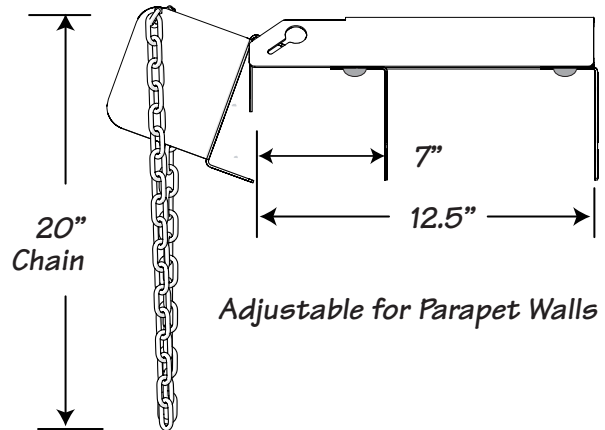
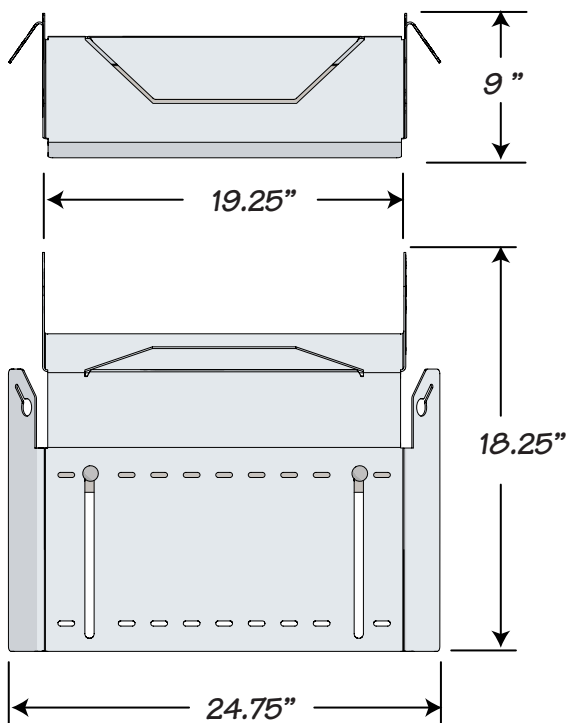
- OSHA compliant ladder tie-off
- Strong, lightweight and non-corrosive aluminum
- Accommodates most ladders
- Installs on a flat, sloped and parapet roofs
- Added safety chains for securement
- Slip resistant
- Easy to install
- Fasteners included

Materials:

1/8" Diamond Plate Aluminum
Weight: 9 pounds



**MADE
★IN THE★
USA**



On Line
Instructions

E1760 Rev. 8/12 20